

OLG

Motion Sync.

Product Specifications



Innovative Thinking • Responsive Support • Open Communication

myolg.online

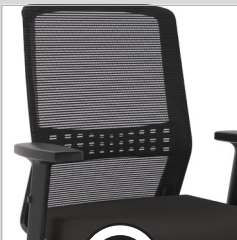
Motion Sync.

A simple, yet deceptively refined chair, the Motion Sync feels as much at home in the boardroom as it does on the office floor. The perfect marriage of form and function, the Motion Sync offer the user balanced movement and a dynamic fit.

Featuring a wrapped mesh backrest, high-density foam set cushion and intuitive synchro tilt mechanism, users will be comfortable no matter how they work.

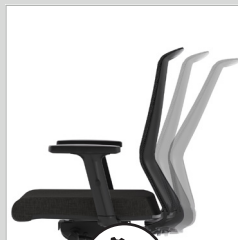
Available in proprietary Motion Felt (wool blend) upholstery, the Motion Sync is a perfect addition to any office.

Key Features



A. Mesh-Wrapped Backrest

A flexible mesh-wrapped backrest with removable lumbar support provides all day comfort.



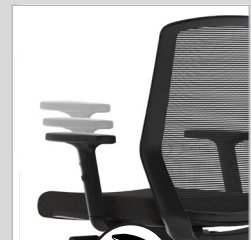
B. Synchro Tilt Mechanism

To ensure a smooth adjustment, an intuitive synchro mechanism tilts the seat as the back reclines.



C. Seat Slide

A smooth seat slide ensures adjustable comfort for all body types in every position.



D. Height-Adjustable Arms

Premium armrests can be configured at three different locking heights.

Motion Sync.

In Detail



Mesh Support Technology

Lightweight, elasticised mesh provides breathable, dynamic support.



Gas lift Springs

Premium quality gas lift for fast, reliable performance.



Lumbar Support

Moulded backrest for lumbar support.



Heavy-Duty Castors

Roll your way across the office floor.



Tilt Lock

Simple, tension adjustable tilt action with three different recline presets.

Mesh Support Technology

Lightweight, elasticised mesh provides breathable, dynamic support.

Backrest

Generous sized black mesh backrest.

Padded Armrests

Height adjustable padded armrests.

Lumbar Support

Moulded backrest for lumbar support.

Synchro Mechanism

Synchro tilt mechanism moves the seat in harmony with the back recline.

**8+ Hour
Comfort Rated**
molded and upholstered seat.

Gas Lift

Premium quality gas lift for fast, reliable performance.

Seat Slide
Super smooth seat slide for large and small users.

Base

Stylish black nylon star base.

Large 60mm Castors

Roll your way across the office floor.



* Refer to page 5 for Ratings & Certifications details.

Motion Sync.

Optional Upgrades



Motion Sync w/ Lumbar
No Arms



Motion Sync w/ Arms
and Lumbar



Motion Sync w/ Arms and
Lumbar - Motion Felt Fabric



Motion Sync w/ Drafting
Gas Lift - Chrome Foot Ring
Lumbar Removed

Motion Felt Seat Cover Colour Options



AS

Ash
Grey



ST

Stone
Grey



CL

Charcoal
Grey



DB

Dark
Blue



IC

Ice
Blue



EM

Emerald
Green



BB

Bumblebee
Yellow



AV

Avocado
Green



SO

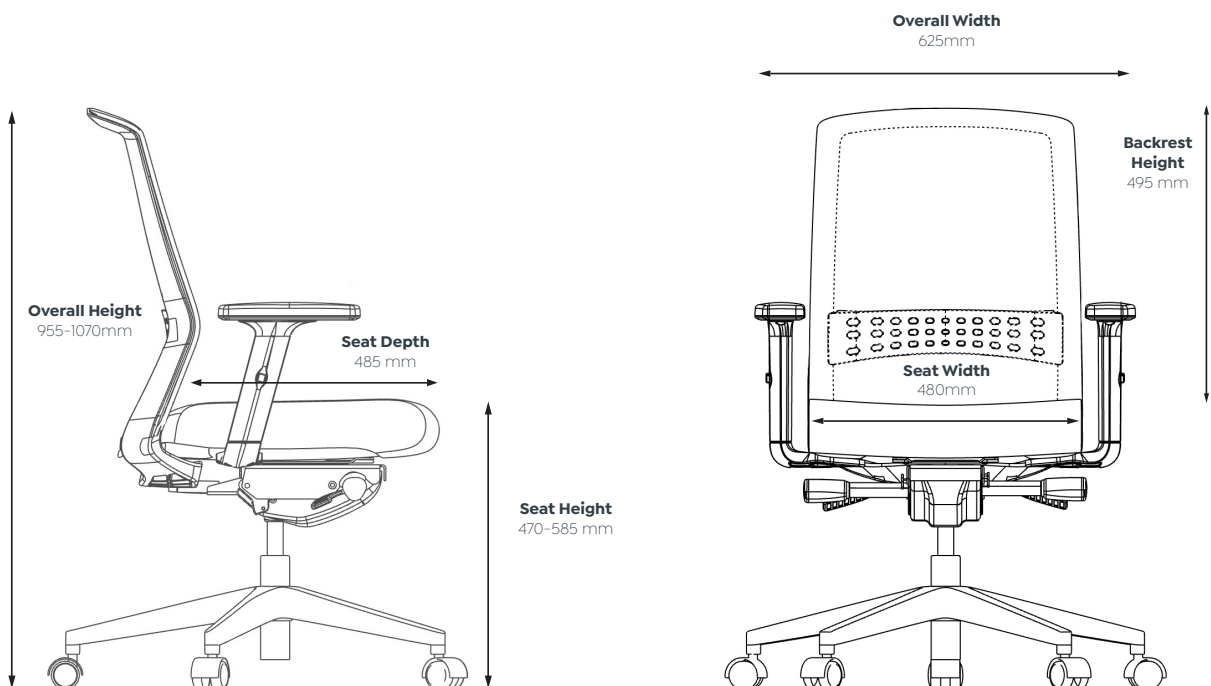
Sunset
Orange



CR

Chilli
Red

Dimension Specifications



OLG's Ratings & Certifications.



10 Year Warranty

OLG Warranty promises the original purchaser that it will repair or replace with comparable product, at its option and free of charge (for material and components), any product, part or component which fails under normal use over the duration of the specified warranty term (taken from the date of purchase). Normal commercial usage is defined as the equivalent of a single shift, 40 hour work-week.



Weight Rating

All seating products have an OLG endorsed 120kg minimum weight rating. All OLG seating products are designed with reference to relevant international standards, including ANSI/BIFMA and AS/NZS. These standards stipulate strength & durability requirements and give the user confidence about the product's longevity. OLG's ISO certified factories use propriety test rigs to issue OLG's own weight ratings for chairs.



ISO 14001

ISO 14001 Certification is the international standard that specifies requirements for an effective Environmental Management System (EMS). It provides a framework that OLG as an organization can follow. At OLG we are using this framework as an approach to continuous improvement across all environmental aspects of our business.



ISO 9001

ISO 9001 Certification is the world's most widely recognized Quality Management System (QMS). At OLG its our guiding principle to meet the expectations and needs of our customers through quality management systems that continually monitor and manage quality across all operations to deliver consistent performance and service.



AS/NZS 4801

AS/NZS 4801 is the benchmark to assess Occupational Health & Safety Management systems for organisations. This standard contains vital information about meeting legal requirements and invaluable guidance on how to establish sustained improvement in health and safety performance in your business.



GECA Certification

GECA (The Good Environmental Choice Australia) Ecolabelling Program, operates a national third-party, independently verified ecolabel, in conformance with Environmental labels and declarations (ISO 14024), that can be applied to a wide range of products and services. This certification gives you an independent, reliable and convenient way to select OLG products and services that are certified by GECA to deliver better environmental outcomes. Anvil and Axis (available to GECA specification by special request). EkoSystem approved as EKO Brand.



AFRDI Certification

AFRDI Certification is a set of standards covering strength, durability, stability and safety (and ergonomics in the case of desks and workstations). This means that OLG are accountable for maintaining the quality of our products, submitting them for regular auditing to ensure they meet the highest standards for commercial use. Applies to: Urban Mesh (Level 6 – Severe Commercial), Modulus Flip Table (Level 3 – Severe Commercial, tested with 1500 x 750 top and Agile+ Single Sided Dual Motor Electric Desk).



BIFMA Certification

BIFMA Certification focuses on safety and performance standards developed by the BIFMA Engineering Committee. The standards provide manufacturers, specifiers, and users with a common basis for evaluating safety, durability, and the structural adequacy of the specified furniture, independent of construction materials. The standards define specific tests, laboratory equipment to be used, the conditions of test, and the minimum acceptance levels to be used in evaluating these products. Applies to: Balance Executive, Balance Task, Optic Chair, Adapta Chair, Game Chair 4 leg, Game Chair 4 leg with seat and back pads, Game Sled, Game Sled with seat and back pads, Agile+, Agile Electric 2-Column single motor, Motion Sync



Australian Trusted Trader

Australian Trusted Trader Certification is a standard that rewards companies showing compliant behaviour, secure supply chain with strong security practices, to enjoy a wide range of trade facilitation benefits. OLG have held this status since 2017.



FSC

FSC is the leading catalyst and defining force for improved forest management and market transformation, shifting the global forest trend toward sustainable use, conservation, restoration, and respect for all. Applies to: Plantation timber legs



GREENGUARD Certification

A GREENGUARD Certification ensures that a product has met some of the world's most rigorous and comprehensive standards for low emissions of volatile organic compounds (VOCs) into indoor air. GREENGUARD Gold Certification offers certification criteria that considers safety factors to account for sensitive individuals (such as children and the elderly), and ensures that a product is acceptable for use in environments such as schools and healthcare facilities.

Motion Sync.

Cheat Sheet Quick Guide

Standard Features

Mesh support technology - lightweight, elasticised mesh provides breathable, dynamic support where you need it

Synchro tilt mechanism moves the seat in harmony with the back recline

Height adjustable padded armrests

2 lever - seat height and seat slide adjustment

Molded seat foam upholstered fabric with super smooth seat slide

Stylish black nylon star base

Suitable for task, executive, conference and boardroom seating

Large 60mm castors for ease of movement at a conference or training session

Removable adjustable lumbar

Optional Upgrades

Height adjustable arms

Drafting gas lift with chrome foot ring

Motion Felt seat covers

Dimensions

Seat Height 470-585 mm

Seat Width 480 mm

Seat Depth 485 mm

Overall Height 955-1070 mm

Upgrade Options



Motion Sync w/ Lumbar
No Arms



Motion Sync w/ Arms
and Lumbar



Motion Sync w/ Arms and
Lumbar - Motion Felt Fabric



Motion Sync w/ Drafting
Gas Lift - Chrome Foot Ring
Lumbar Removed

Colour Options - Motion Felt Fabric



Ash
Grey



Stone
Grey



Charcoal
Grey



Dark
Blue



Ice
Blue



Emerald
Green



Bumblebee
Yellow



Avocado
Green



Sunset
Orange



Chilli
Red





How can we be of help?
02 8188 2732

info@olgoffice.com

myolg.online
olgoffice.com
officedesigner.net
motionoffice.com
officefitoutcalculator.com.au
myolgpricelist.online
acoustiq.com.au

Innovative Thinking • Responsive Support • Open Communication