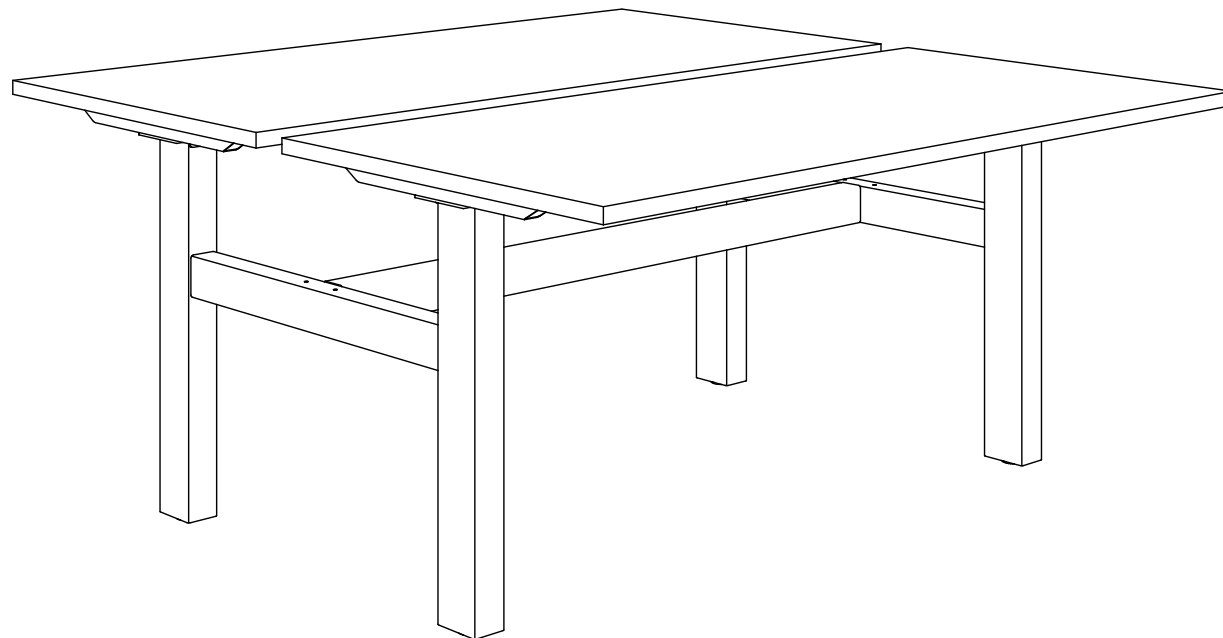




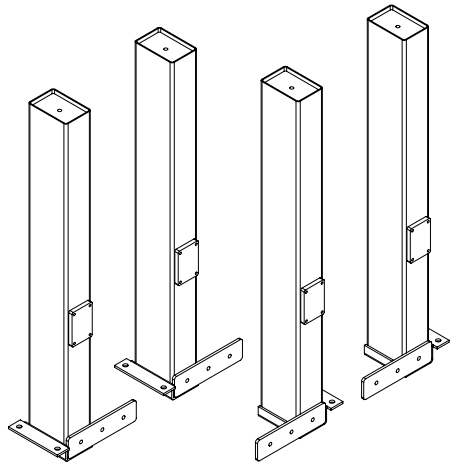
freeway

Agile

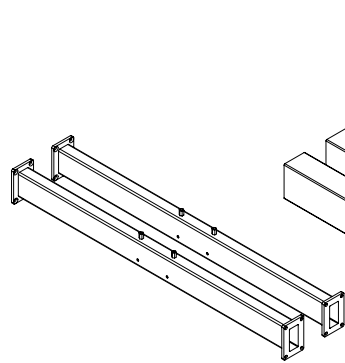
Installation Guide - Fixed Height



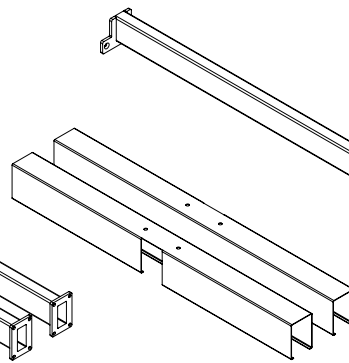
Parts:



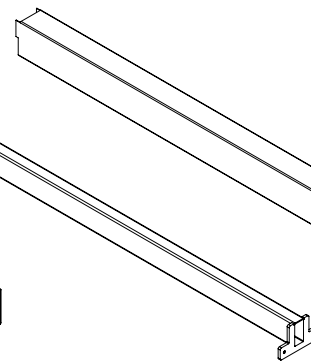
2 x L&R Leg Pair



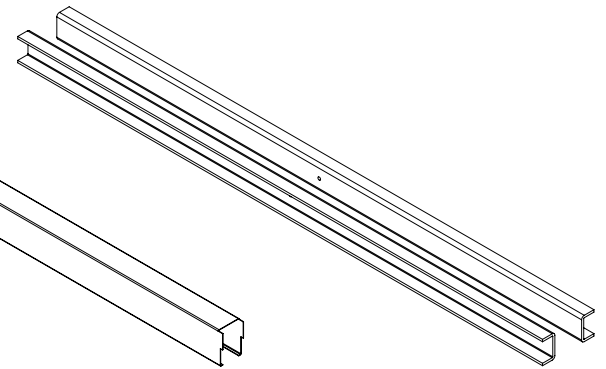
2 x Leg Beam



2 x Leg Beam Cover

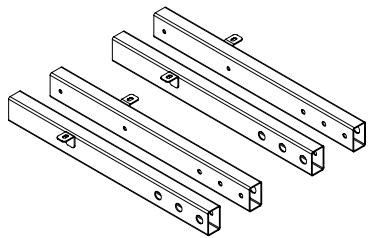


1 x Cross Beam

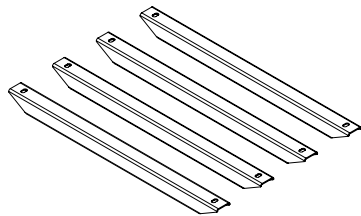


1 x Cross Beam Cover

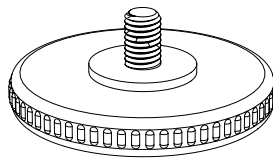
2 x Cross Rail



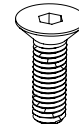
4 x L&R Leg Rail Pair



4 x Support Bar



4 x Levelling Foot



2 x M8x20



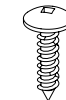
4 x M5x15



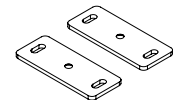
16 x M8x10



18 x M5x10



12 x ST5.0x23

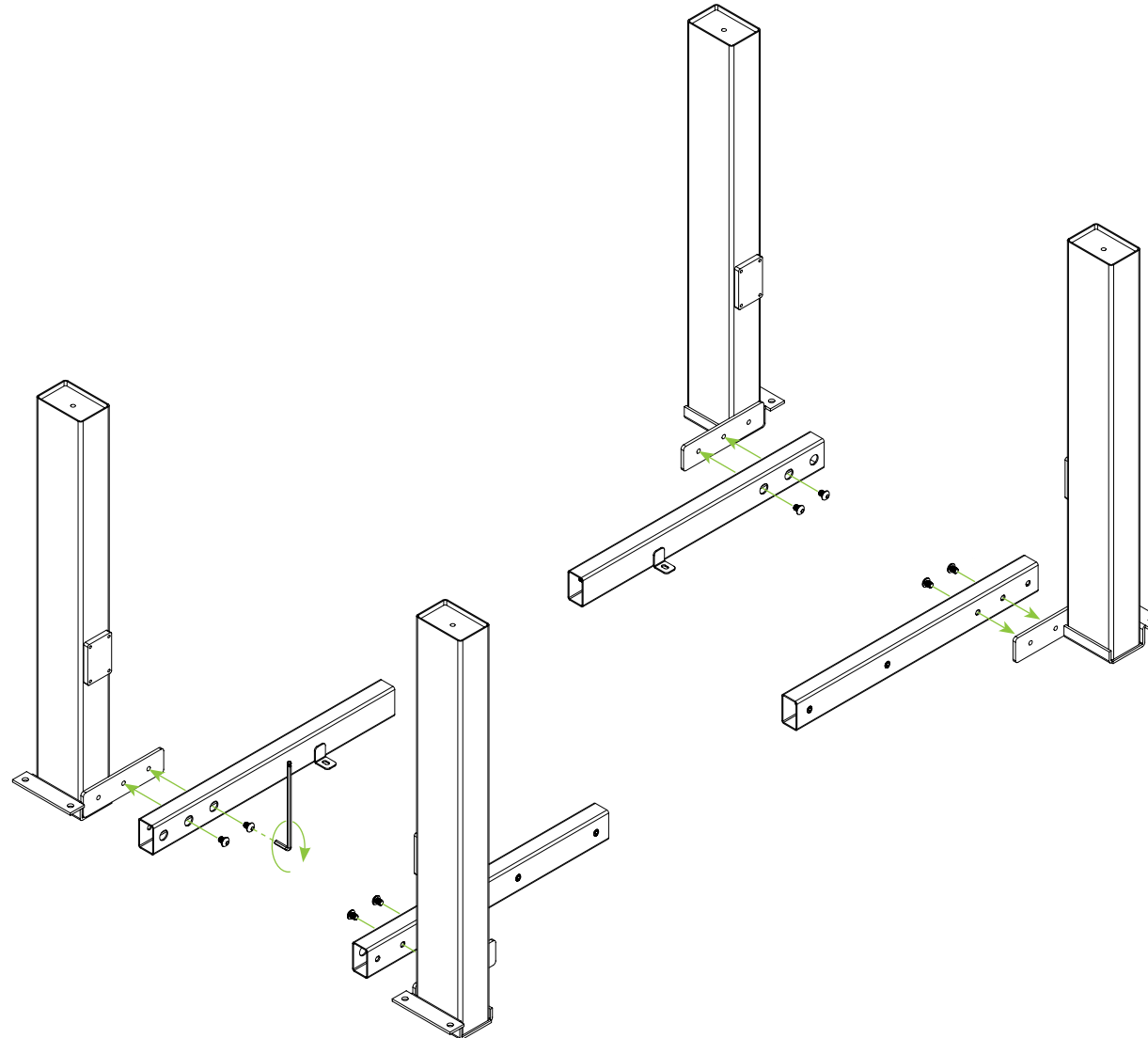


2 x Screen Bracket

Step 1



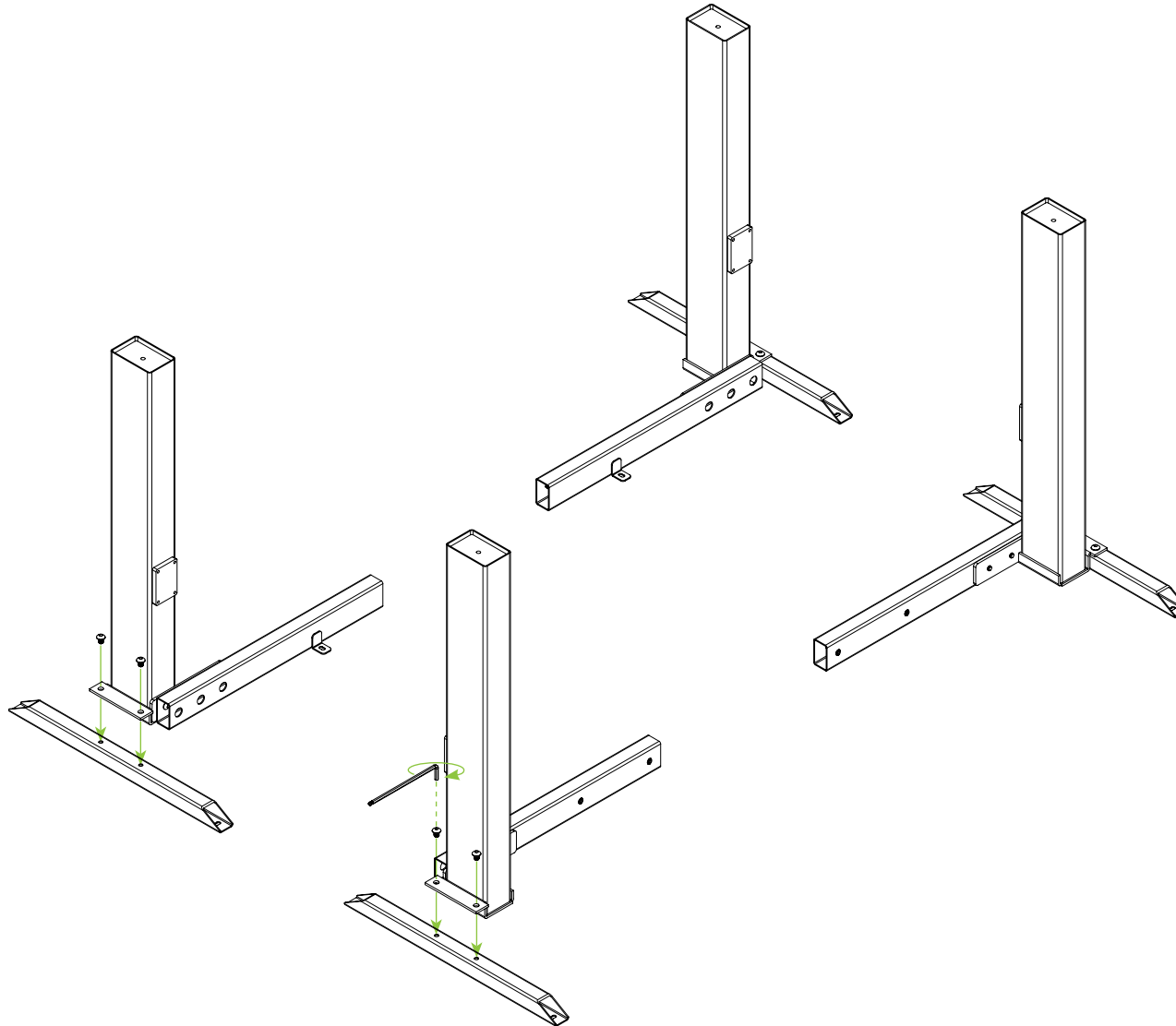
8 x M8x10



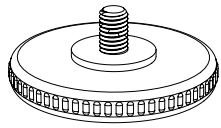
Step 2



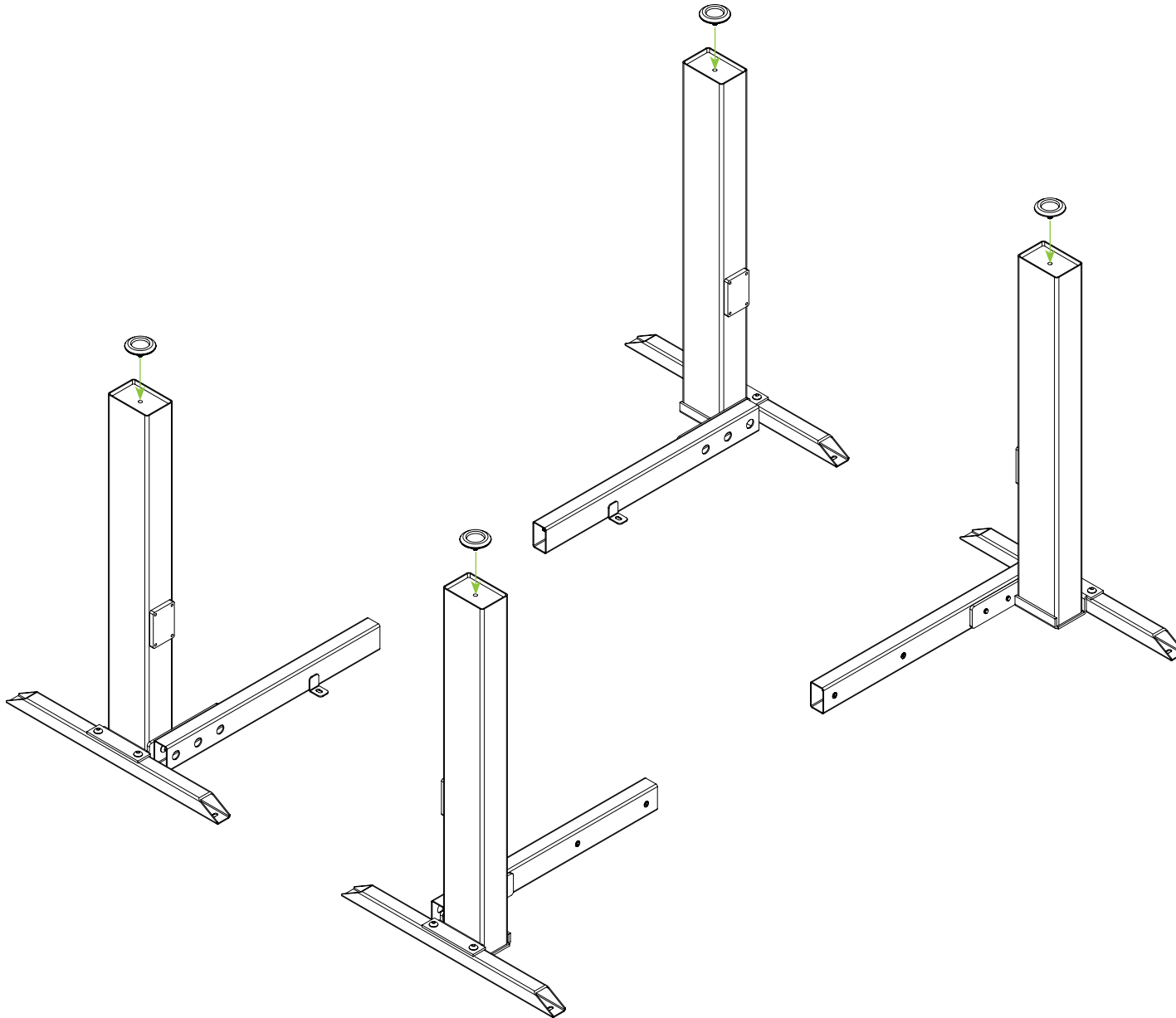
8 x M8x10



Step 3



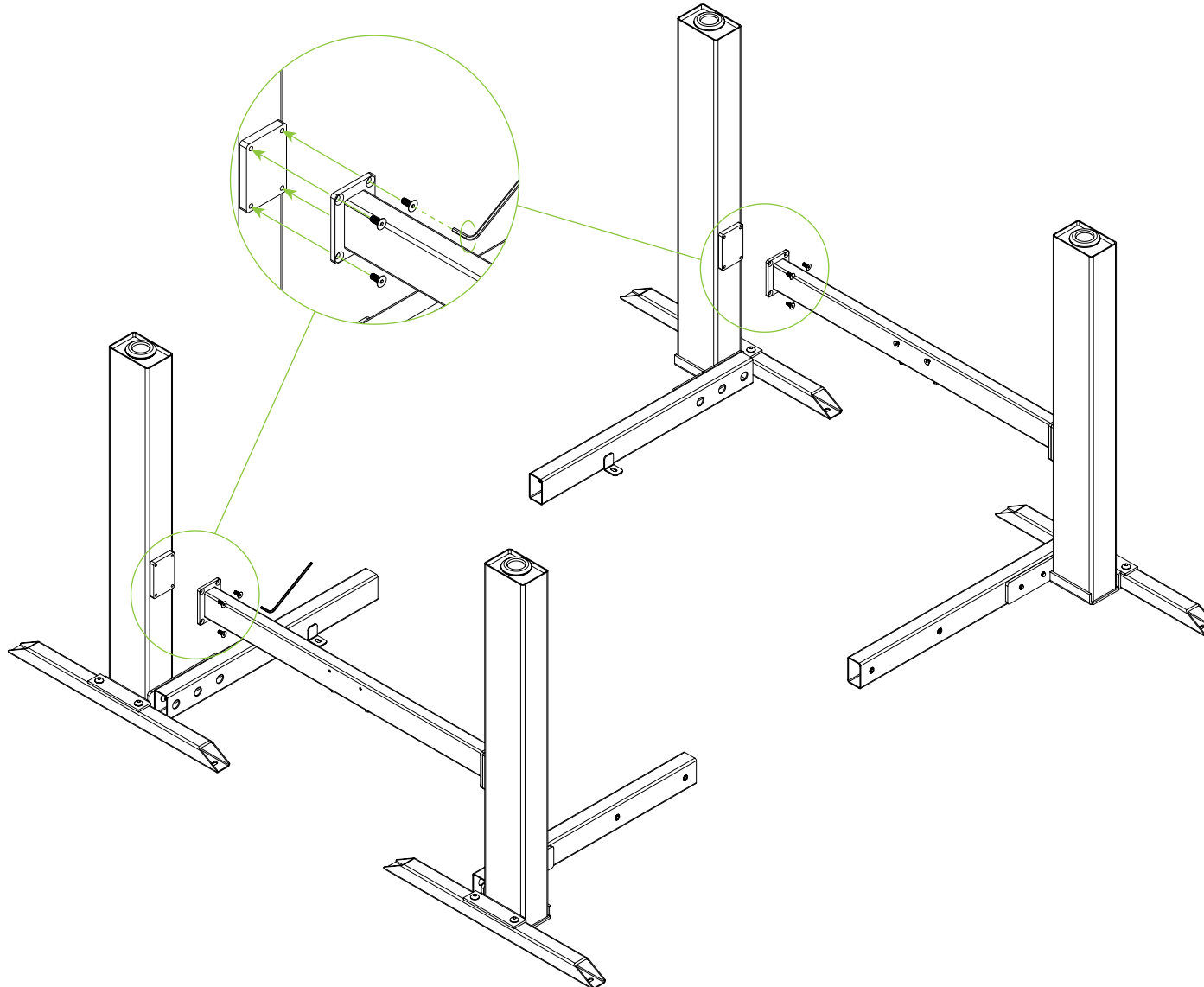
4 x Levelling Foot



Step 4



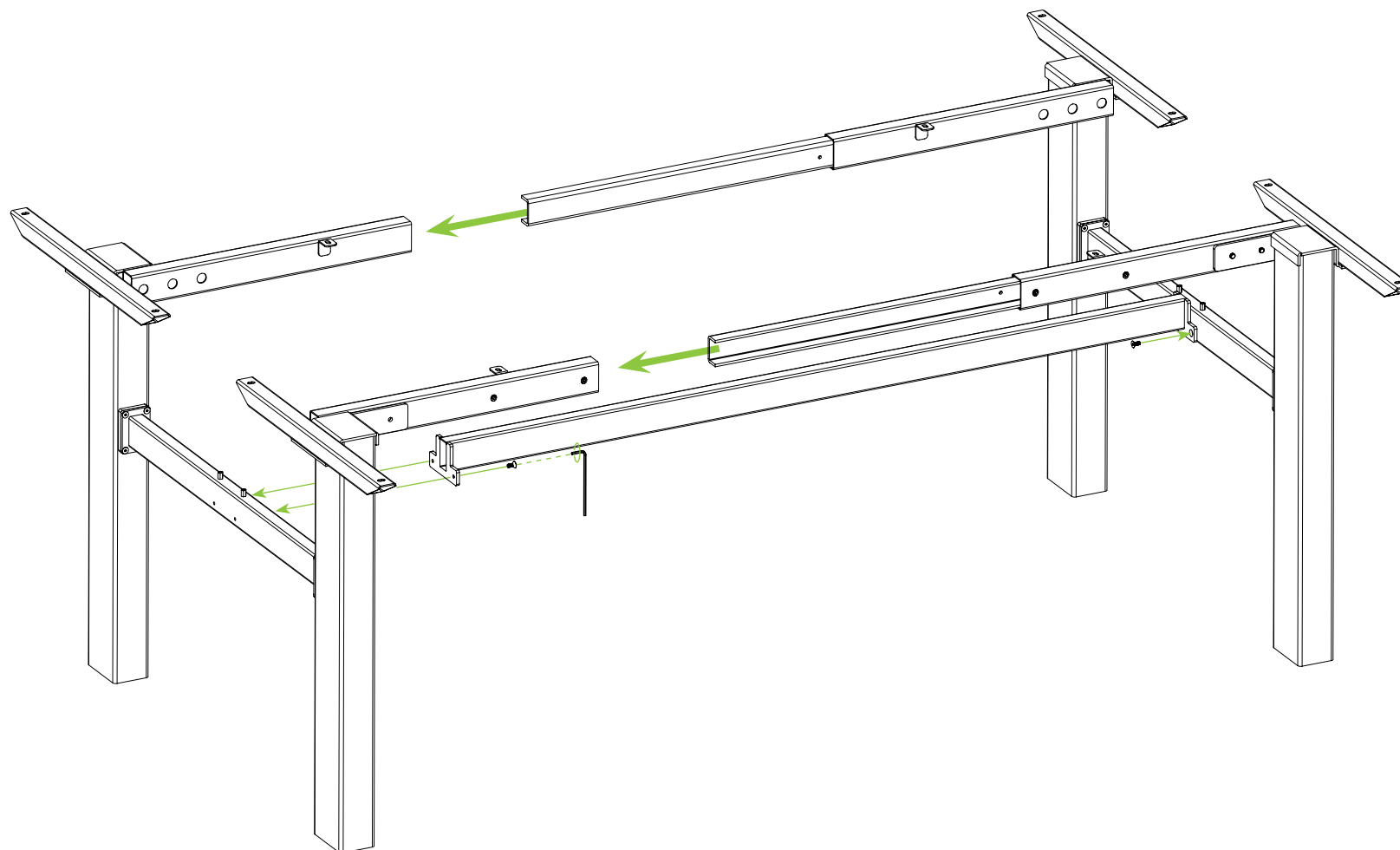
14 x M5x10



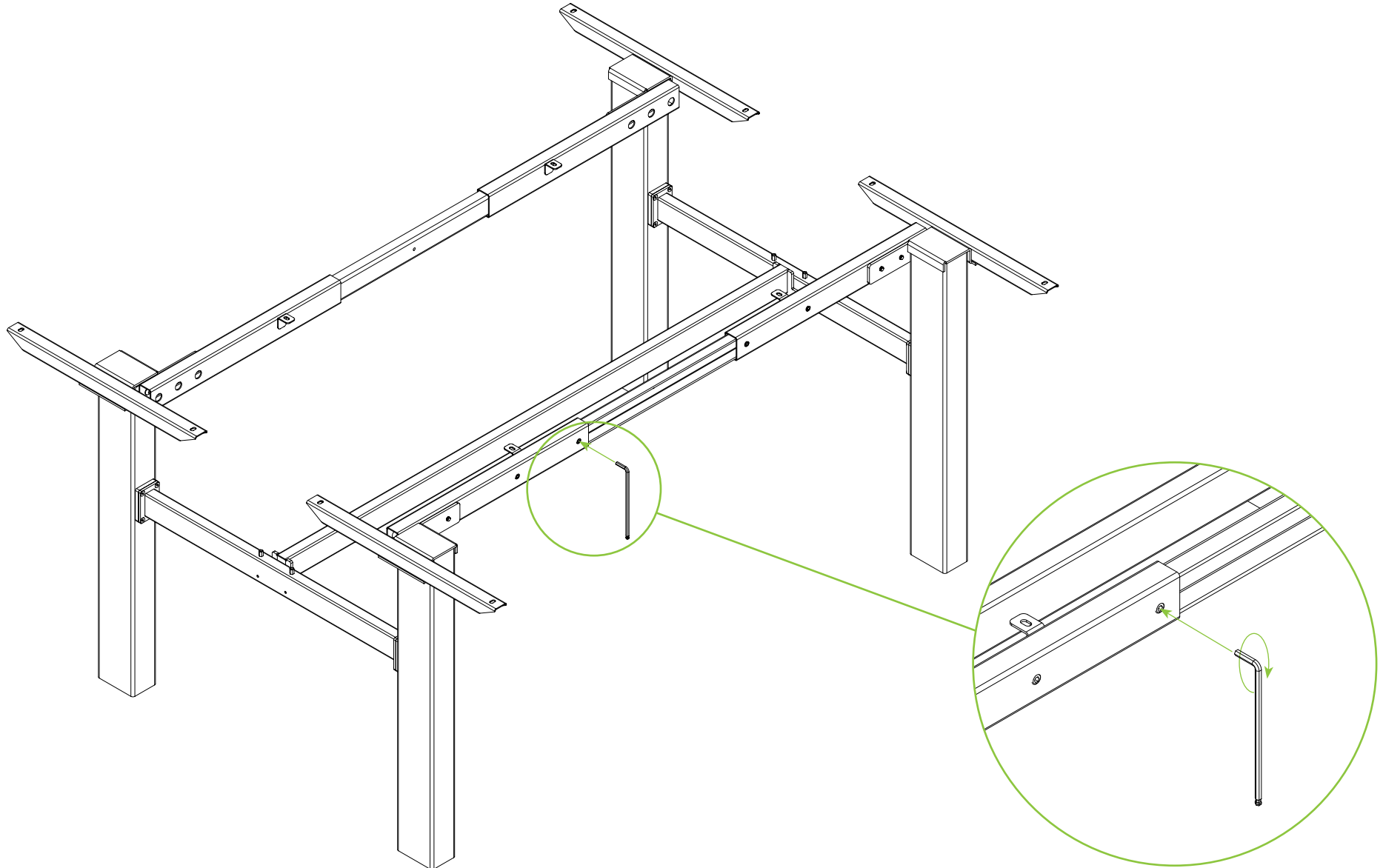
Step 5



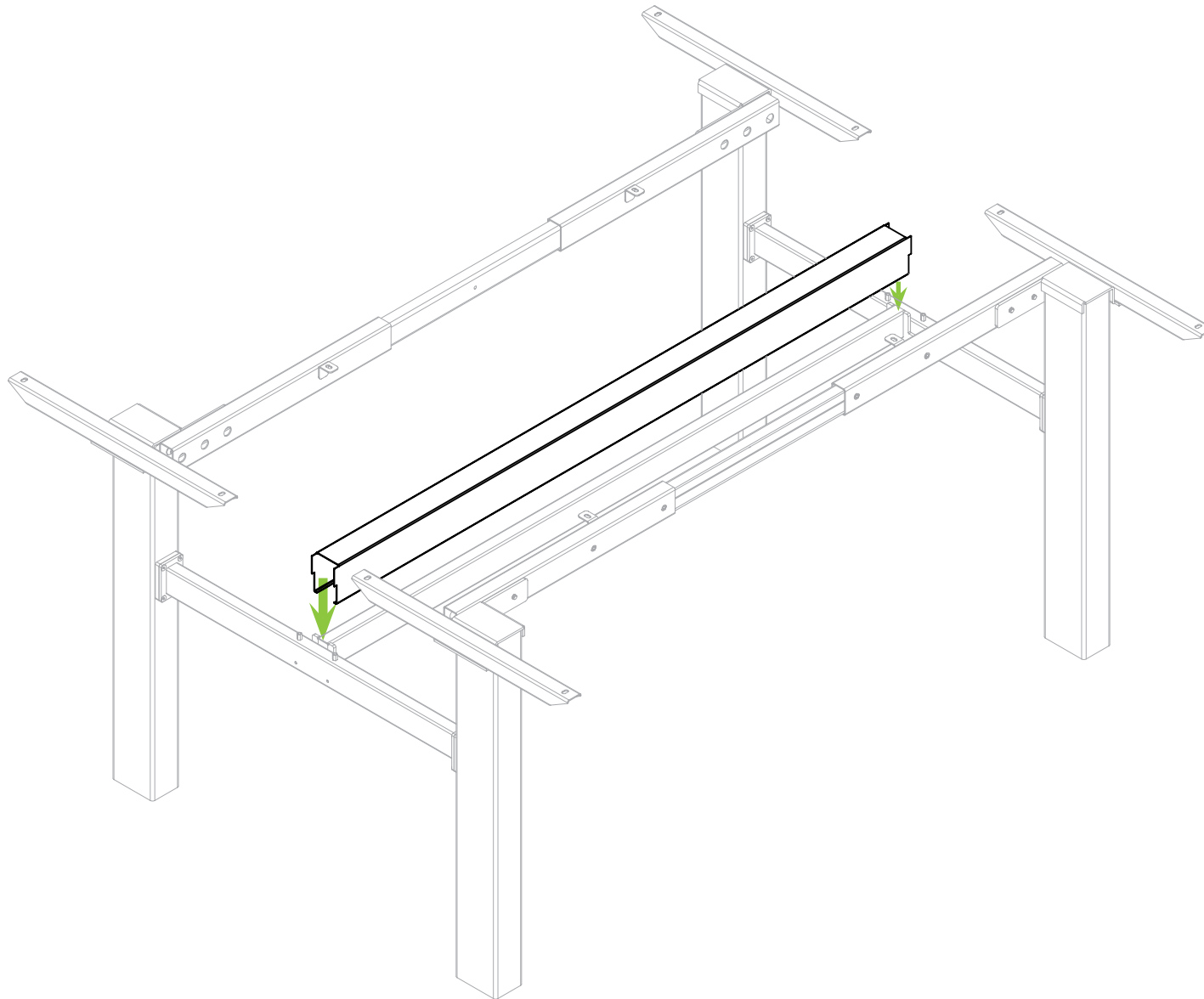
4 x M5x10



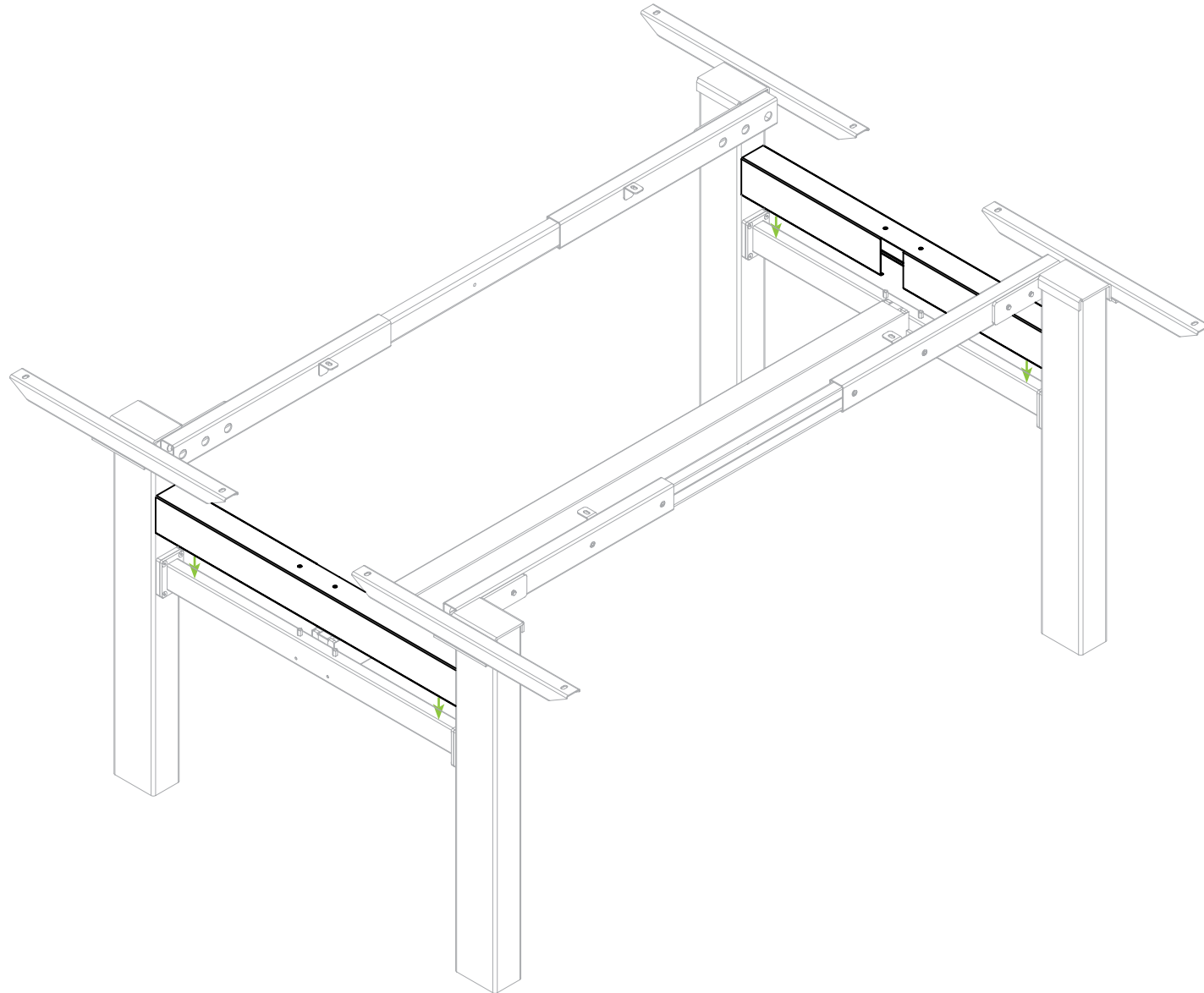
Step 6



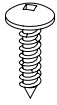
Step 7



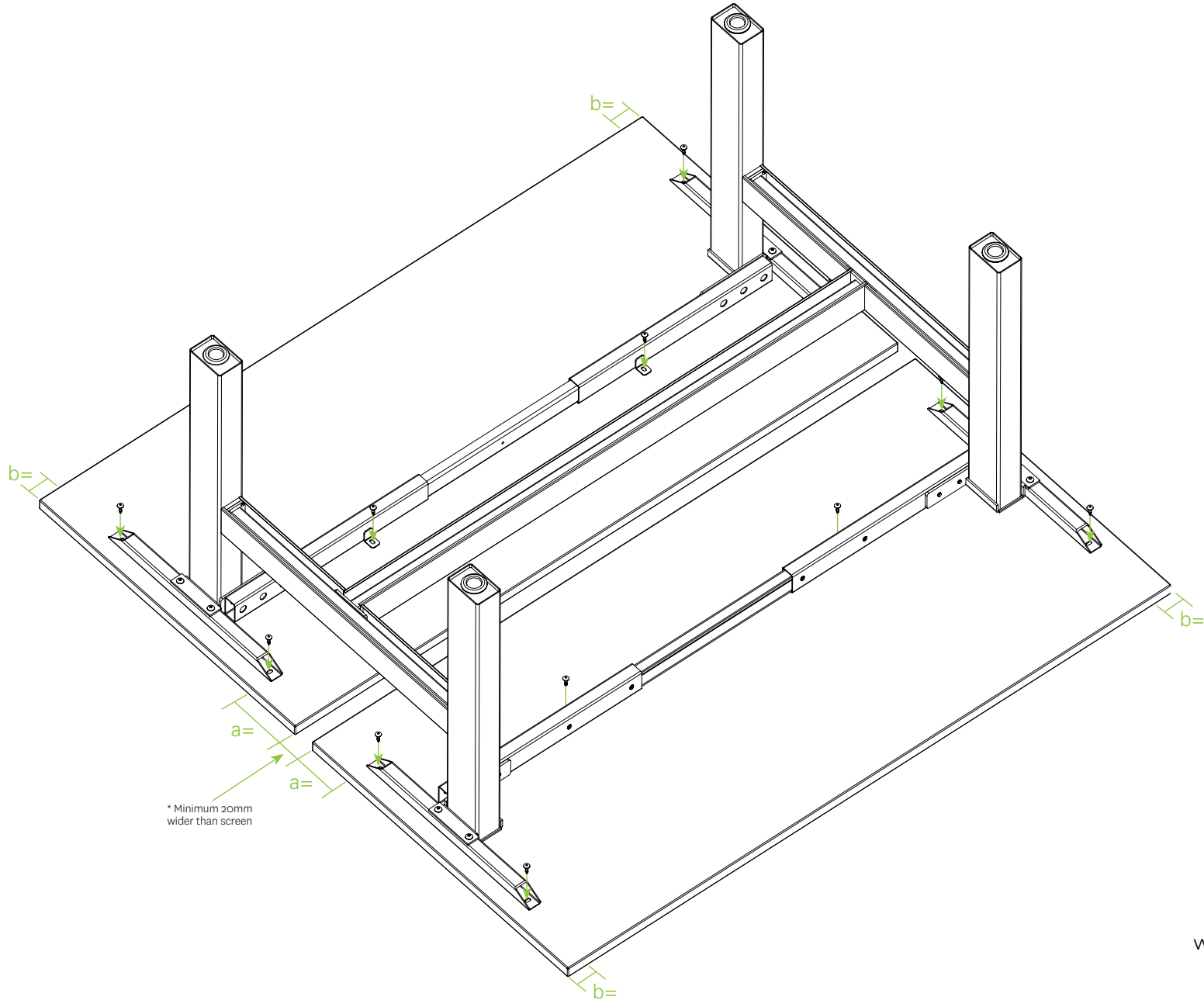
Step 8



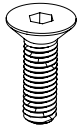
Step 9



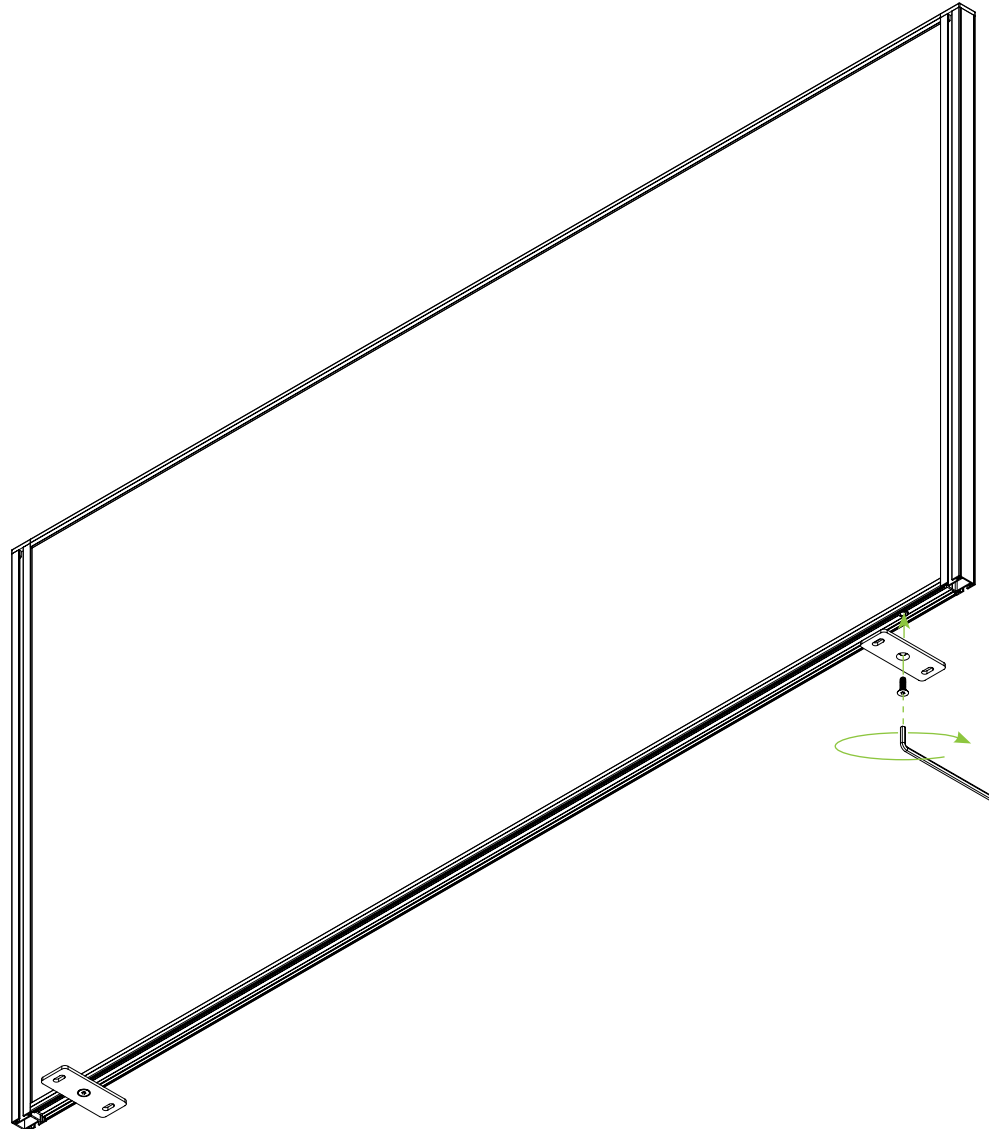
12 x ST5.0x23



Step 10



2 x M8x20

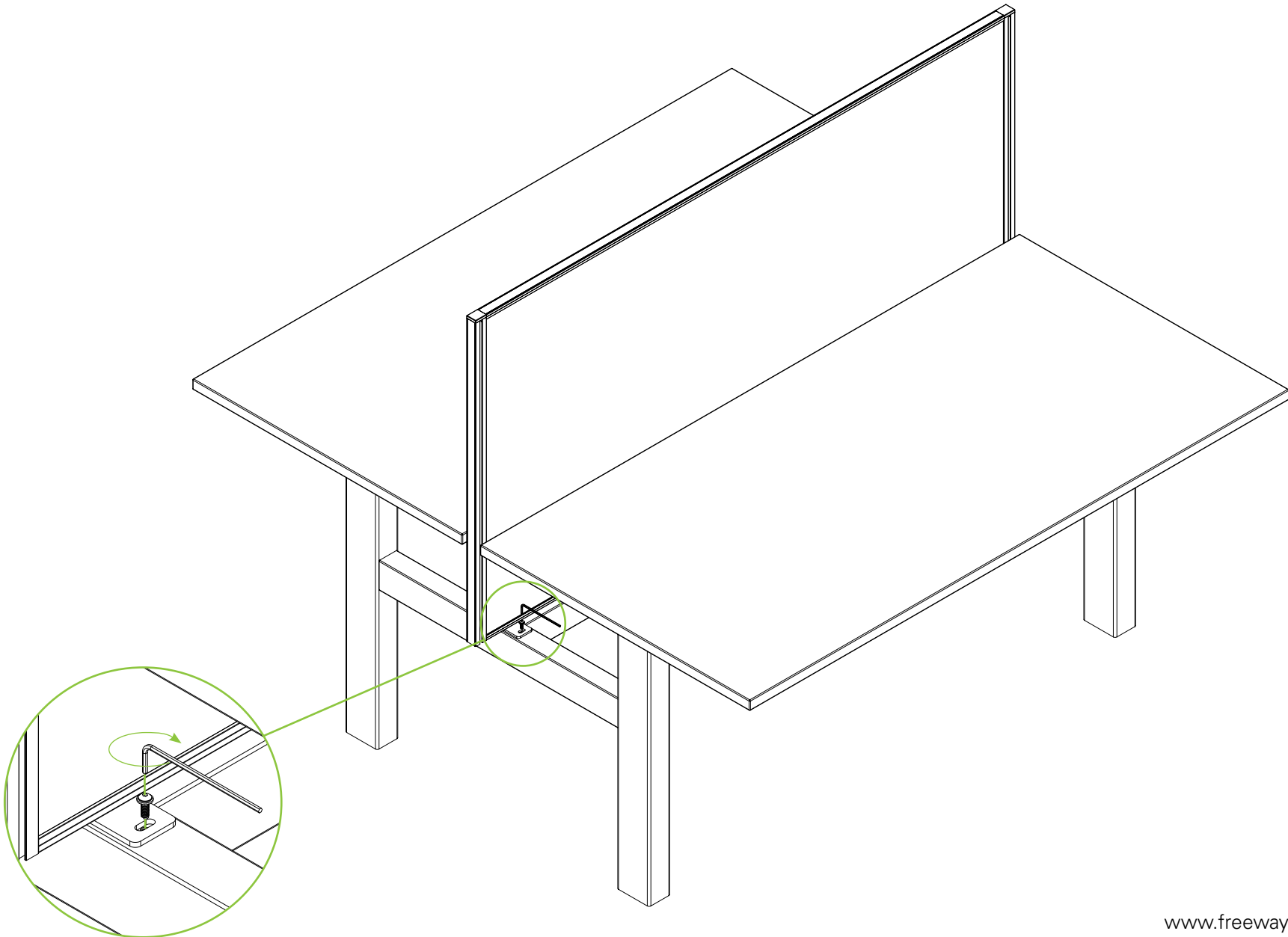


Studio50
Screens are
Australian
Made.

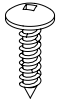
Step 11



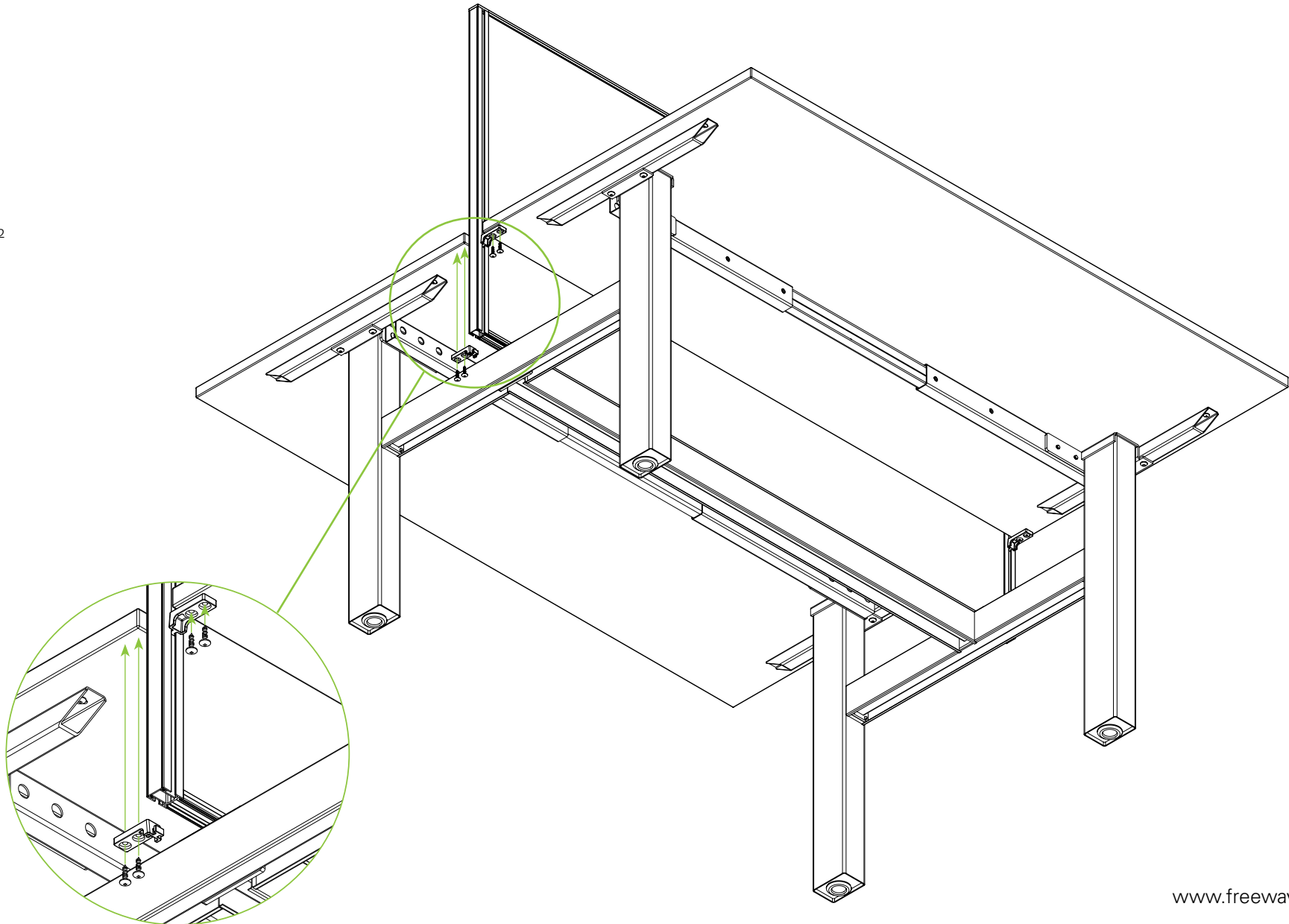
4 x M5x15



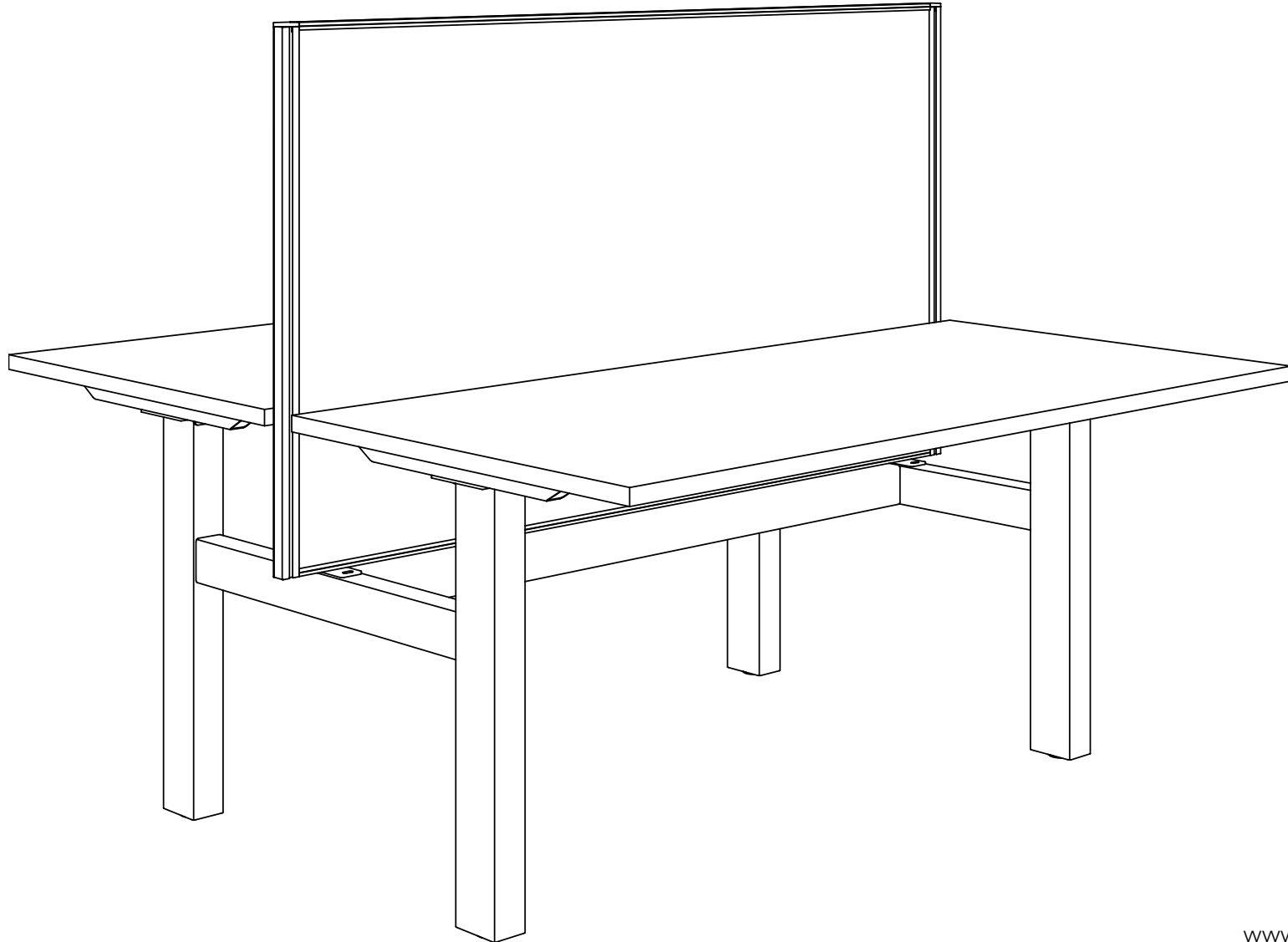
Step 12



8 x ST5.0x22

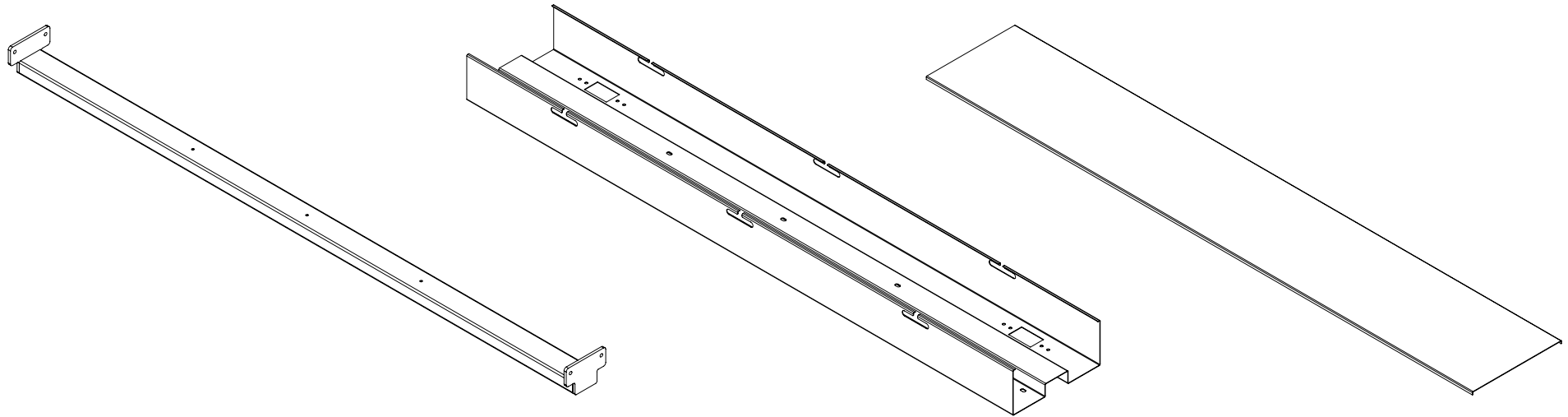


Completed



Optional Cable Tray

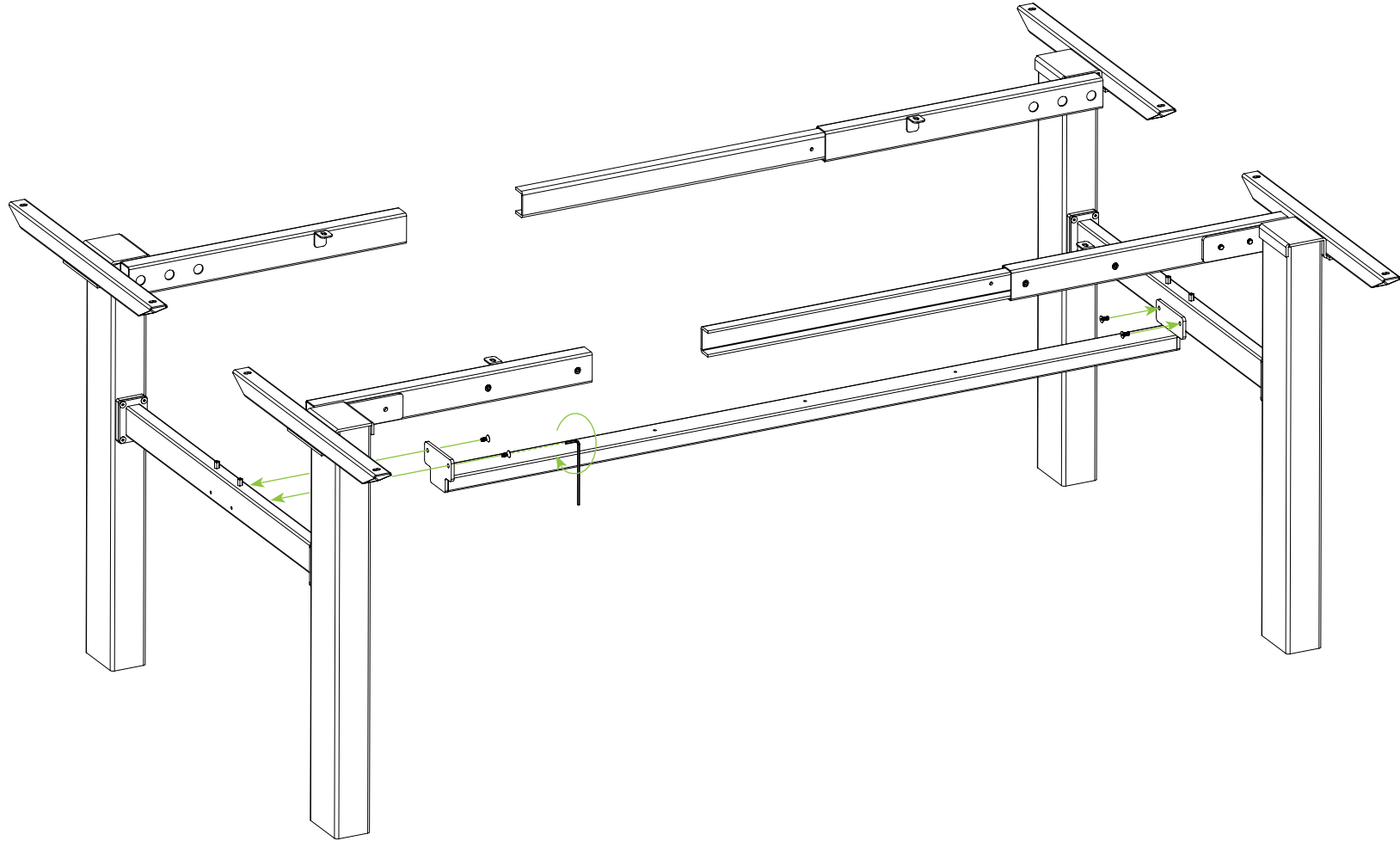
Installation Guide



Optional Cable Tray

Installation Guide

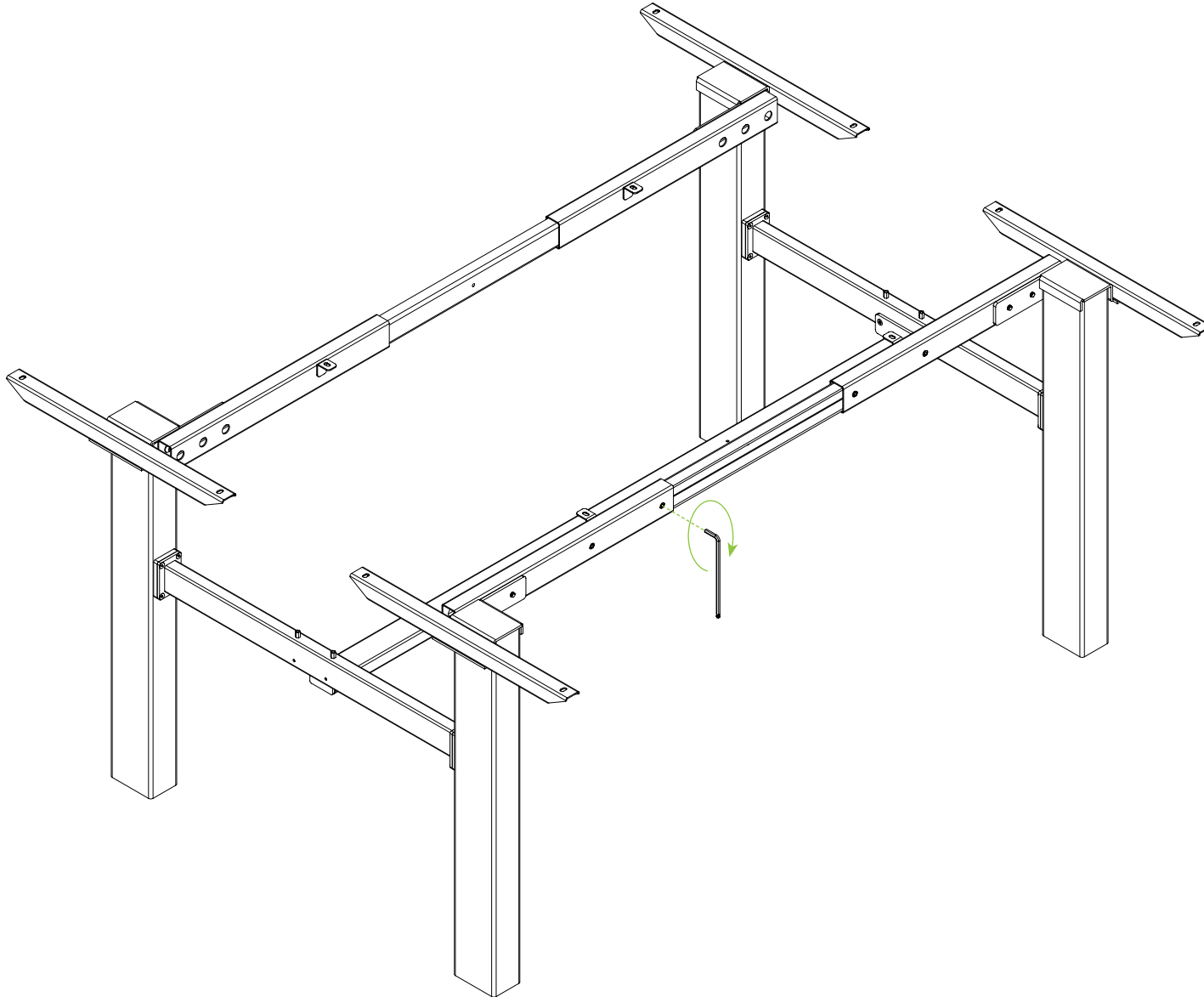
Step 1



Optional Cable Tray

Installation Guide

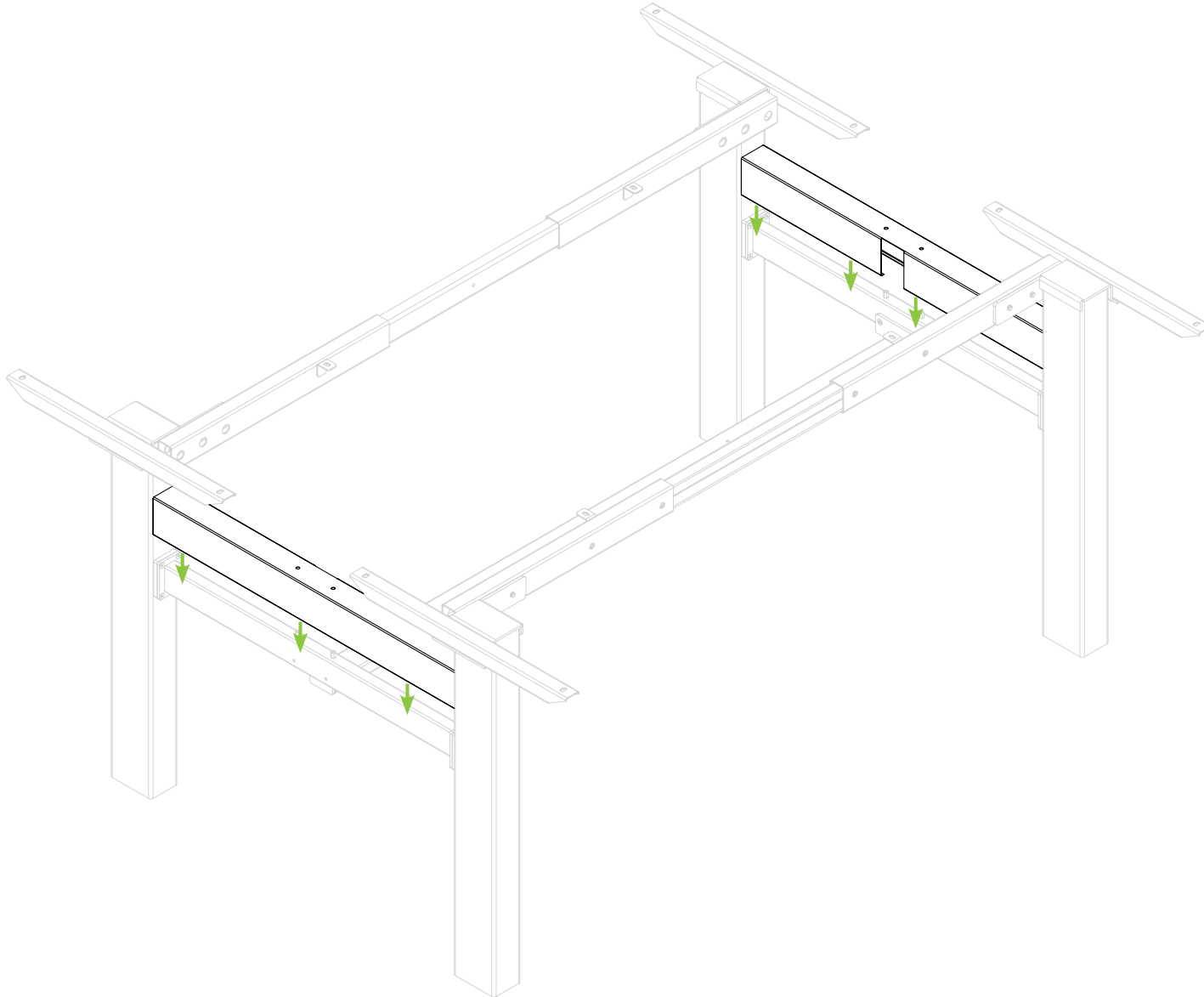
Step 2



Optional Cable Tray

Installation Guide

Step 3



Step 4

