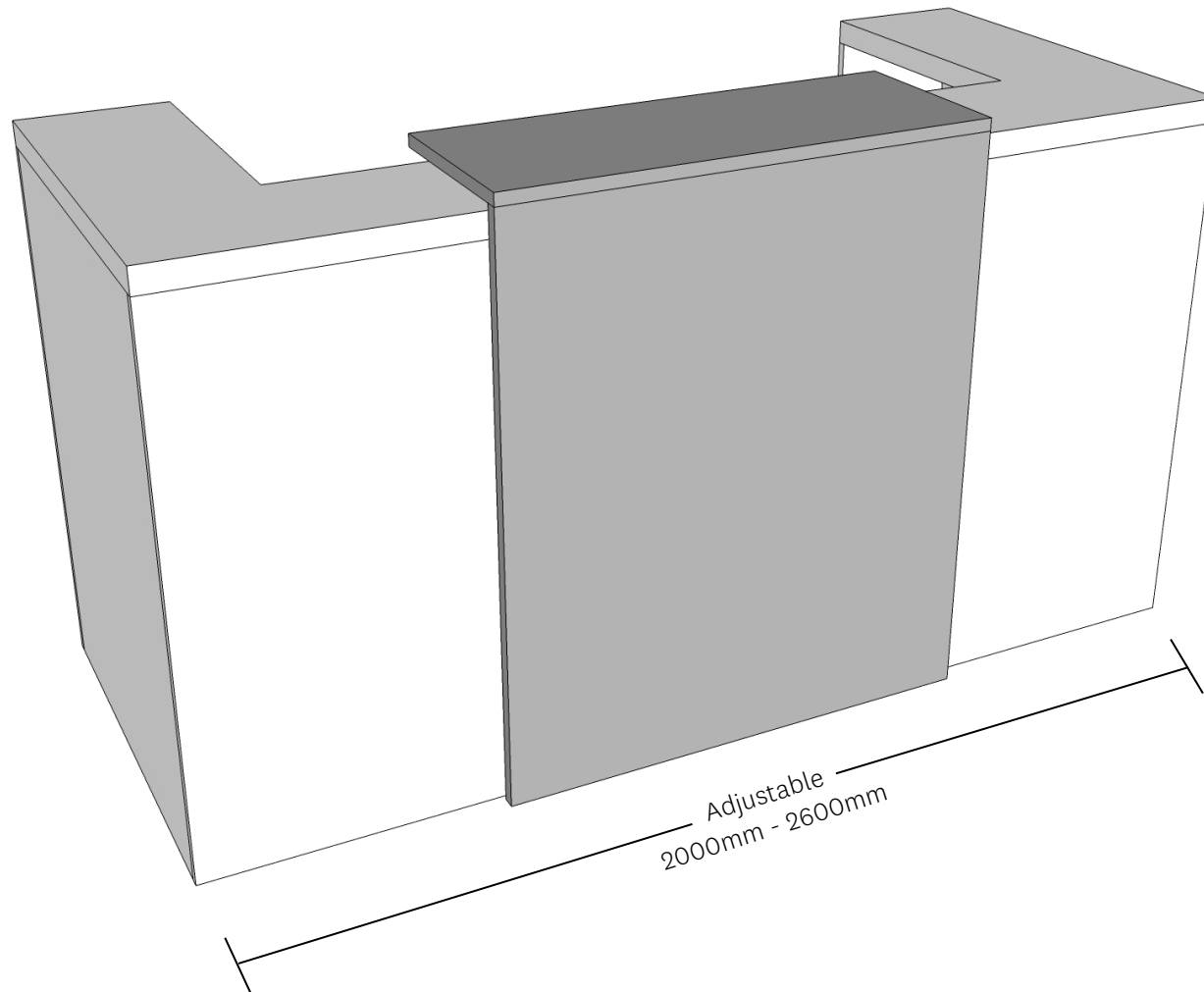


# Anvil Reception Counter

## Installation Guide

---

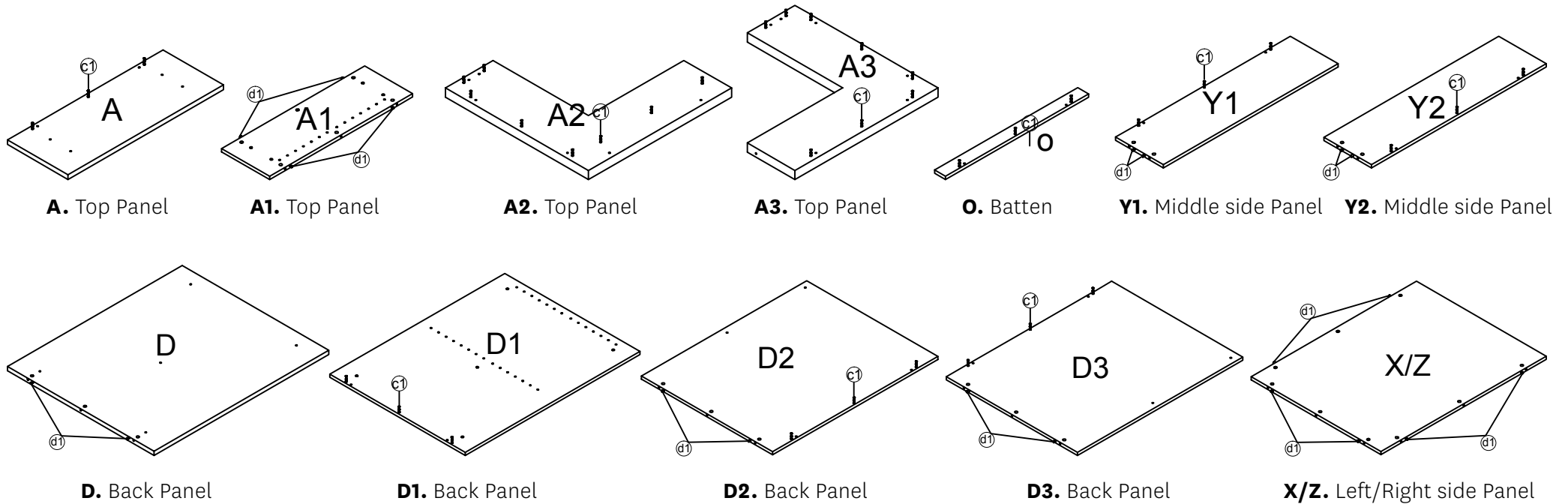
**TOOLS REQUIRED:** Powered screwdriver



# ANVIL RECEPTION COUNTER

## Installation Guide

### PARTS



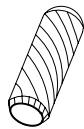
### Pre-installed parts



**(c5)** Cam



**(c1)** 6\*35 Cam Bolt-37



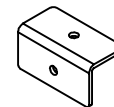
**(d1)** 8\*30 Dowel Pin-26



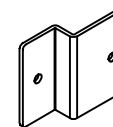
**(c2)** (1/2") Cam Cover-46



**(s1)** 6\*12 Screw-12



**(p1)** Bracket-2



**(p2)** Bracket-4

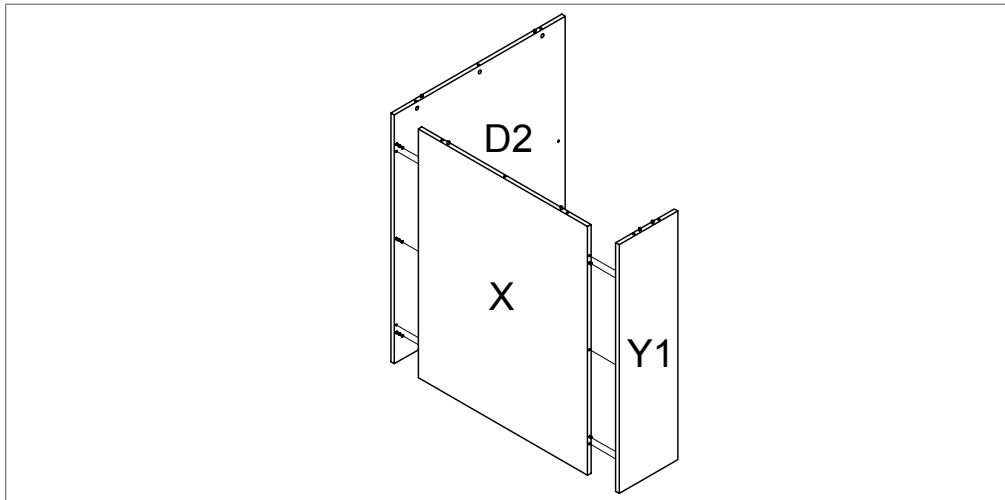
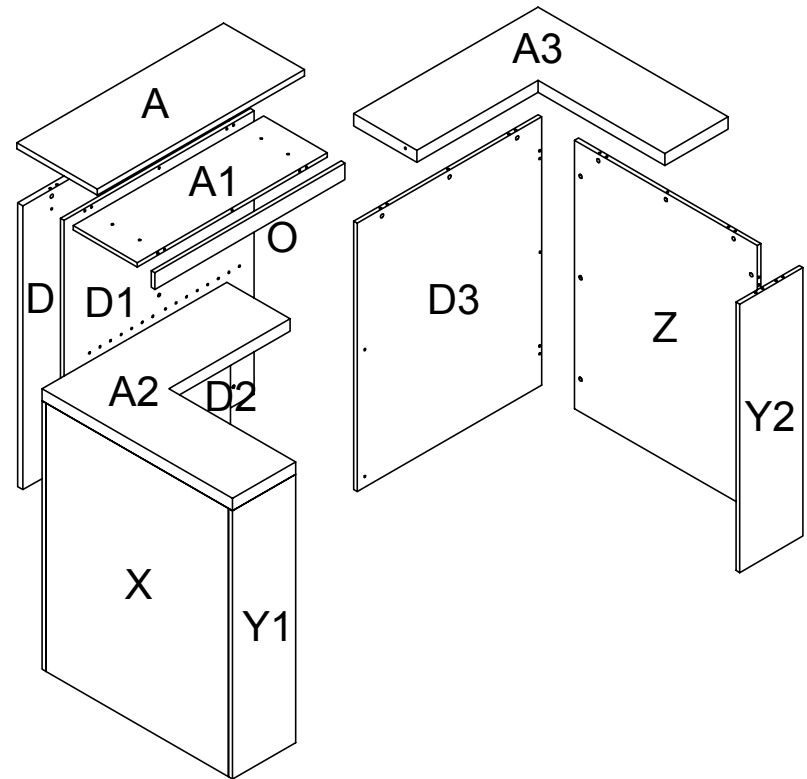


**(s2)** 6\*25 Screw-9

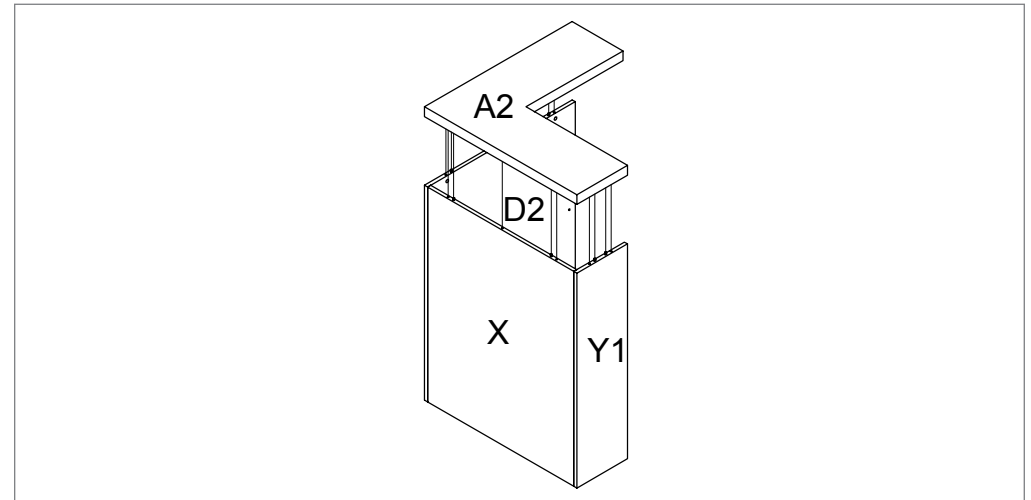
# ANVIL RECEPTION COUNTER

## Installation Guide

\* To prevent possible scratches or damage, assemble the reception on a soft surface such as a blanket, carpet or packaging.



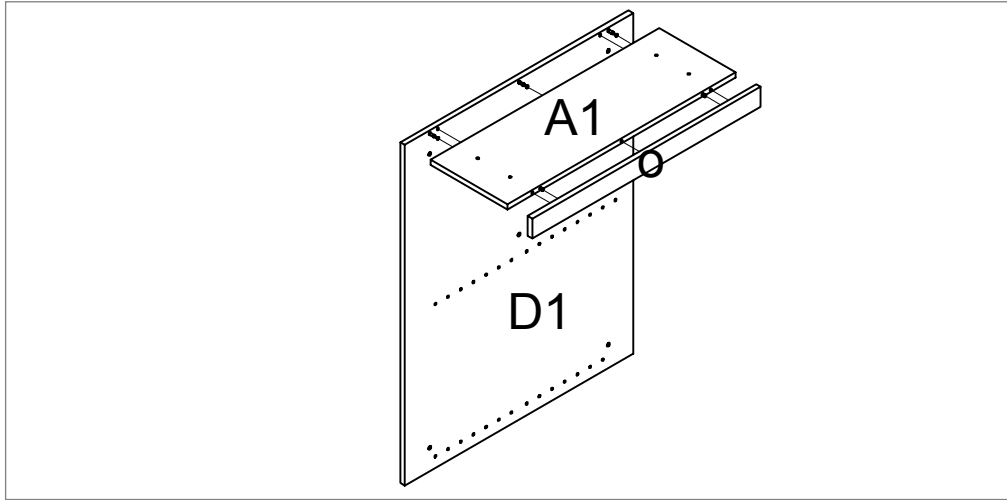
STEP 1



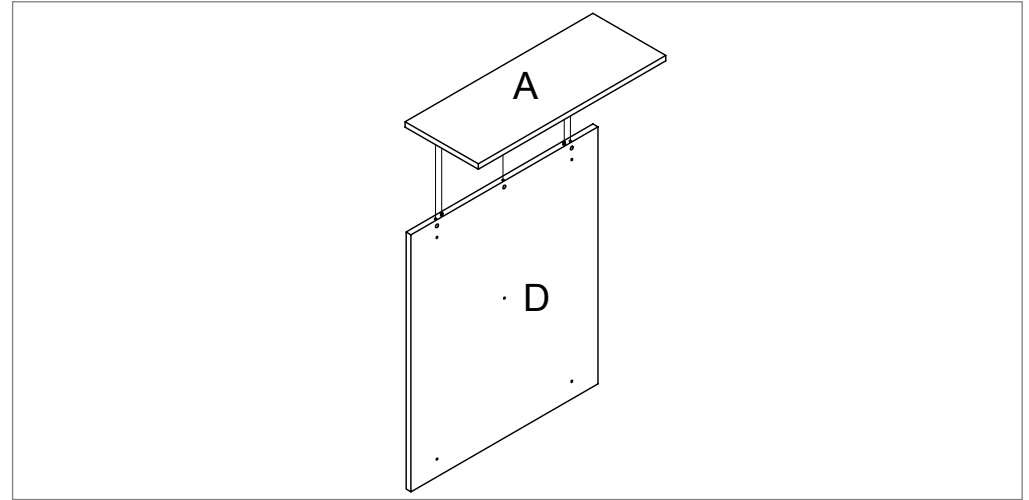
STEP 2

# ANVIL RECEPTION COUNTER

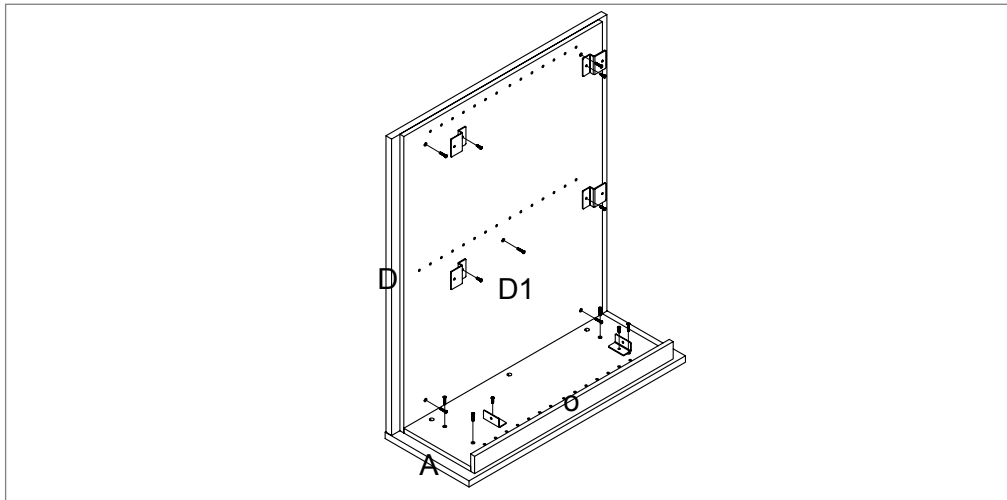
## Installation Guide



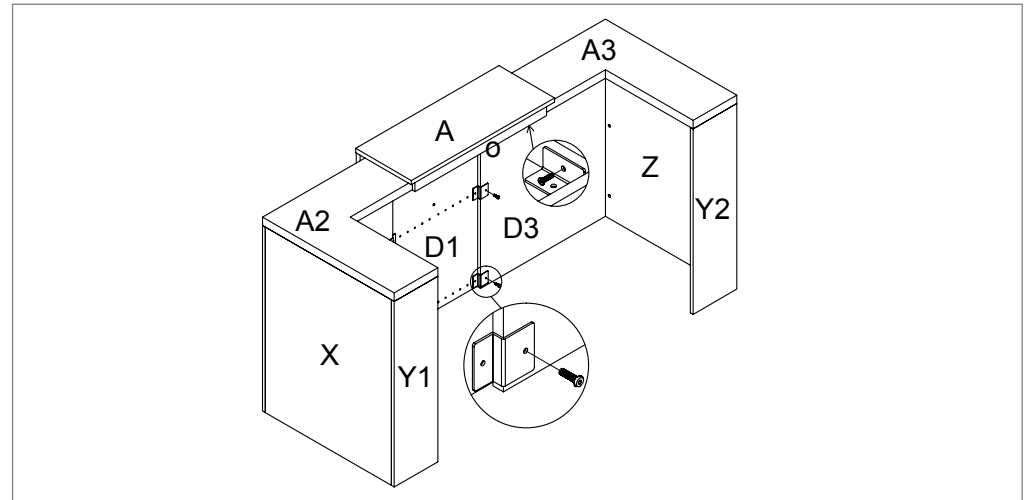
STEP 3



STEP 4



STEP 5



STEP 6