

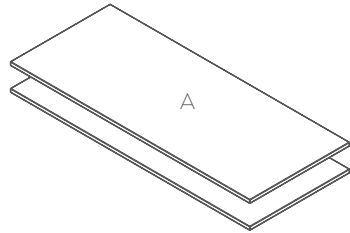
---

## Axis 2-User Double Sided Workspace

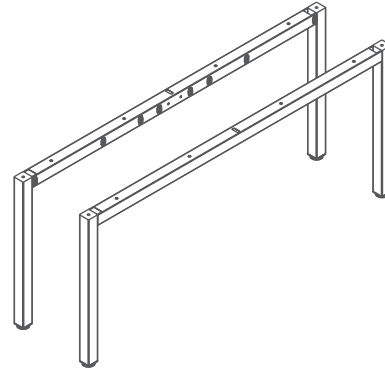
Assembly Instructions

# Axis 2-User Double Sided Workspace

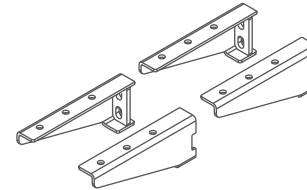
## Components List



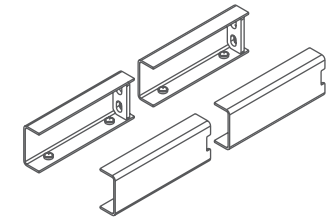
Axis Worktop



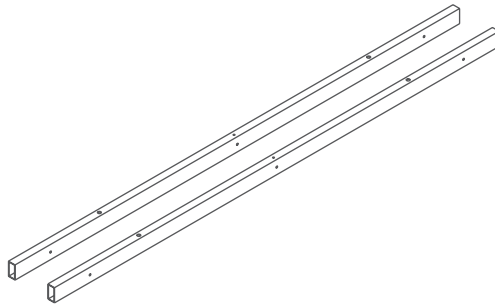
1 x L & R Leg Pair



2 x Pair AXKDBRAC



1 x Pair AXKDSPIGE



2 x Rail



16 - M6 x 20



8 - M8 x 16



12 - ST6 x 23

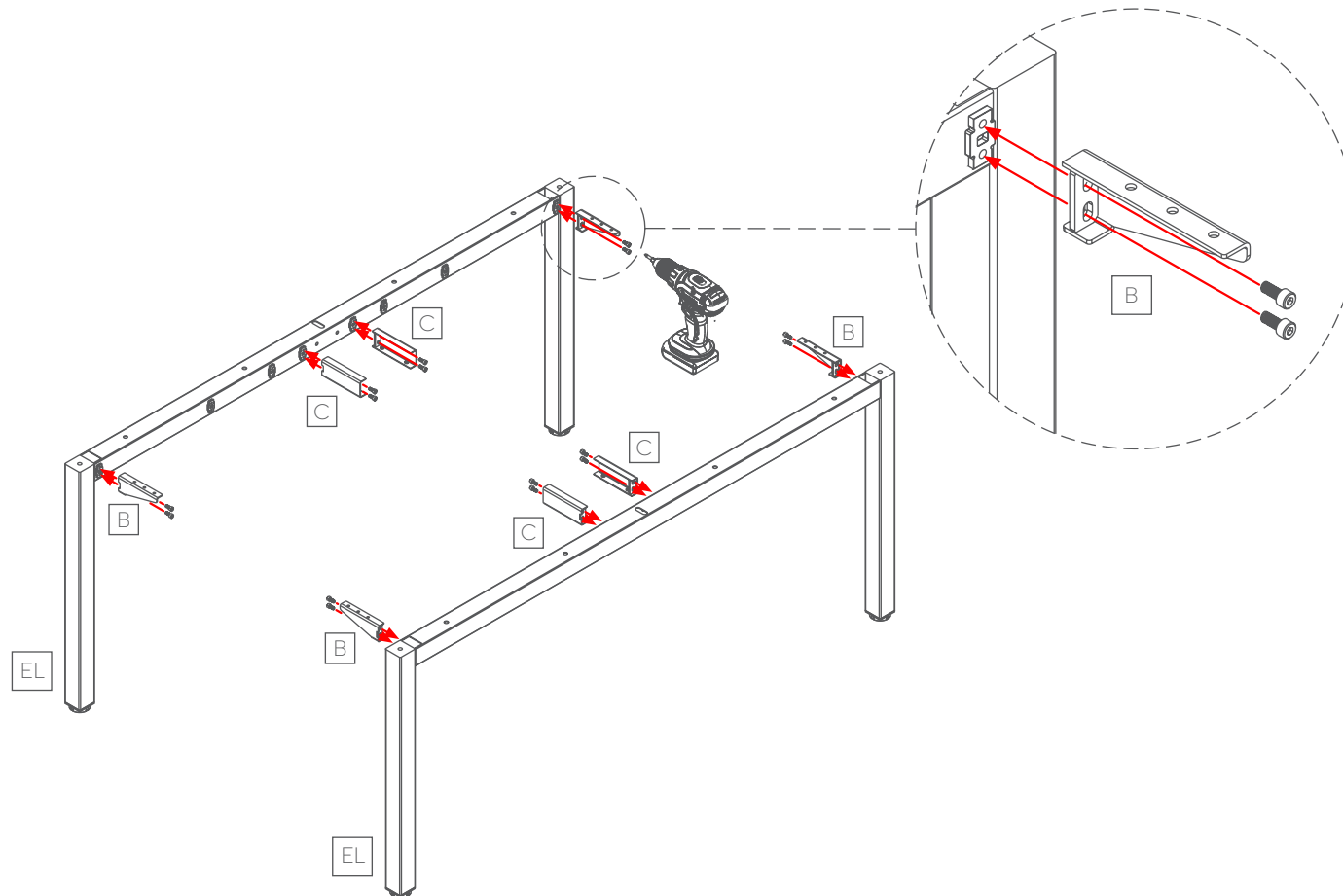
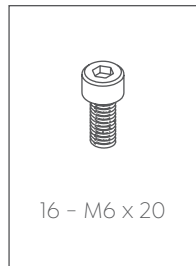


12 - ST5 x 70

# Axis 2-User Double Sided Workspace

Assembly Instructions

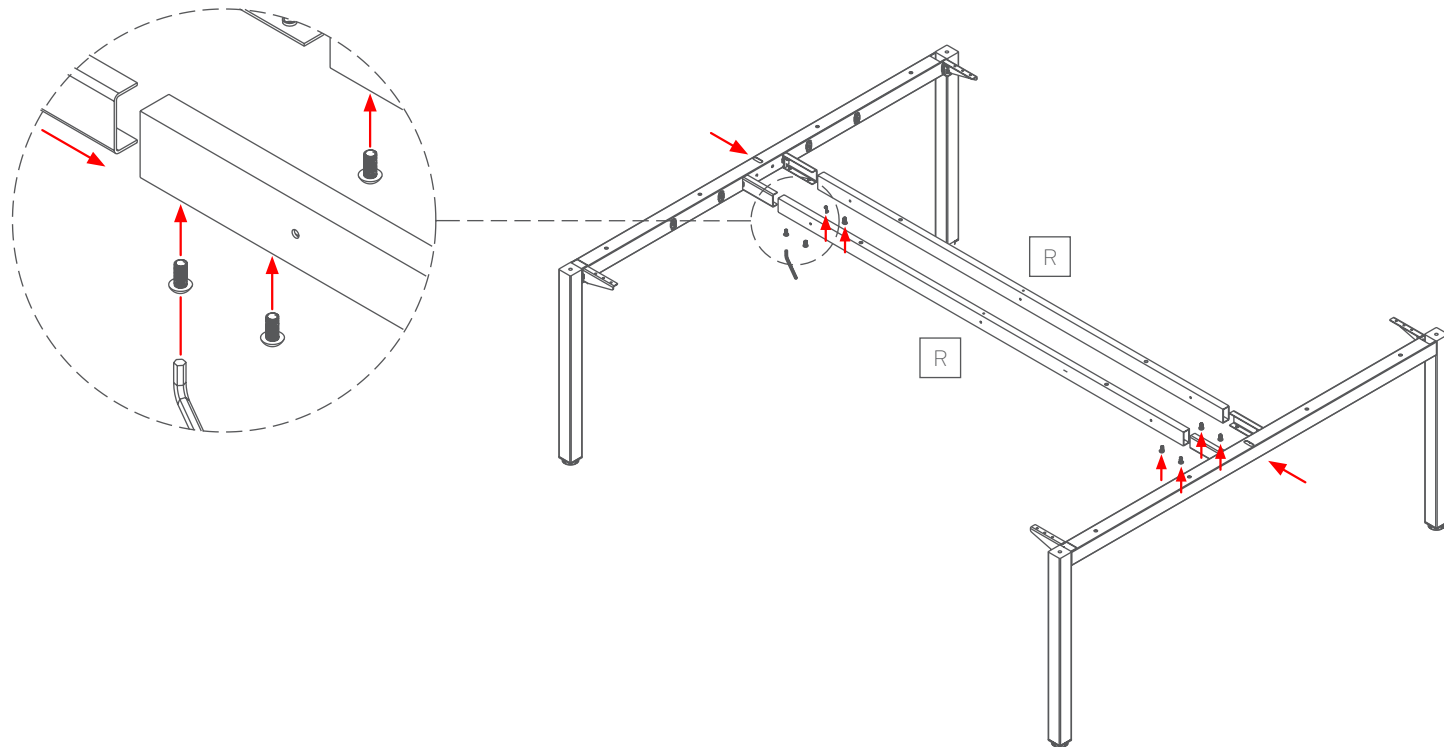
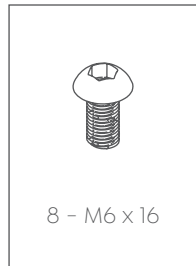
## STEP 1:



# Axis 2-User Double Sided Workspace

## Assembly Instructions

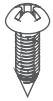
### STEP 2:



# Axis 2-User Double Sided Workspace

Assembly Instructions

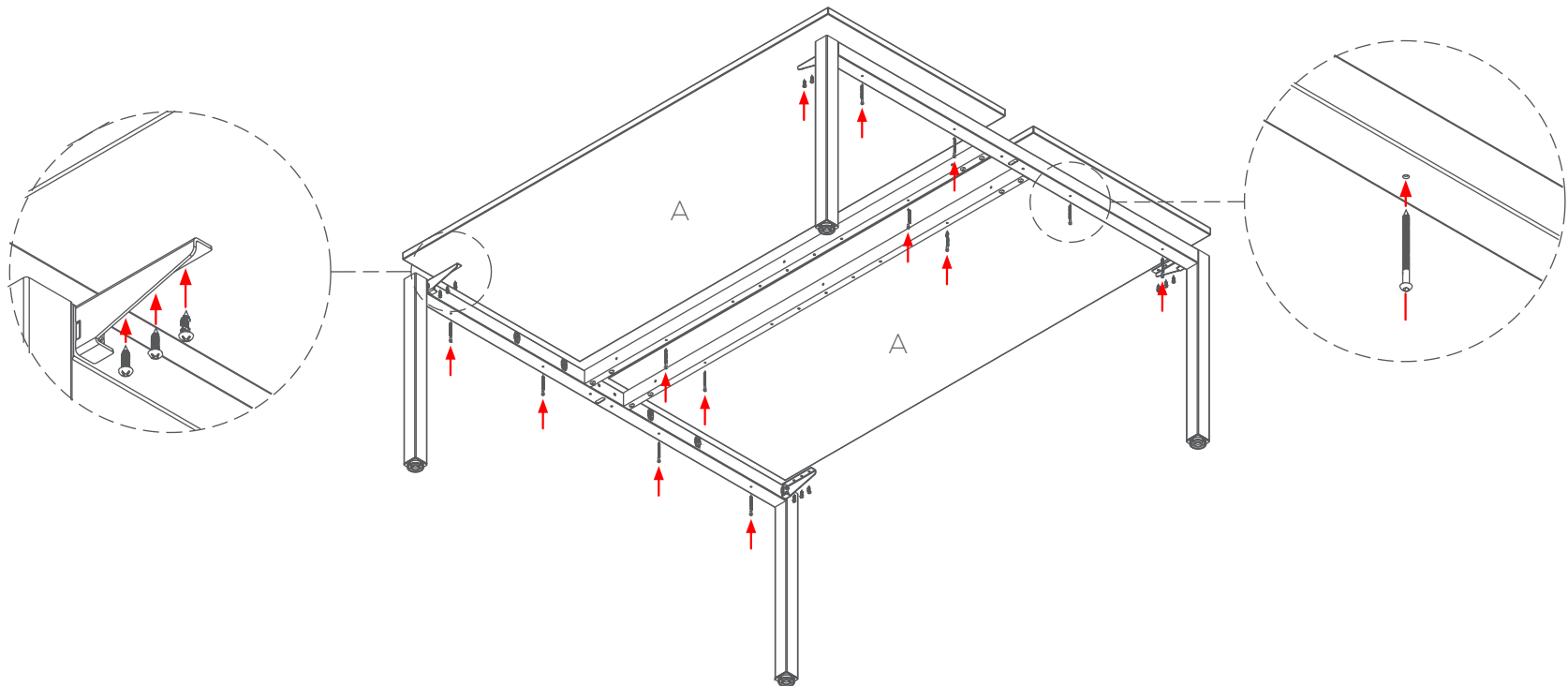
## STEP 3:



12 - ST6 x 23



8 - ST5 x 70

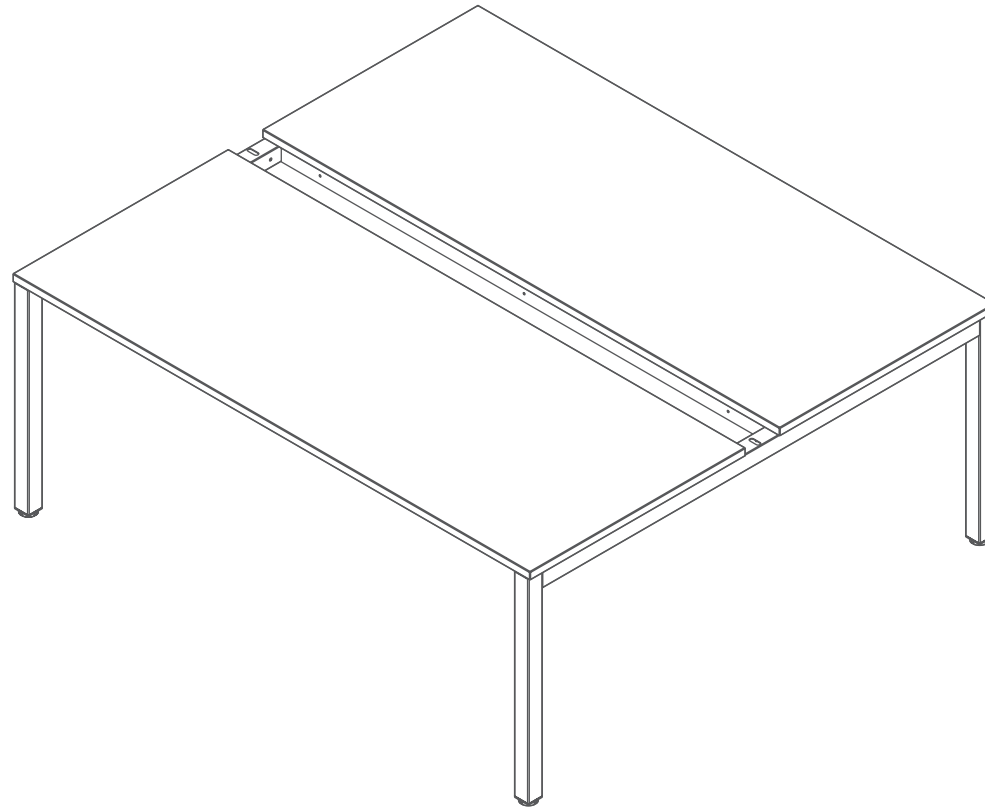


# Axis 2-User Double Sided Workspace

Assembly Instructions

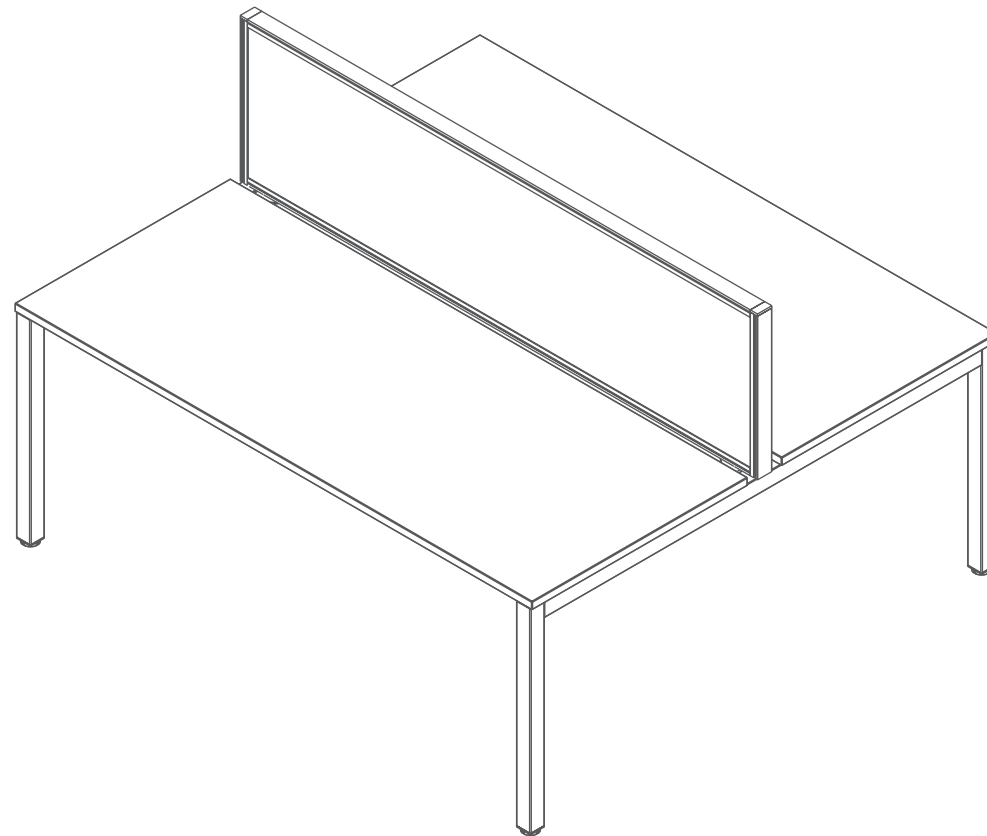
---

**Complete:**



# Optional Studio50 Desk Mounted Screen

Assembly Instructions

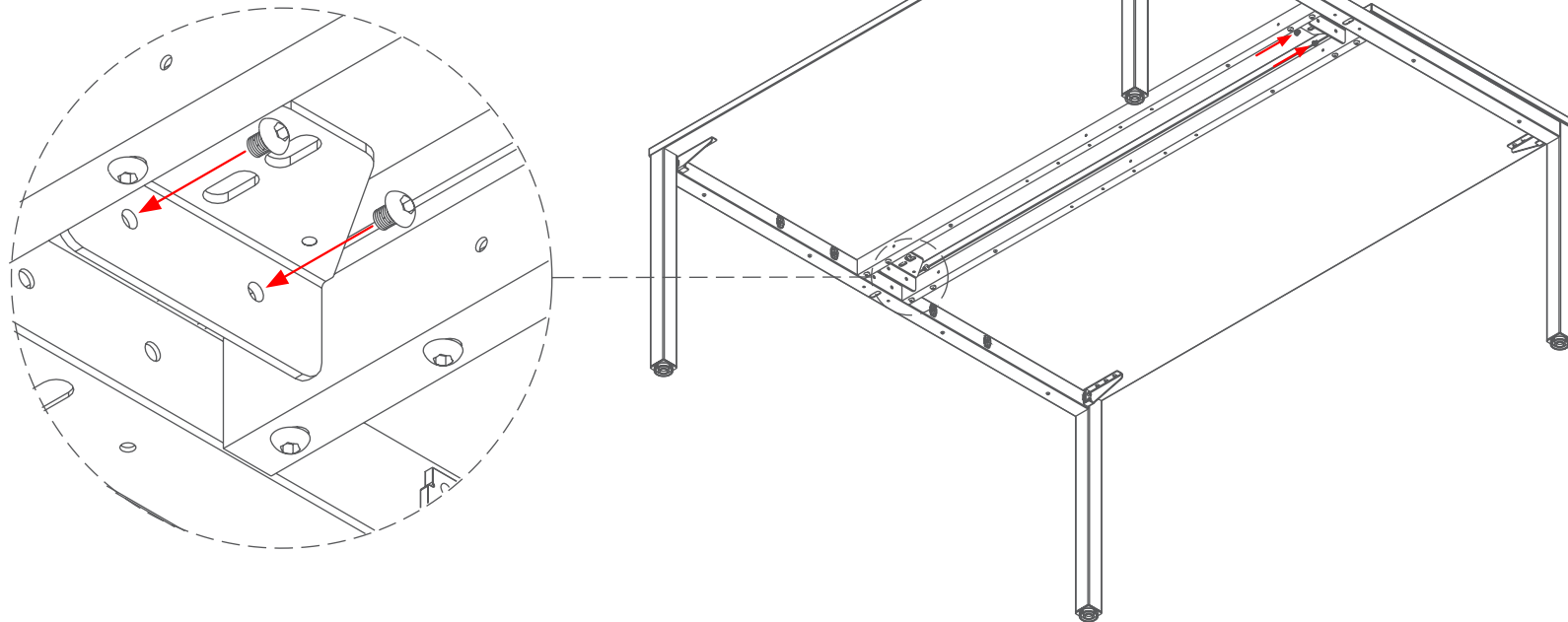


Studio50  
Screens are  
Australian  
Made.

# Optional Studio50 Desk Mounted Screen

## Assembly Instructions

### STEP 1:

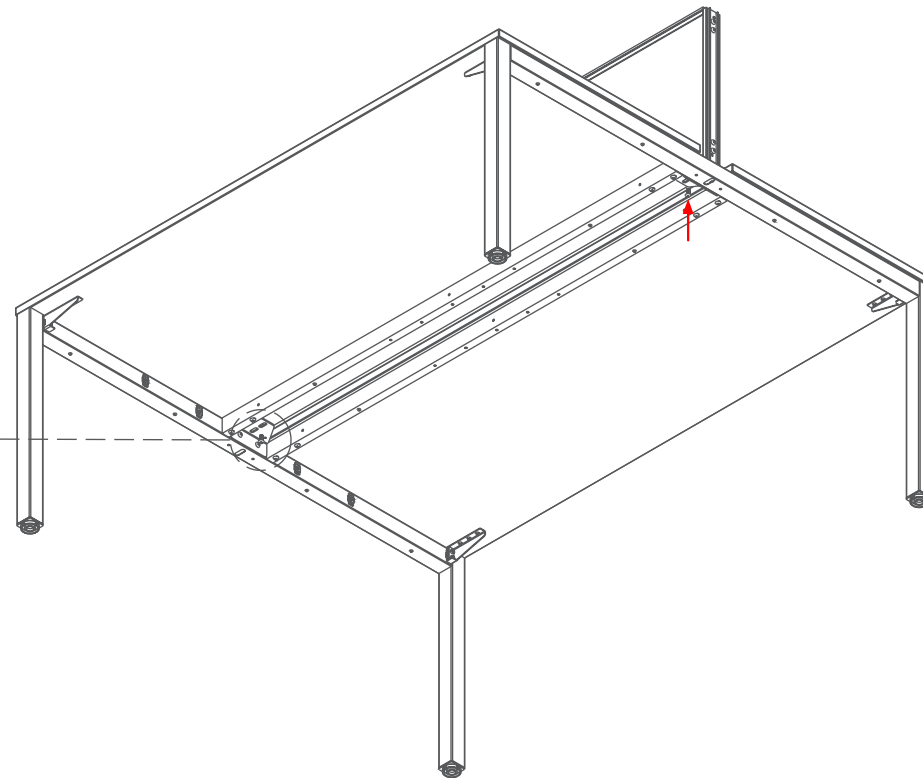
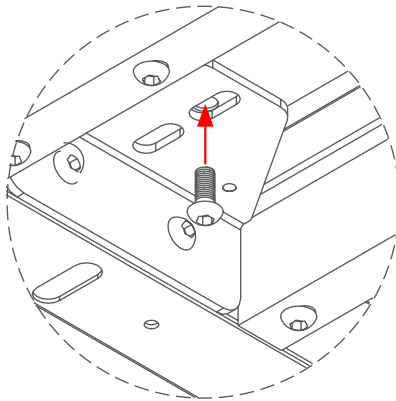
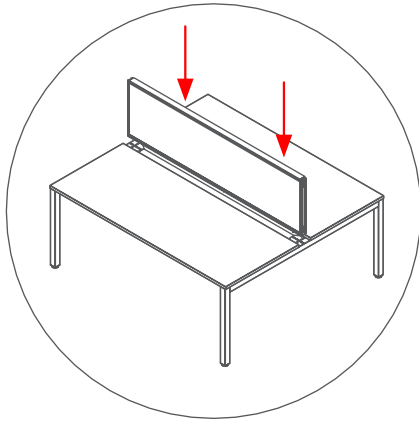




# Optional Studio50 Desk Mounted Screen

Assembly Instructions

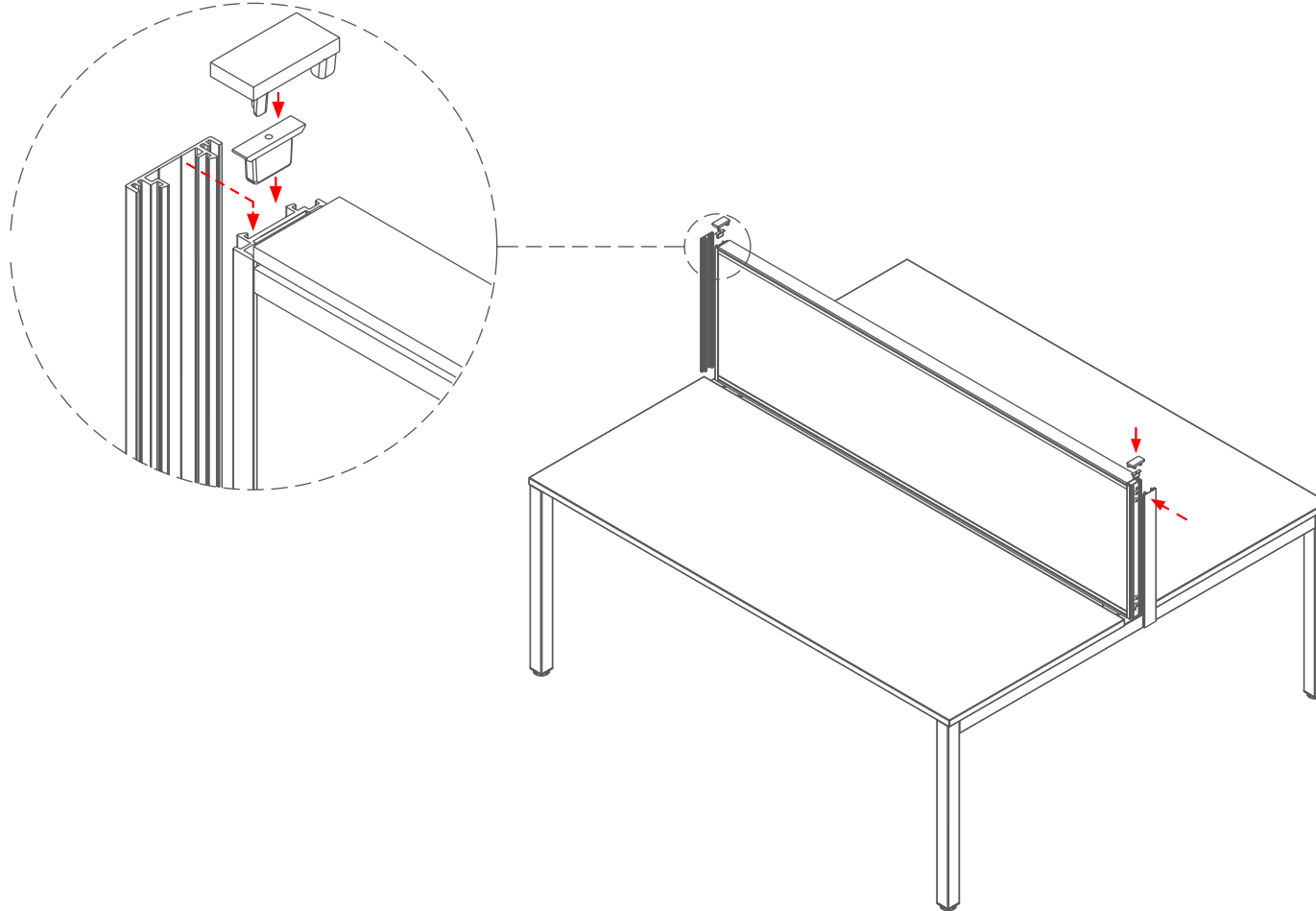
## STEP 2:



# Optional Studio50 Desk Mounted Screen

Assembly Instructions

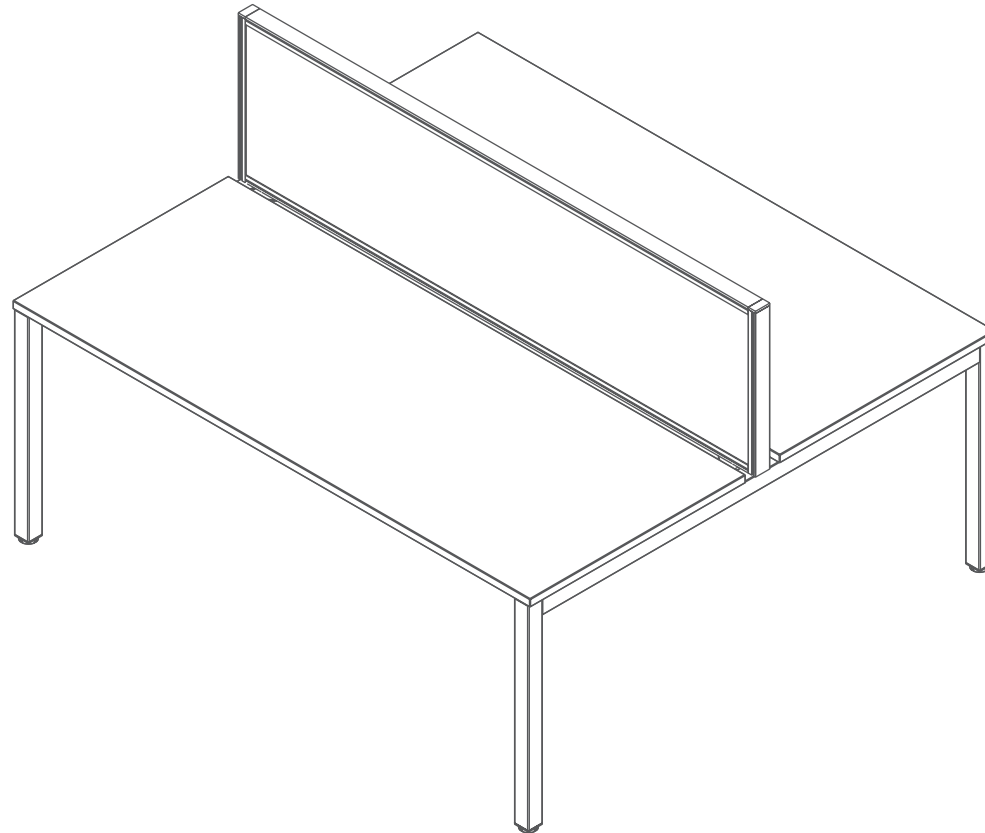
## STEP 3:



# Optional Studio50 Desk Mounted Screen

Assembly Instructions

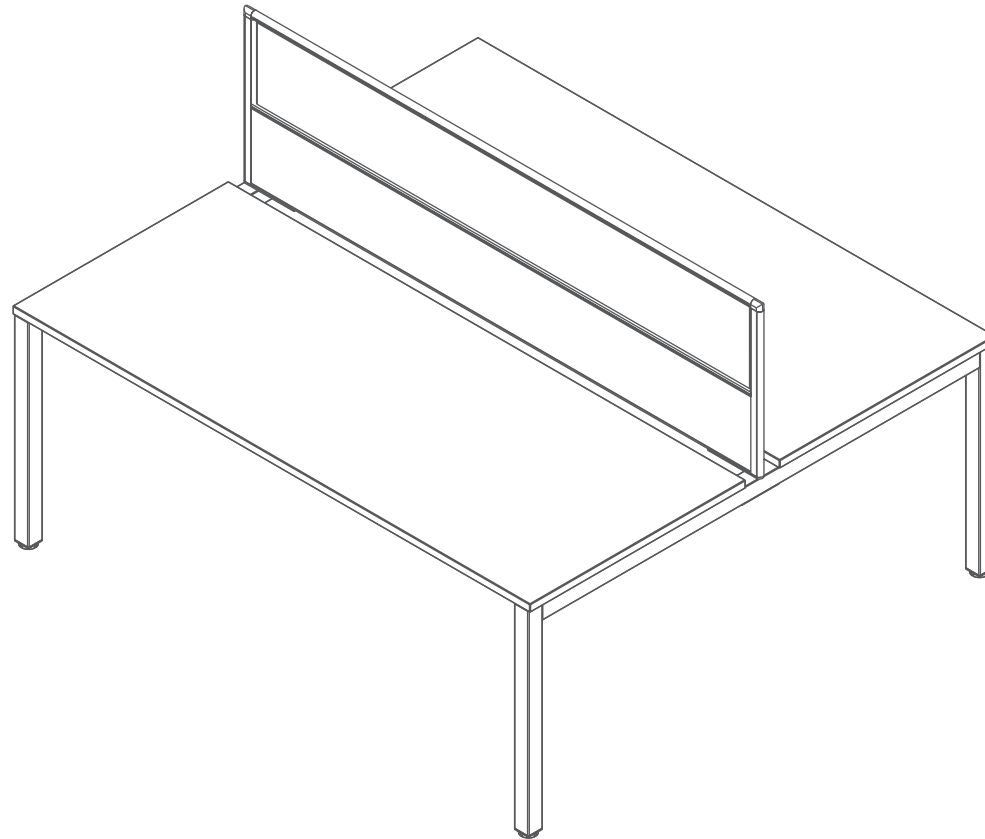
**Complete:**



# Optional 22mm Split Desk Mounted Screen

Assembly Instructions

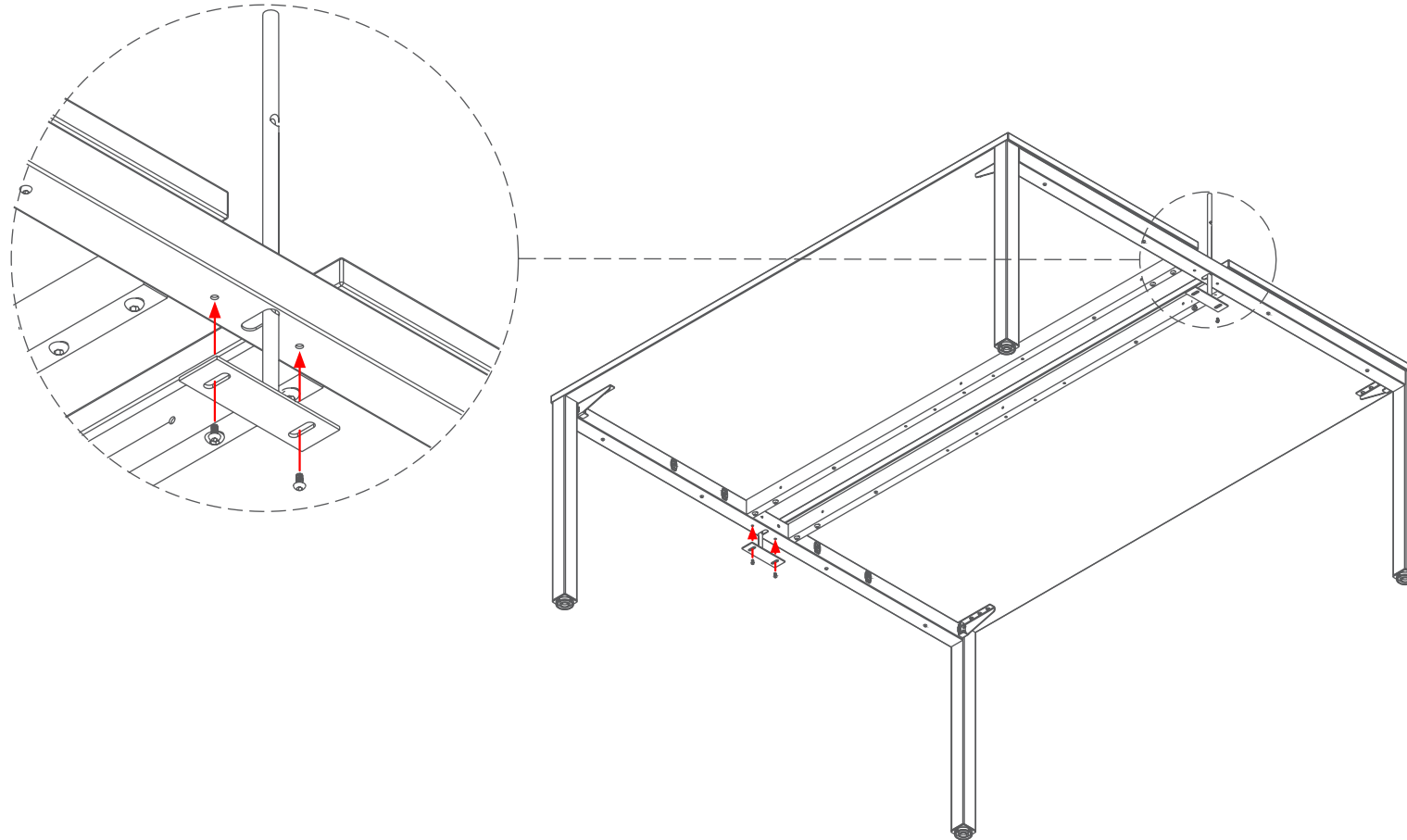
---



# Optional 22mm Split Desk Mounted Screen

Assembly Instructions

## STEP 1:

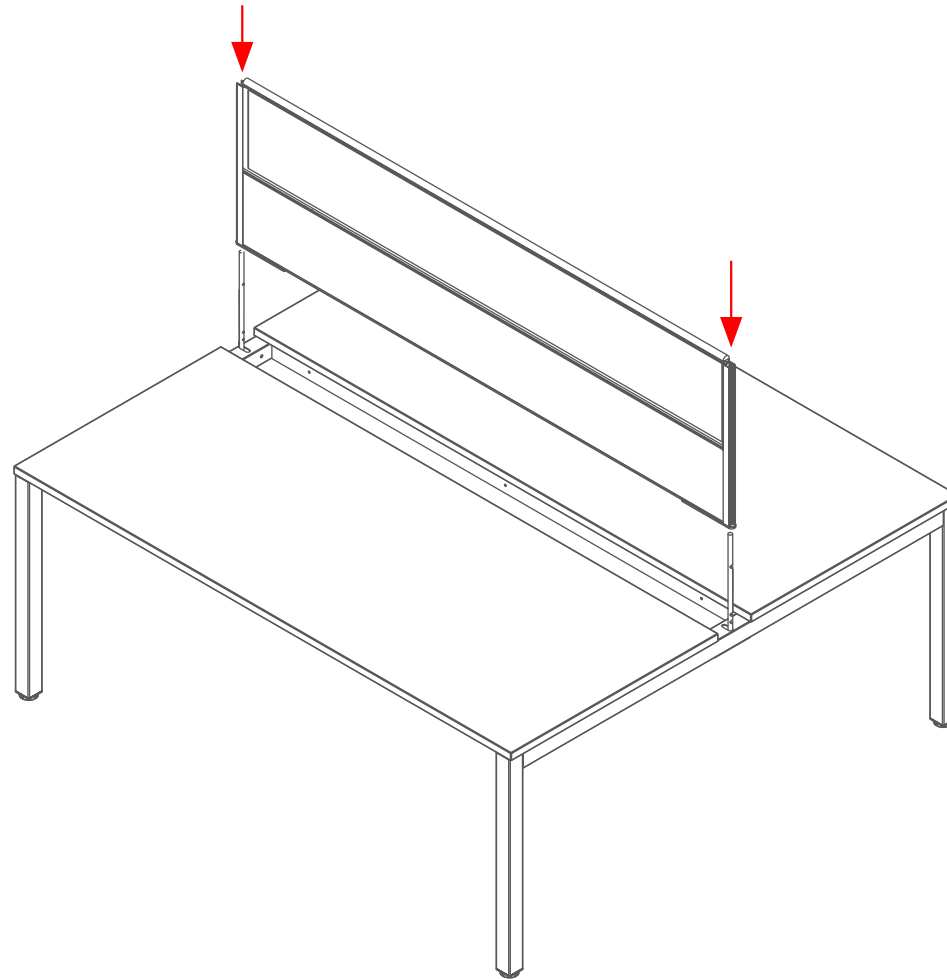


# Optional 22mm Split Desk Mounted Screen

Assembly Instructions

---

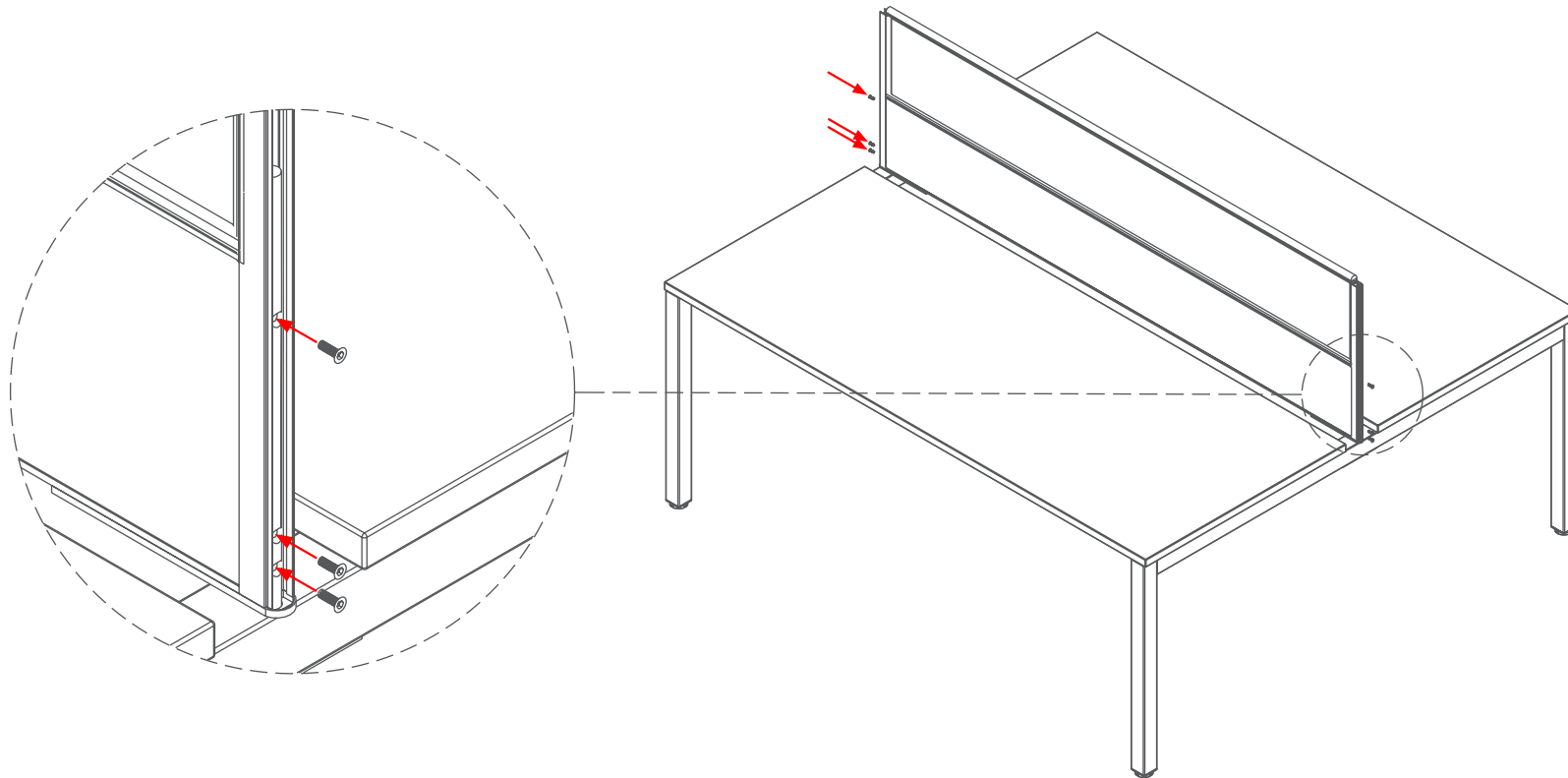
**STEP 2:**



# Optional 22mm Split Desk Mounted Screen

Assembly Instructions

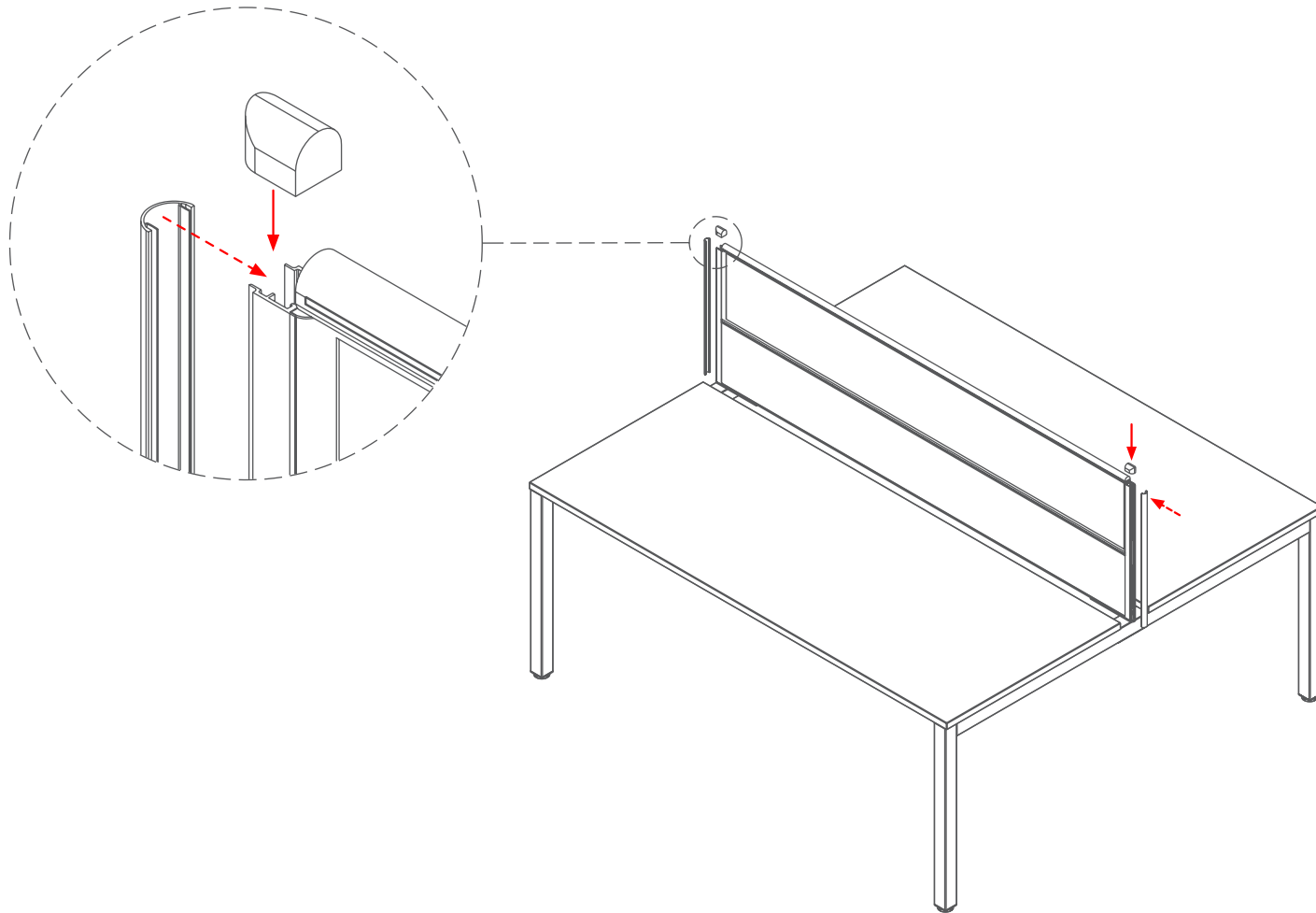
## STEP 3:



# Optional 22mm Split Desk Mounted Screen

Assembly Instructions

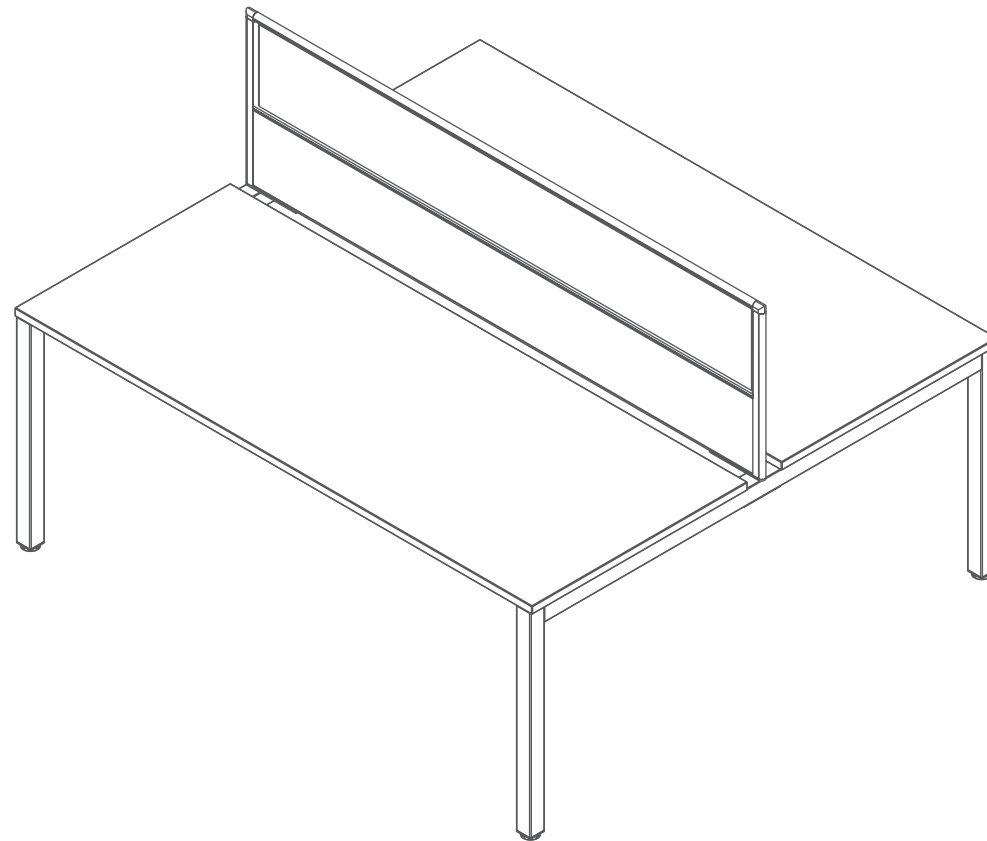
## STEP 4:





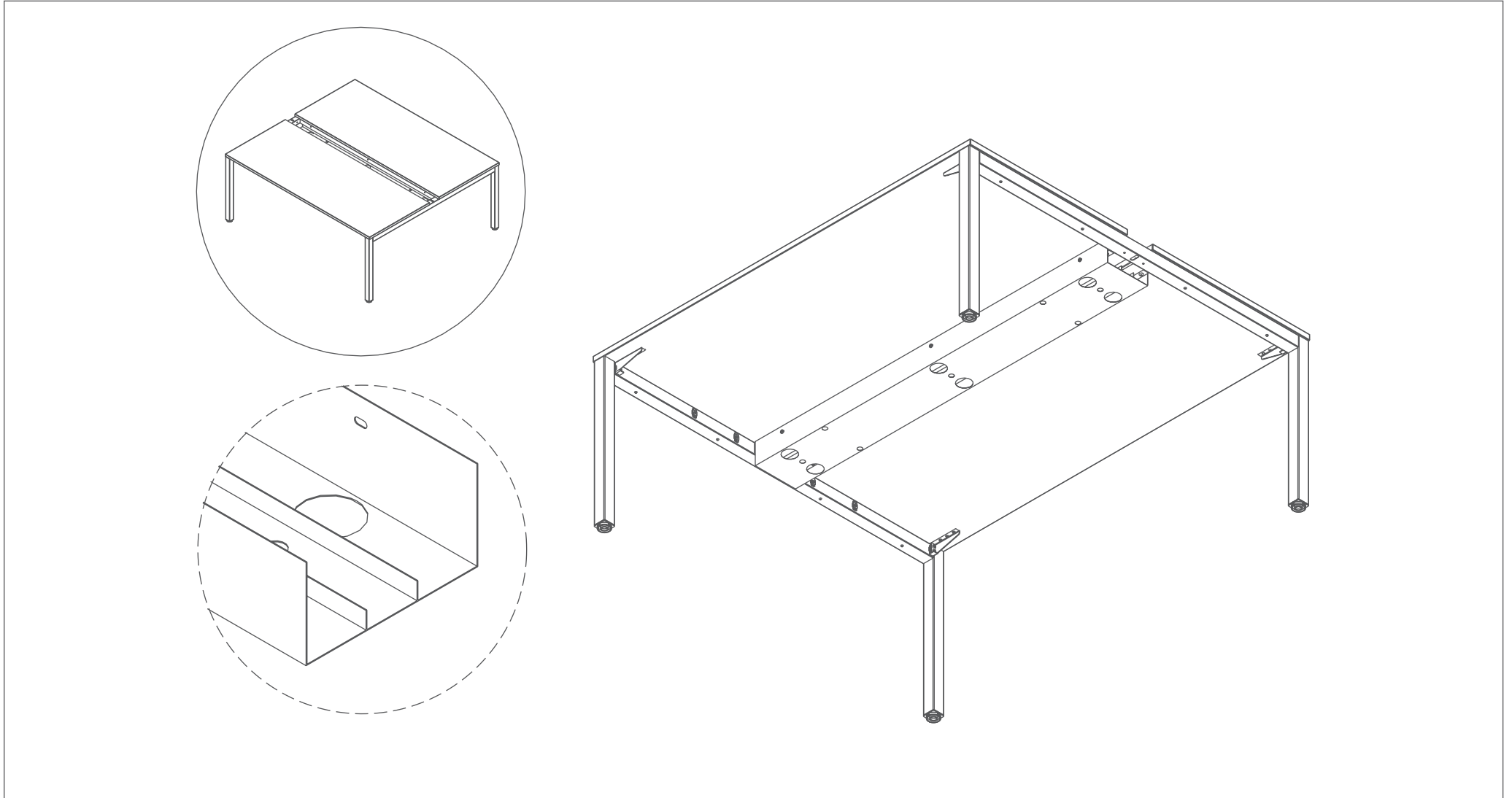
# Optional 22mm Split Desk Mounted Screen

Assembly Instructions



# Optional Double Sided Cable Tray

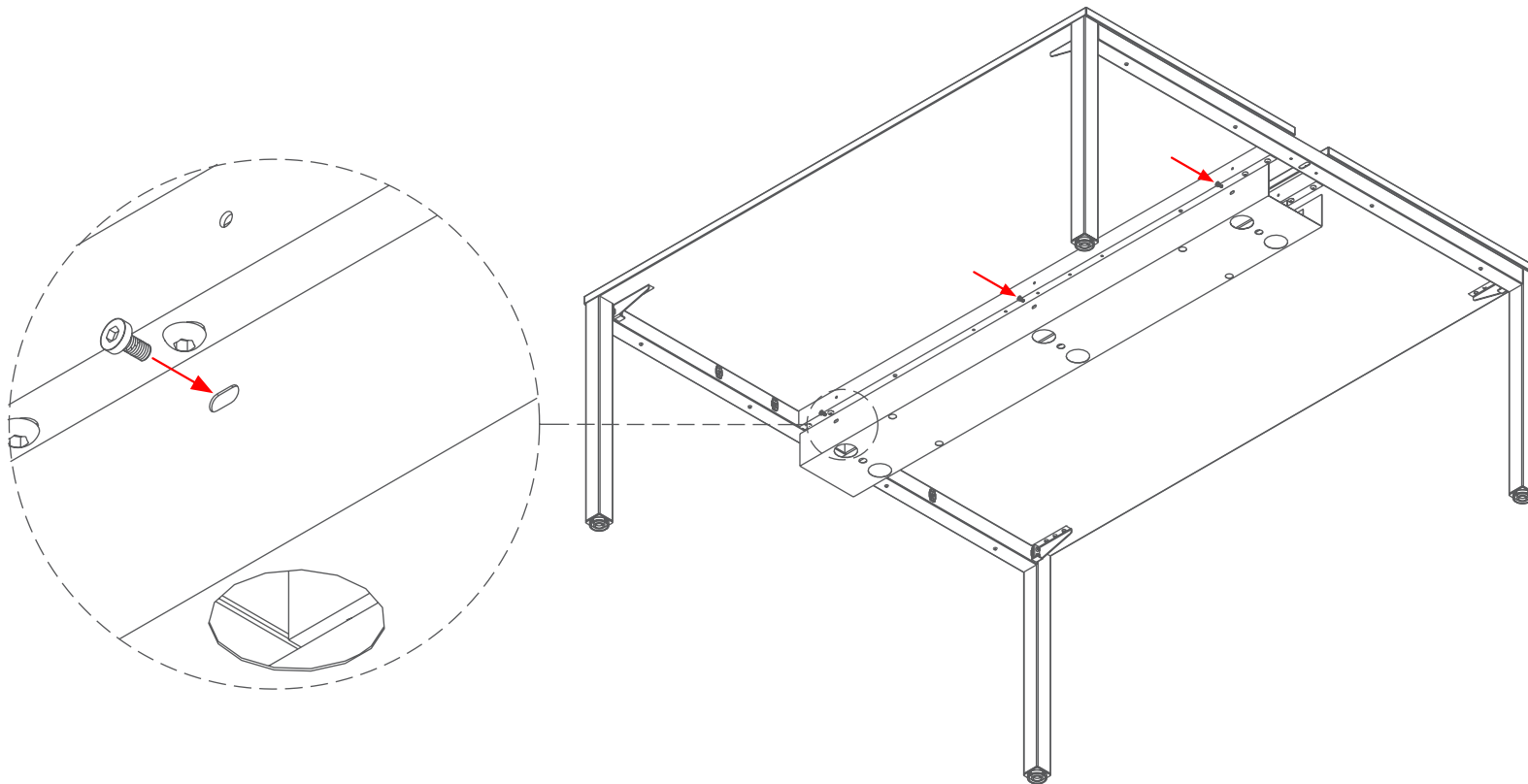
Assembly Instructions



# Optional Double Sided Cable Tray

Assembly Instructions

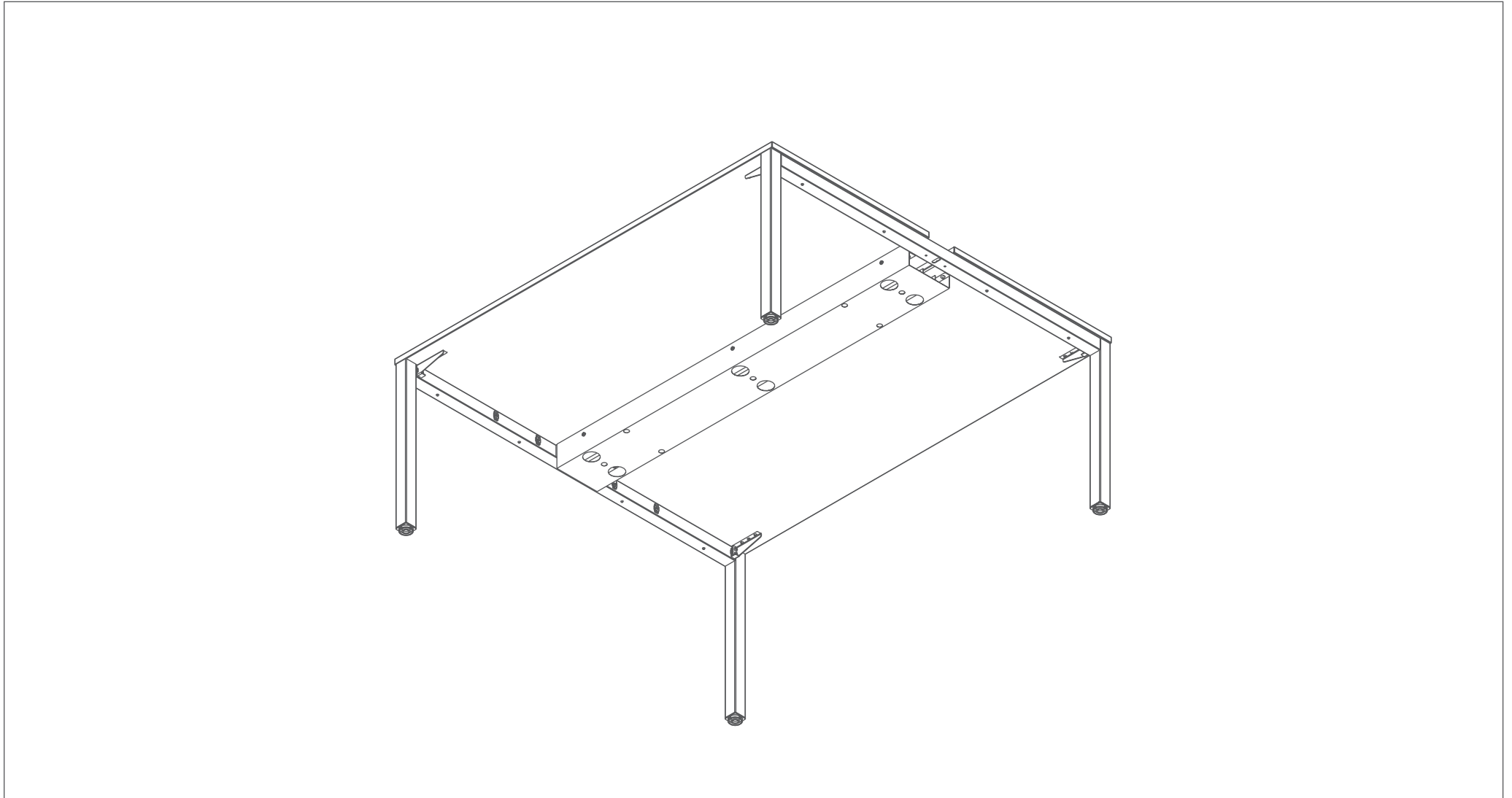
## STEP 1:



# Optional Double Sided Cable Tray

Assembly Instructions

---





**Sydney** 02 8188 2732

**Melbourne** 03 9111 0315

**Brisbane** 07 3733 1923

**Adelaide** 08 7111 0810

**Perth** 08 9468 2707

[info@olgoffice.com](mailto:info@olgoffice.com)

[myolg.online](http://myolg.online) | [olgoffice.com](http://olgoffice.com) | [officedesigner.net](http://officedesigner.net) | [motionoffice.com](http://motionoffice.com)