

# Axis Bar Leaner - Double

## Installation Guide

---

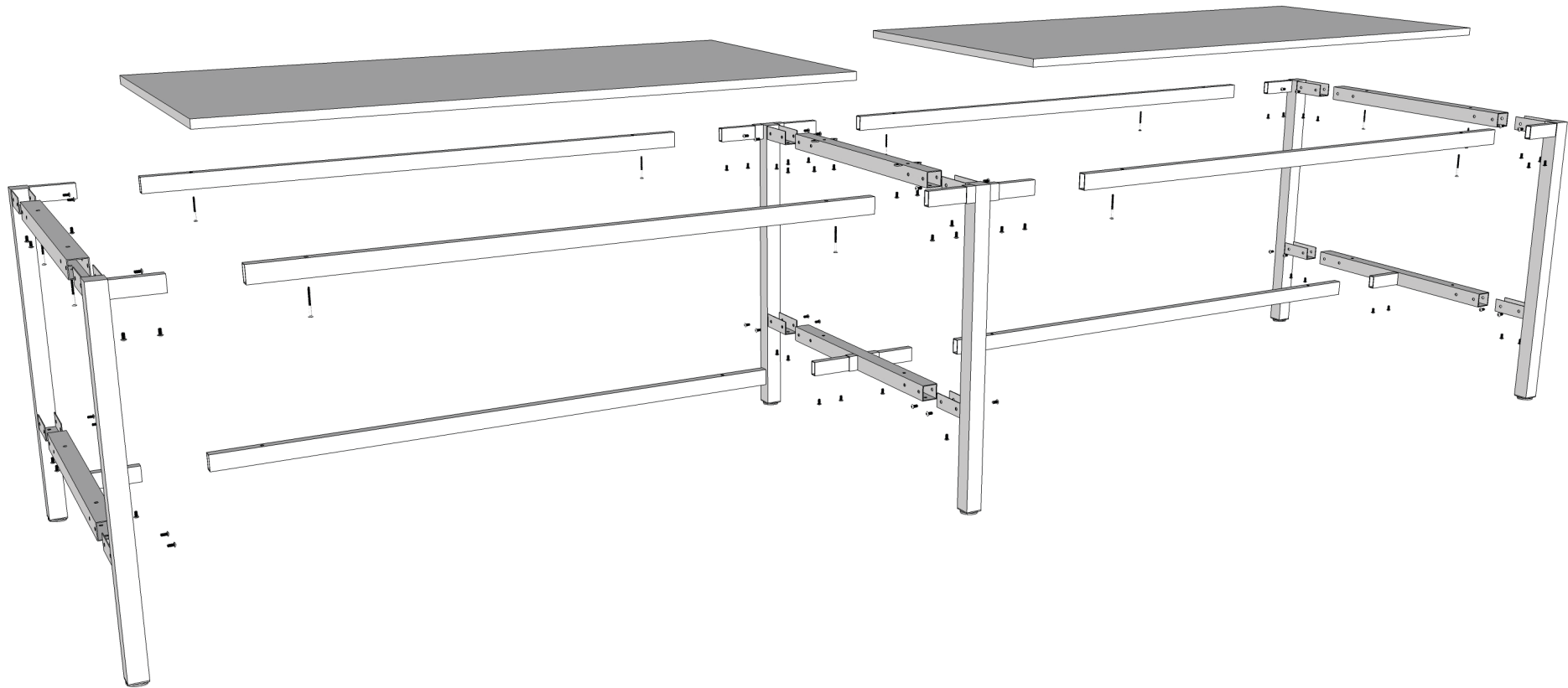
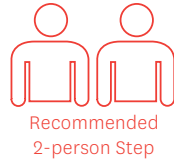
**TOOLS REQUIRED:** Powered screwdriver



# AXIS BAR LEANER - DOUBLE

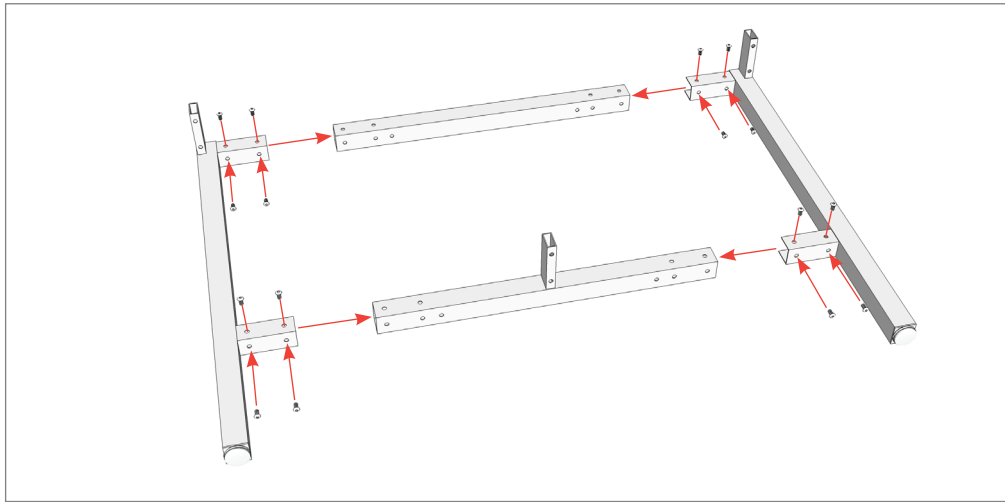
## Installation Guide

\* To prevent possible scratches or damage, assemble the desk/table on a soft surface such as a blanket, carpet or packaging.

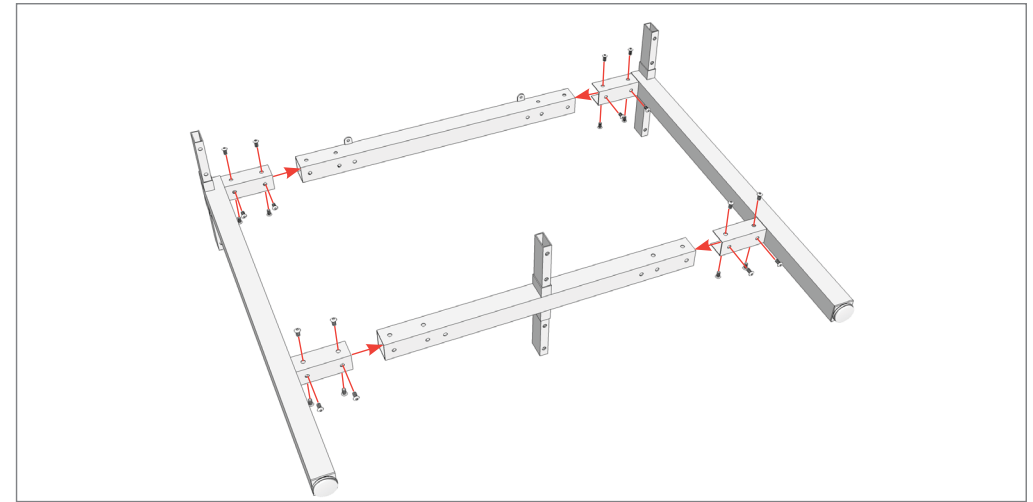


# AXIS BAR LEANER - DOUBLE

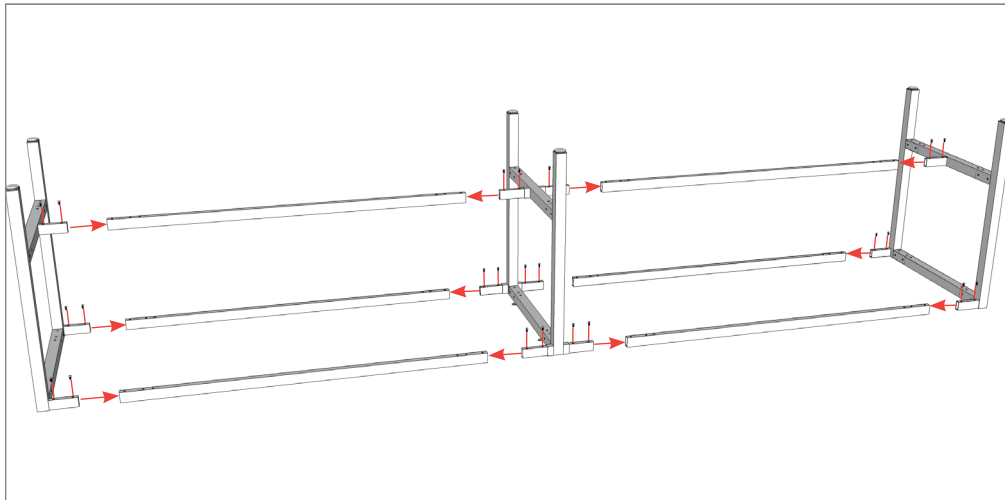
## Installation Guide



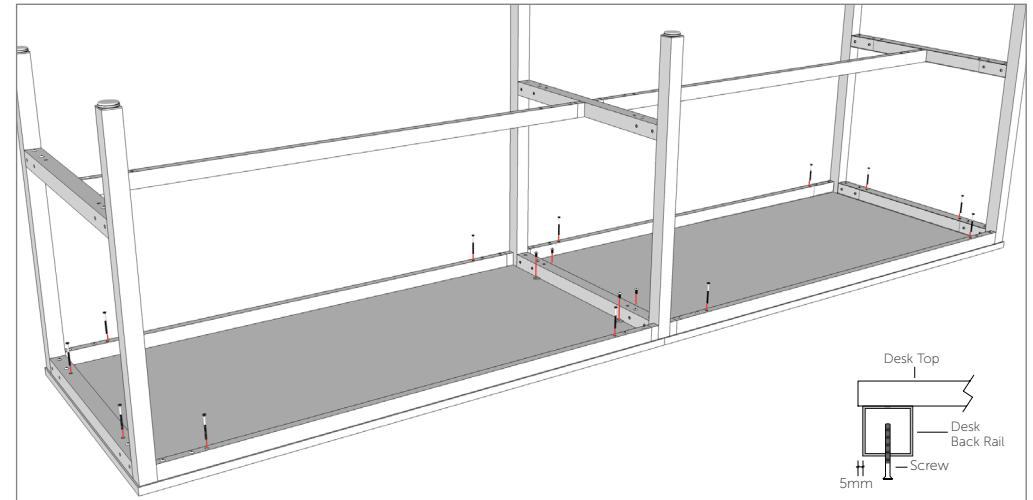
**STEP 1:** Assemble corner legs and short rails together and fully tighten with provided screws.



**STEP 2:** Assemble center legs and short rails together and fully tighten with provided screws.



**STEP 3:** Assembly leg frames and long rails together and fully tighten with provided screws.



**COMPLETE:** Pre-drill holes into the worktop, place worktop on a clean, flat surface and fully tighten the worktop to each rail using the provided screws. Using 2 people rotate table into upright position.