

Axis Coffee Table

Installation Guide

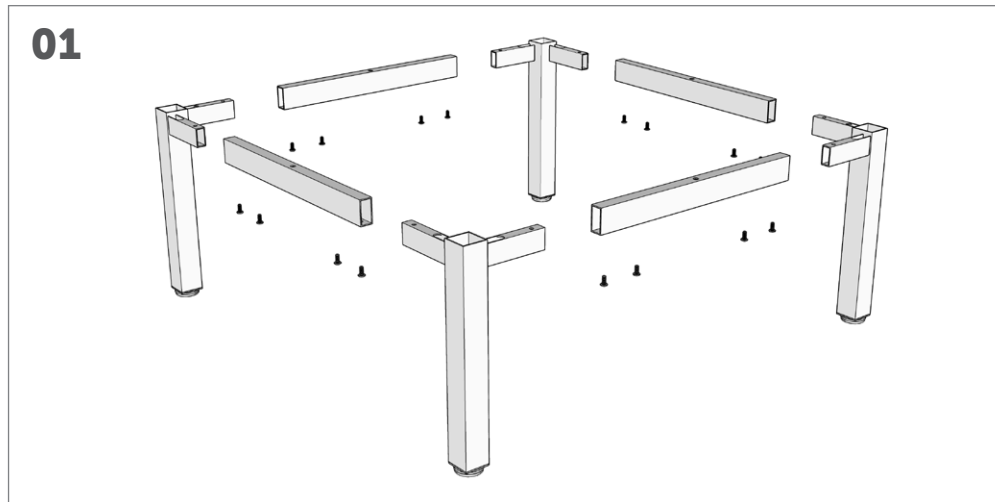
TOOLS REQUIRED: Powered screwdriver

Axis Desking

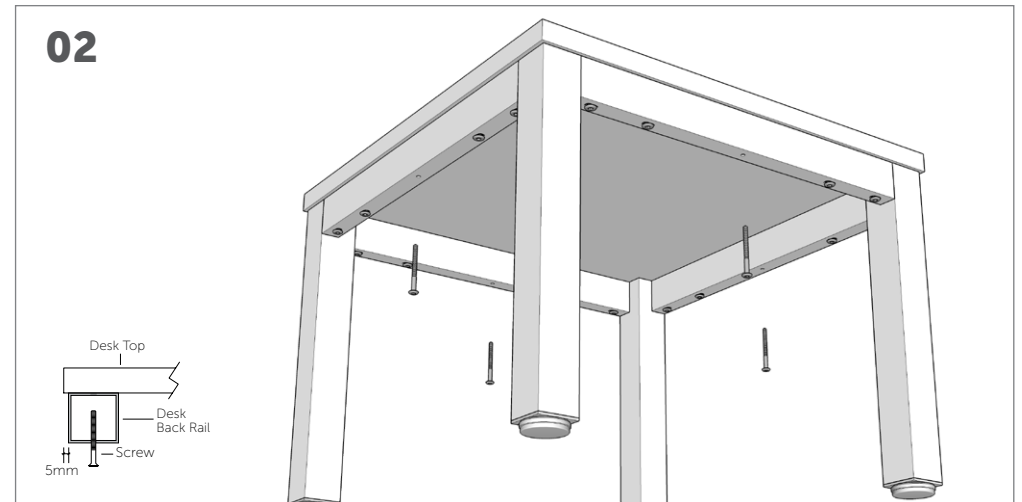
INSTALLATION GUIDE



Office Link Group.



Assemble frames and rails together, loosely (1 turn from tight).



Fix worksurface with 5mm overhang to frame, then fully tighten all rail to frame screws.

