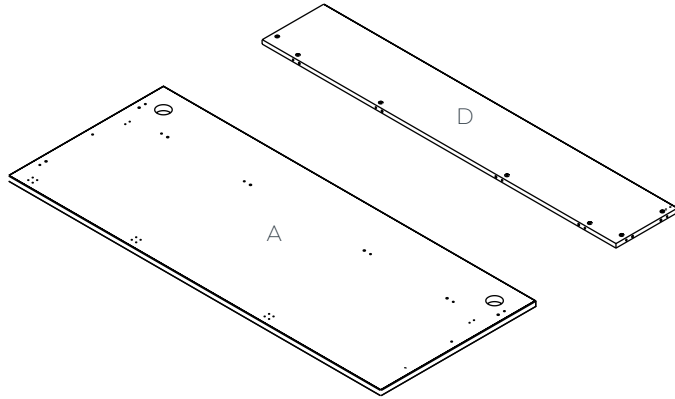


EkoSystem SSD

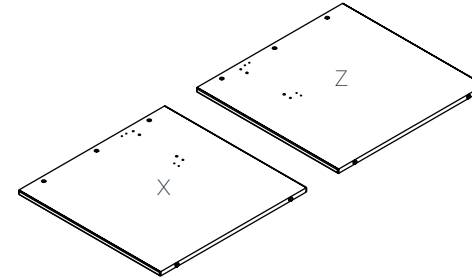
Assembly Instructions

EkoSystem SSD

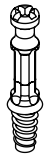
Components List



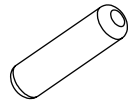
Top Panel (A) & Back Panel (D)



Left Side Panel (X) & Right Side Panel (Z)



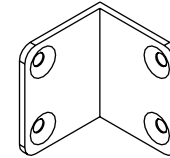
14 - 6 x 35mm Cam Bolts



12 - 8 x 30mm Dowel Pin



14 - 5/8" Cam Cover



4 x Bracket



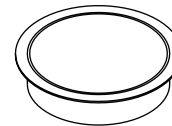
16 - 4 x 16mm Screw



Pre-installed Parts:



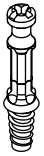
Cam



Cable Port Cover

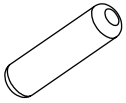


STEP 1:



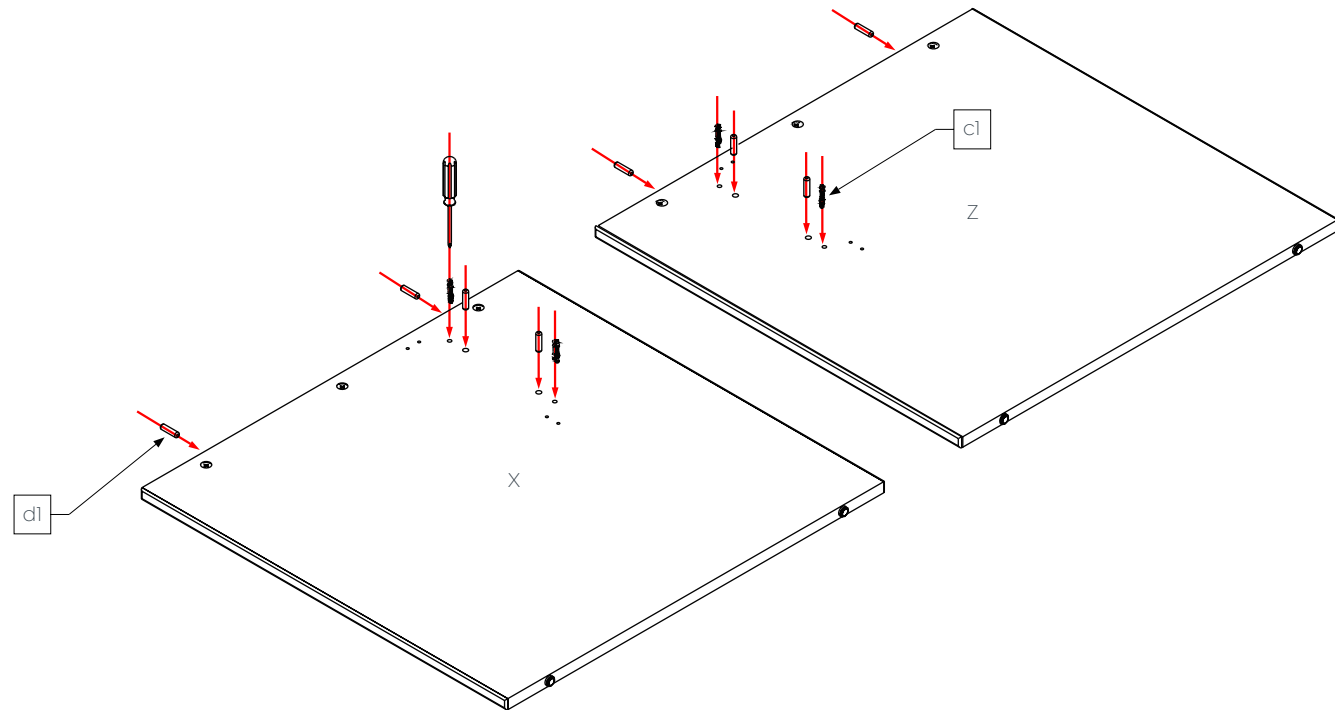
4 - 6 x 35mm
Cam Bolts

cl



4 - 8 x 30mm
Dowel Pin

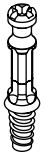
dl



EkoSystem SSD

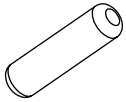
Assembly Instructions

STEP 1.5:



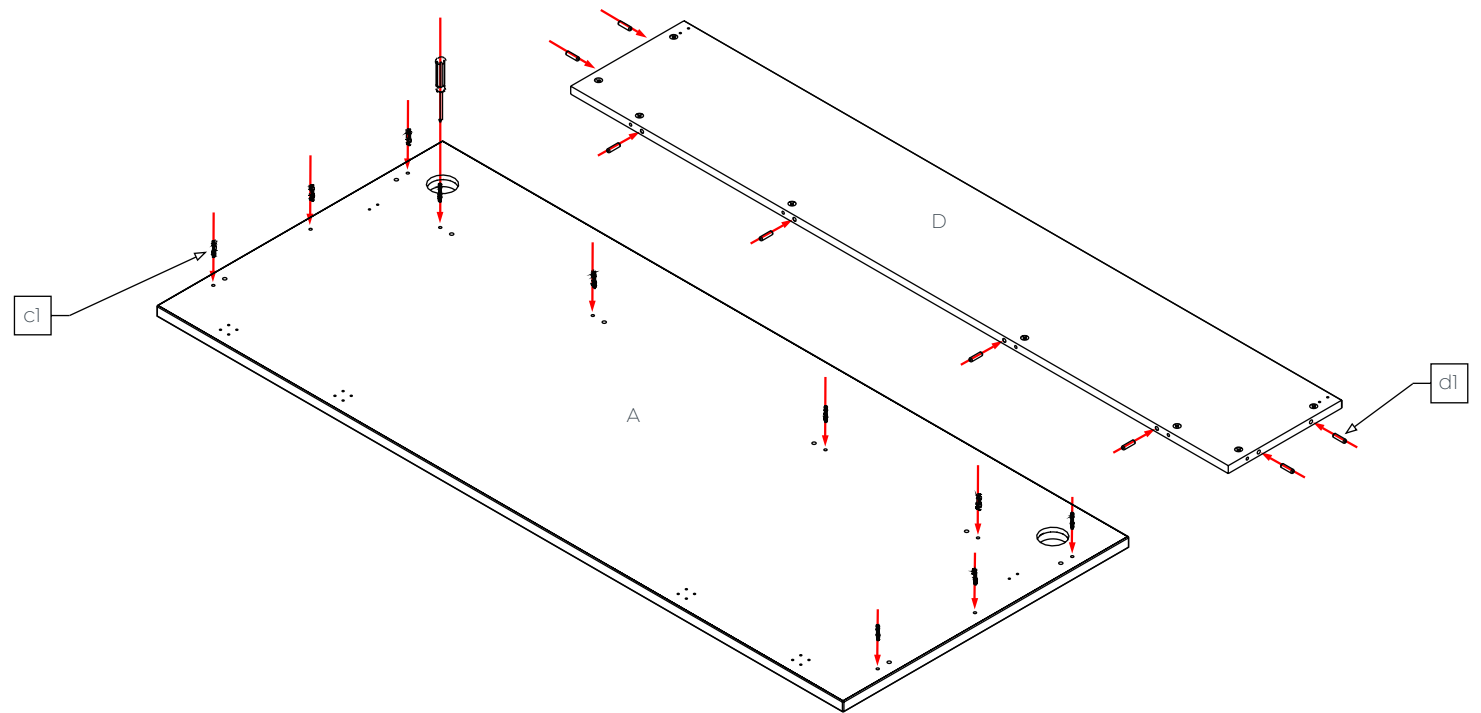
10 - 6 x 35mm
Cam Bolts

cl

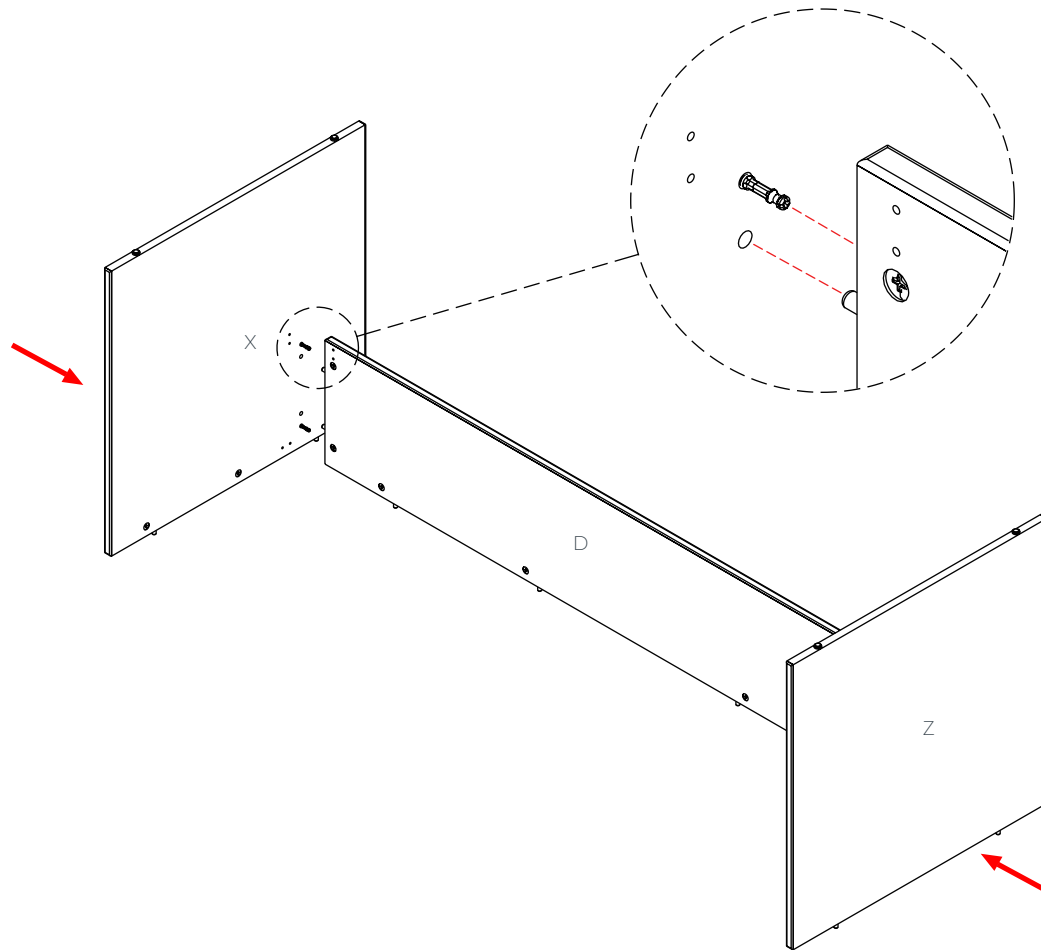


8 - 8 x 30mm
Dowel Pin

d1



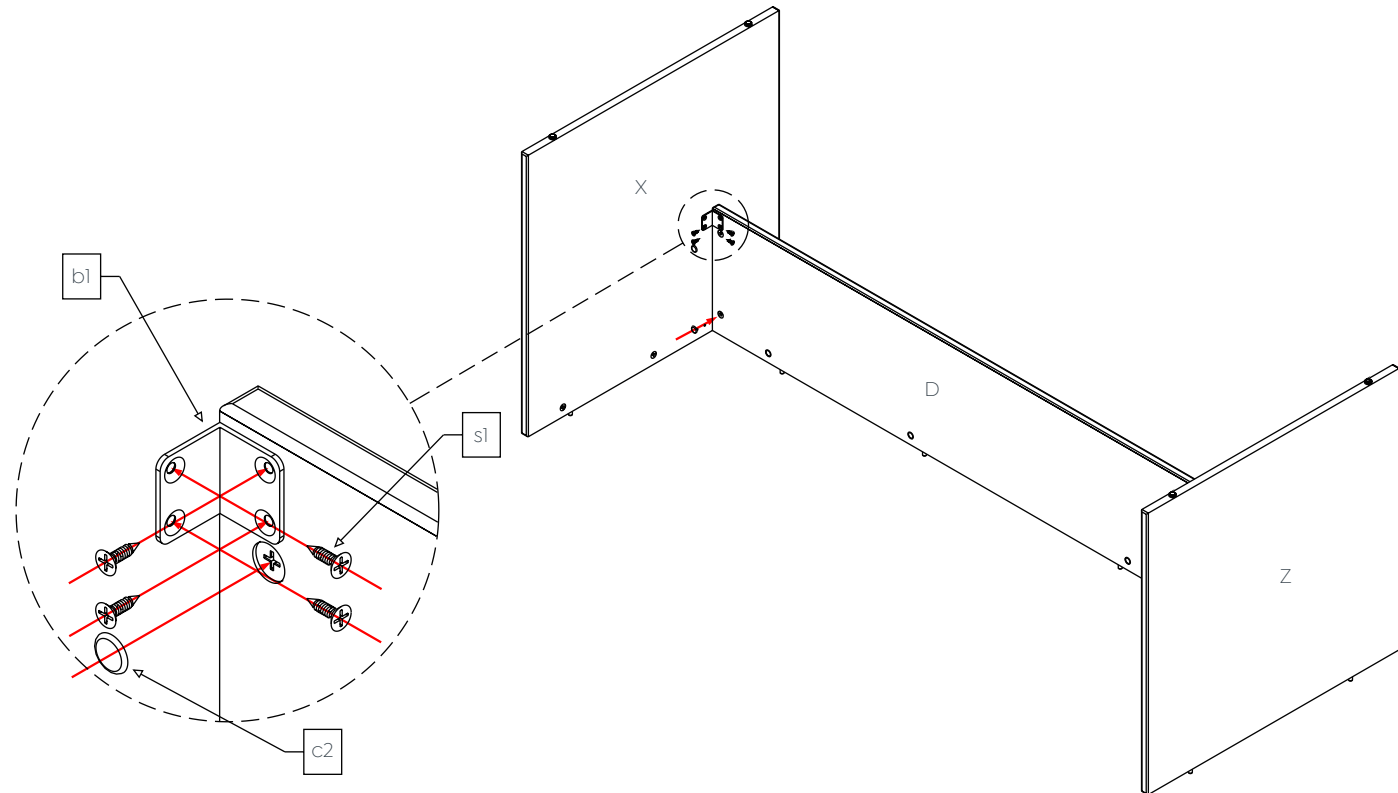
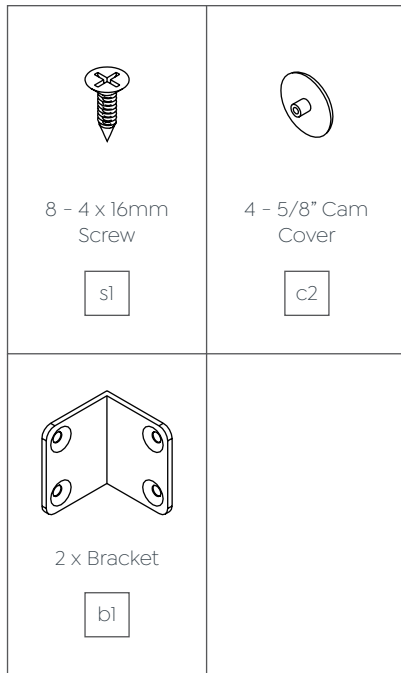
STEP 2:



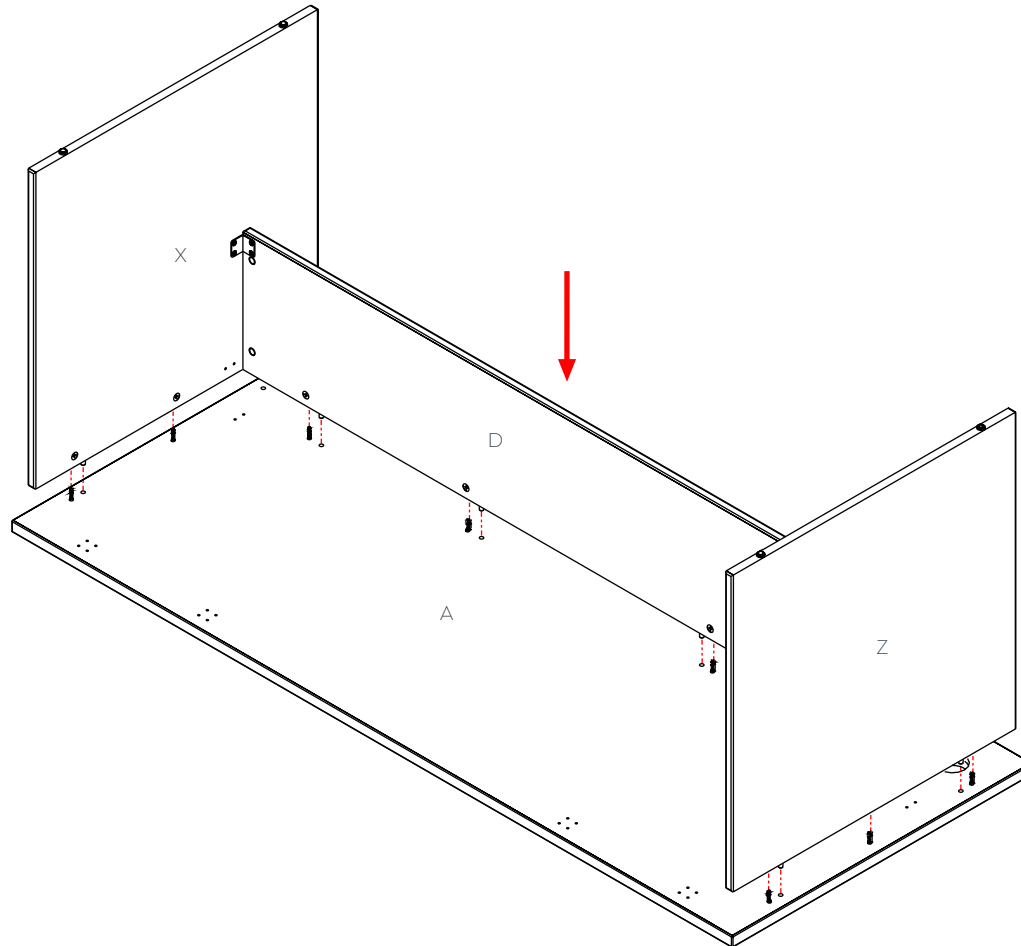
EkoSystem SSD

Assembly Instructions

STEP 3:



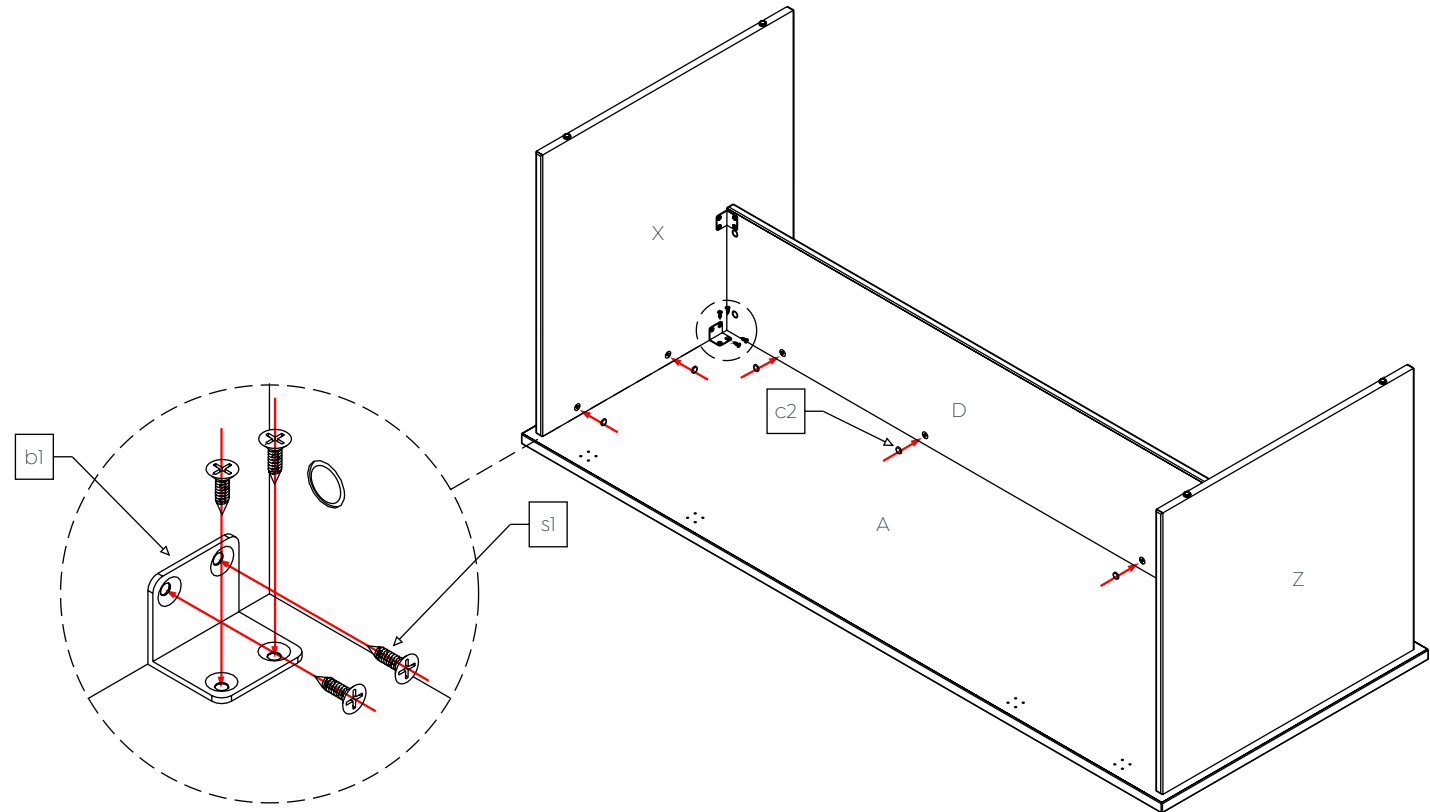
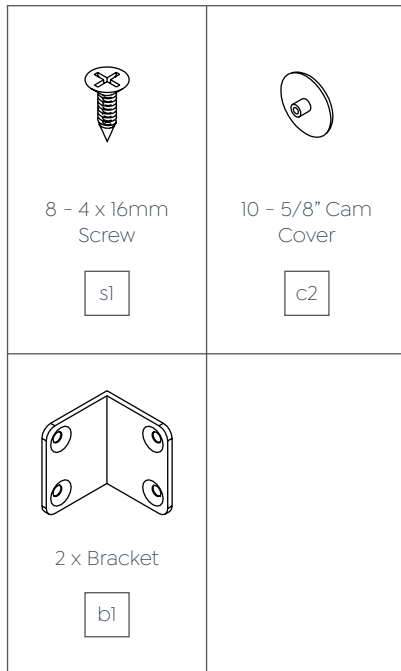
STEP 4:



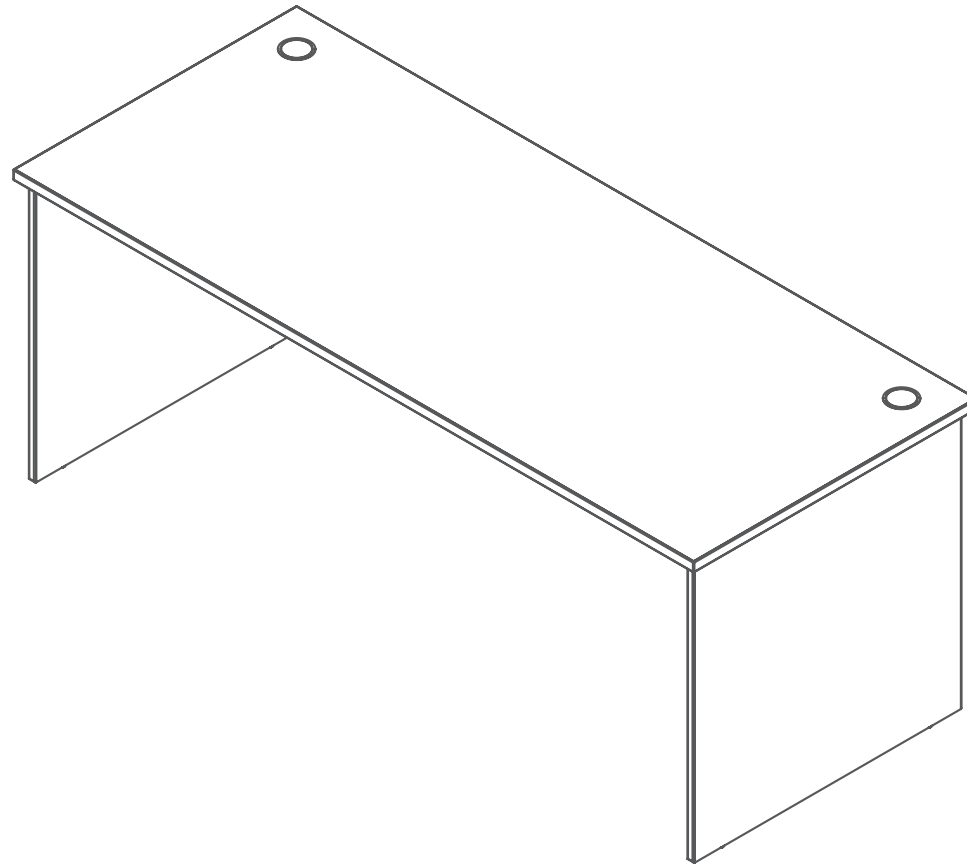
EkoSystem SSD

Assembly Instructions

STEP 5:



STEP 6:





Sydney 02 8188 2732
Melbourne 03 9111 0315
Brisbane 07 3733 1923
Adelaide 08 7111 0810
Perth 08 9468 2707

info@olgoffice.com

myolg.online | olgoffice.com | officedesigner.net | motionoffice.com