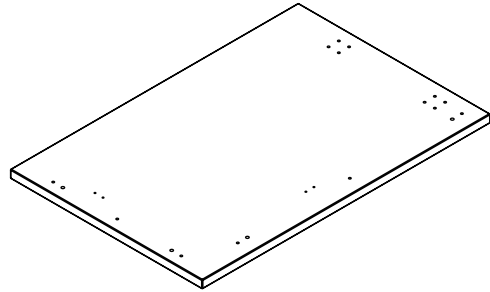


EkoSystem 900 x 600mm Fixed Return

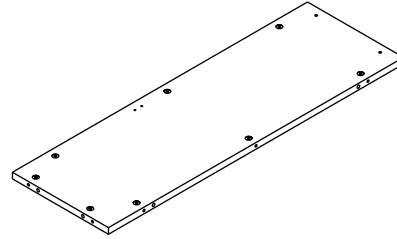
Assembly Instructions

EkoSystem 900 x 600mm Fixed Return

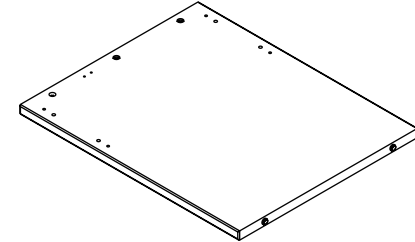
Components List



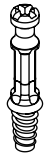
Partition (Y1)



Back Panel (D1)

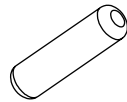


Top Panel (A1)



8 - 6 x 35mm Cam Bolts

c1



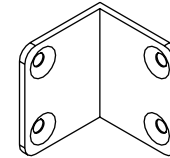
6 - 8 x 30mm Dowel Pin

d1



11 - 5/8" Cam Cover

c2



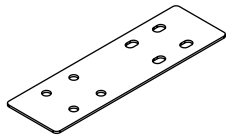
2 x Bracket

b1



16 - 4 x 16mm Screw

s1



2 - 60mm x 200mm Connector

c5



16 - 6 x 12mm Screw

c5



2 - 6 x 25mm Screw

c5

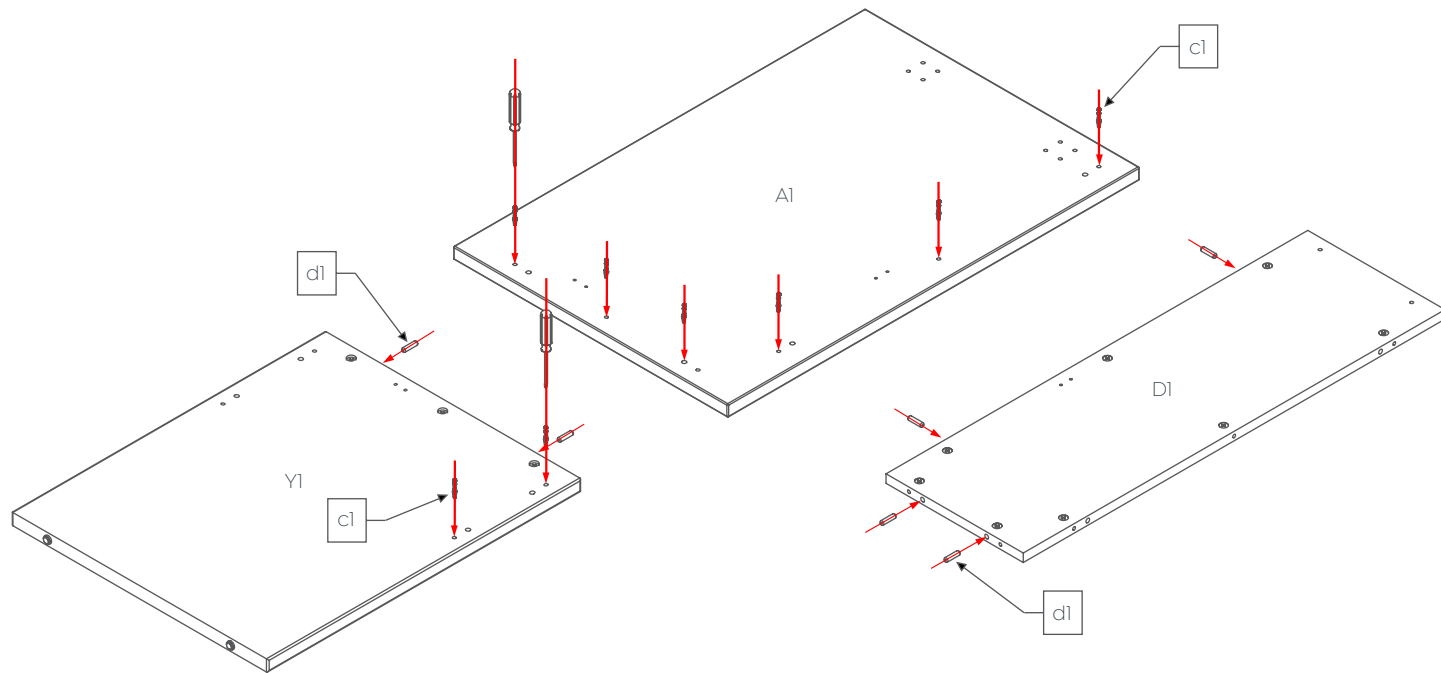
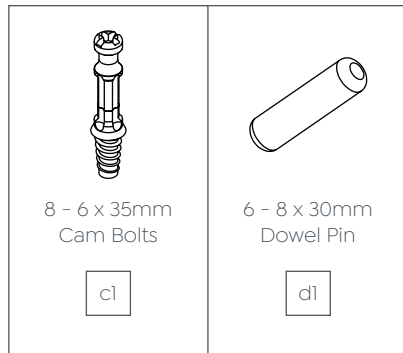
Pre-installed Parts:



Cam

c5

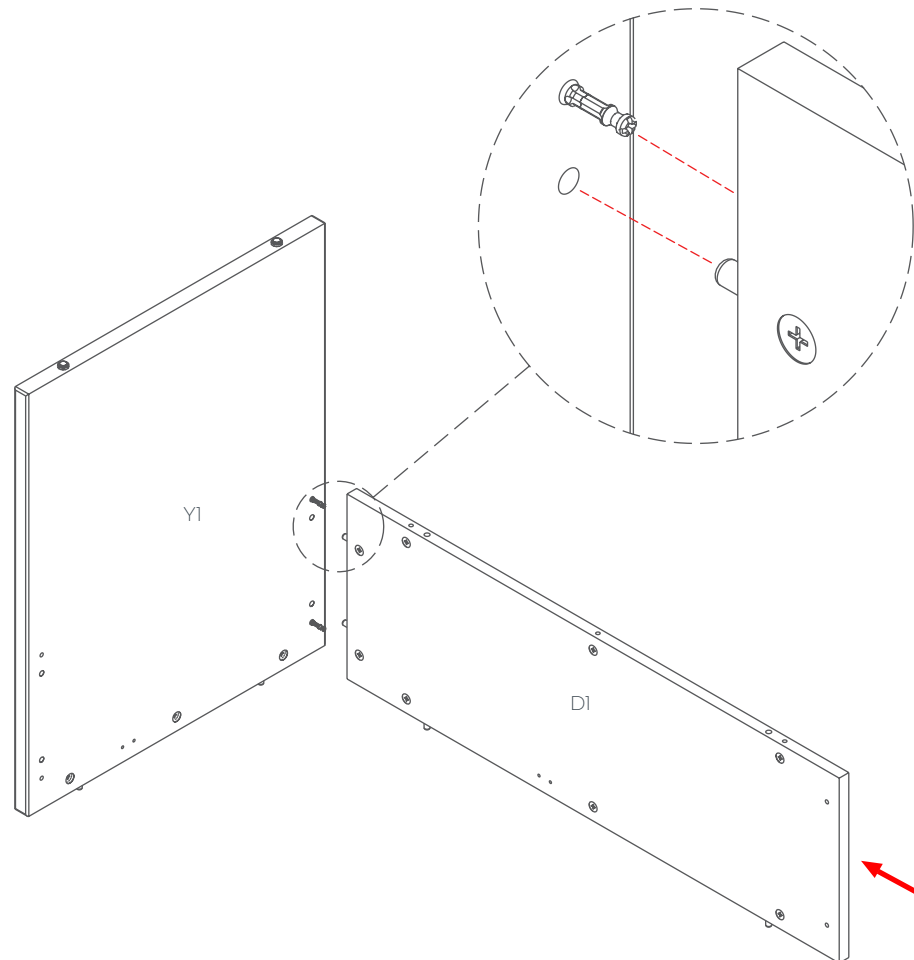
STEP 1:



EkoSystem 900 x 600mm Fixed Return

Assembly Instructions

STEP 2:

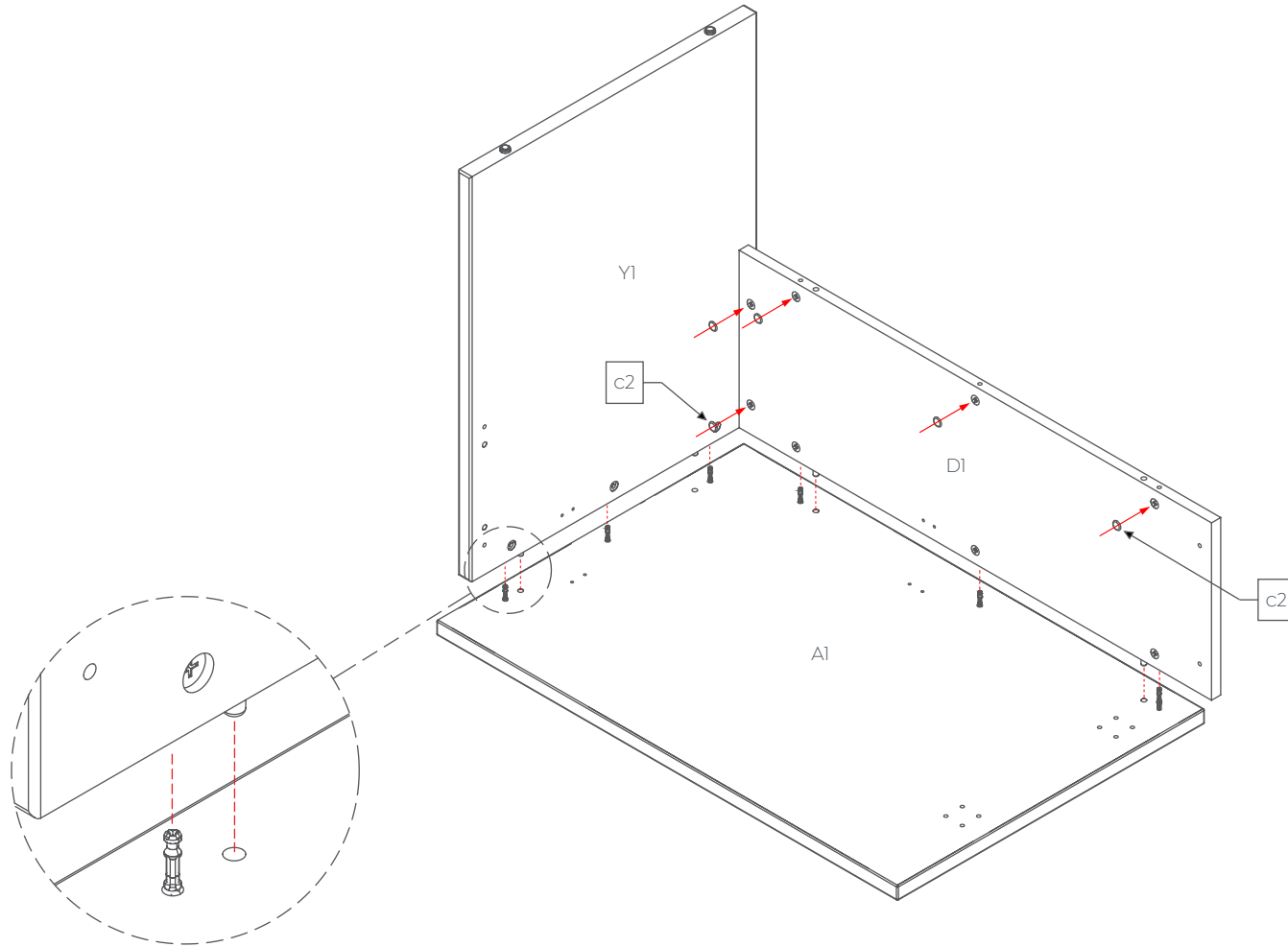


STEP 3:



5 - 5/8" Cam
Cover

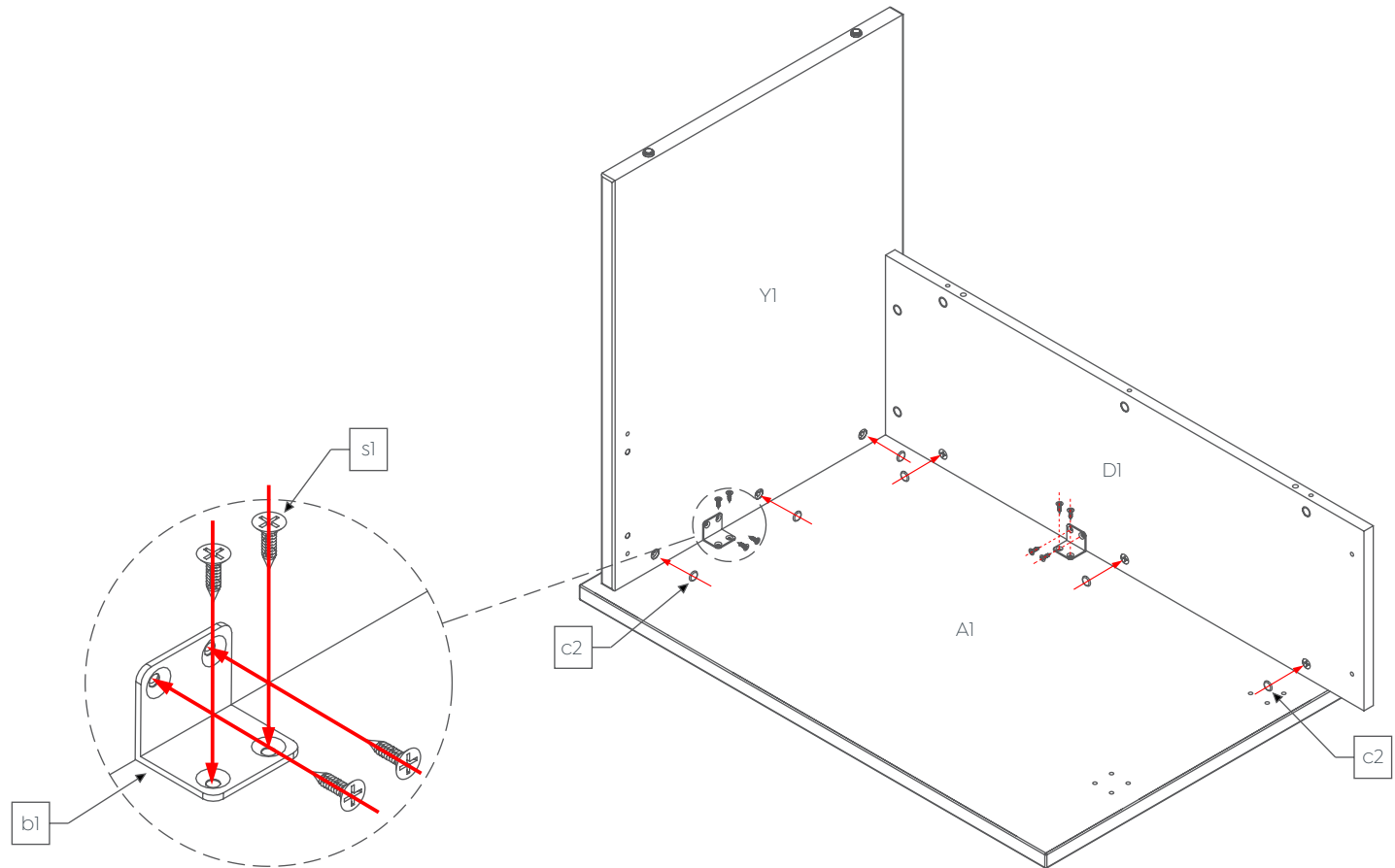
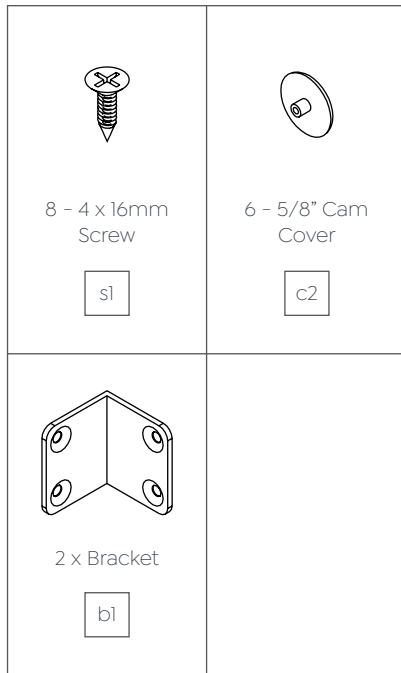
c2



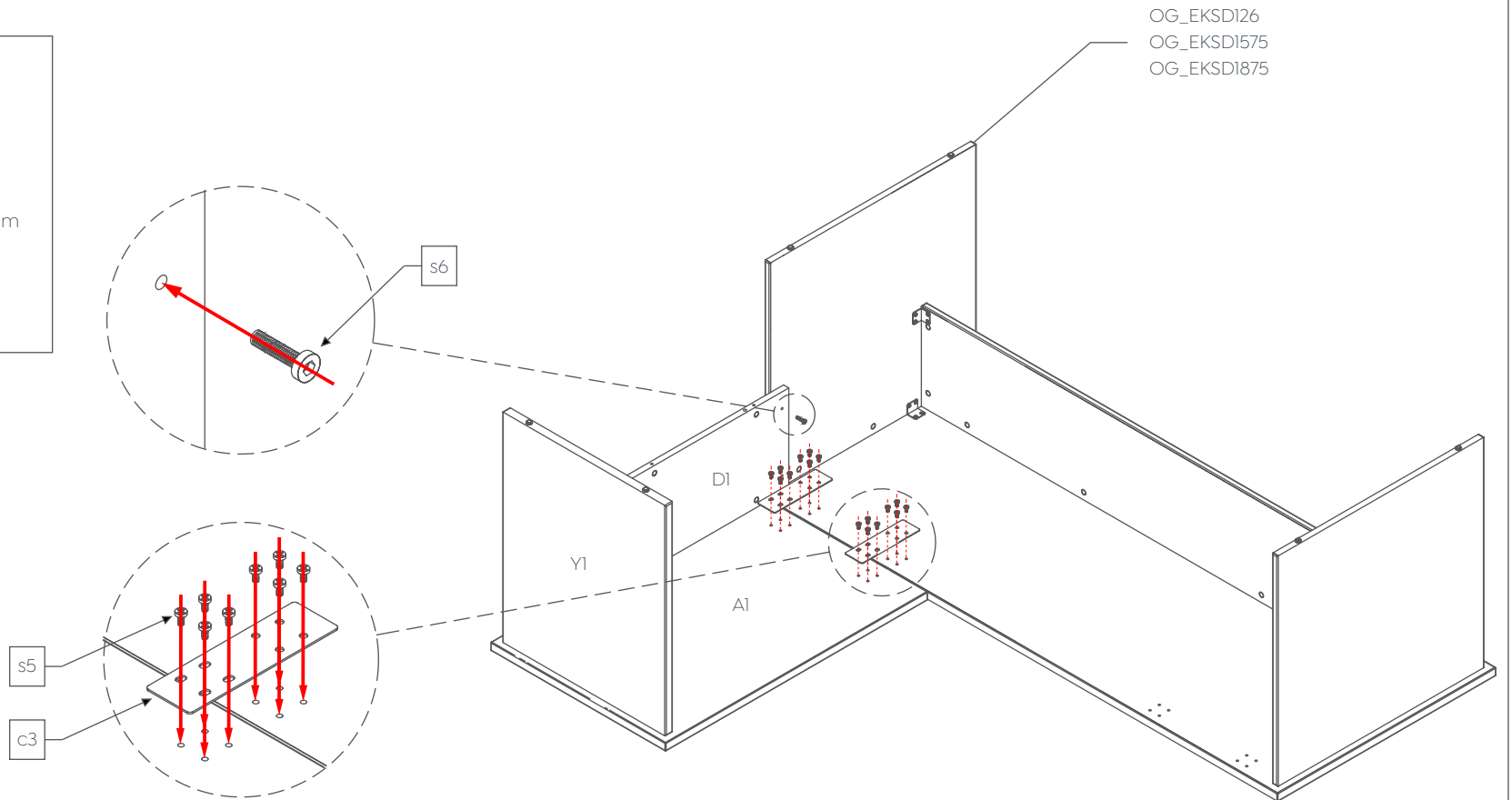
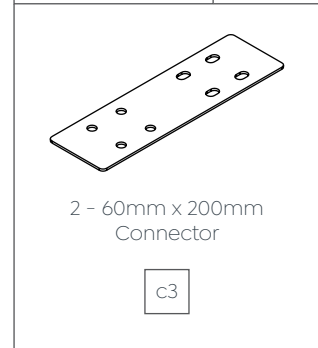
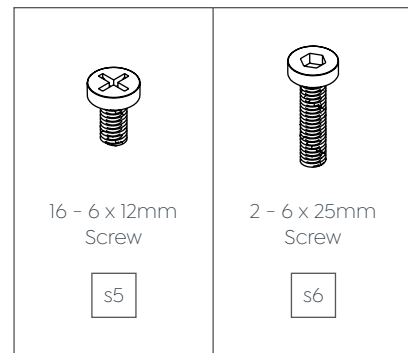
EkoSystem 900 x 600mm Fixed Return

Assembly Instructions

STEP 4:



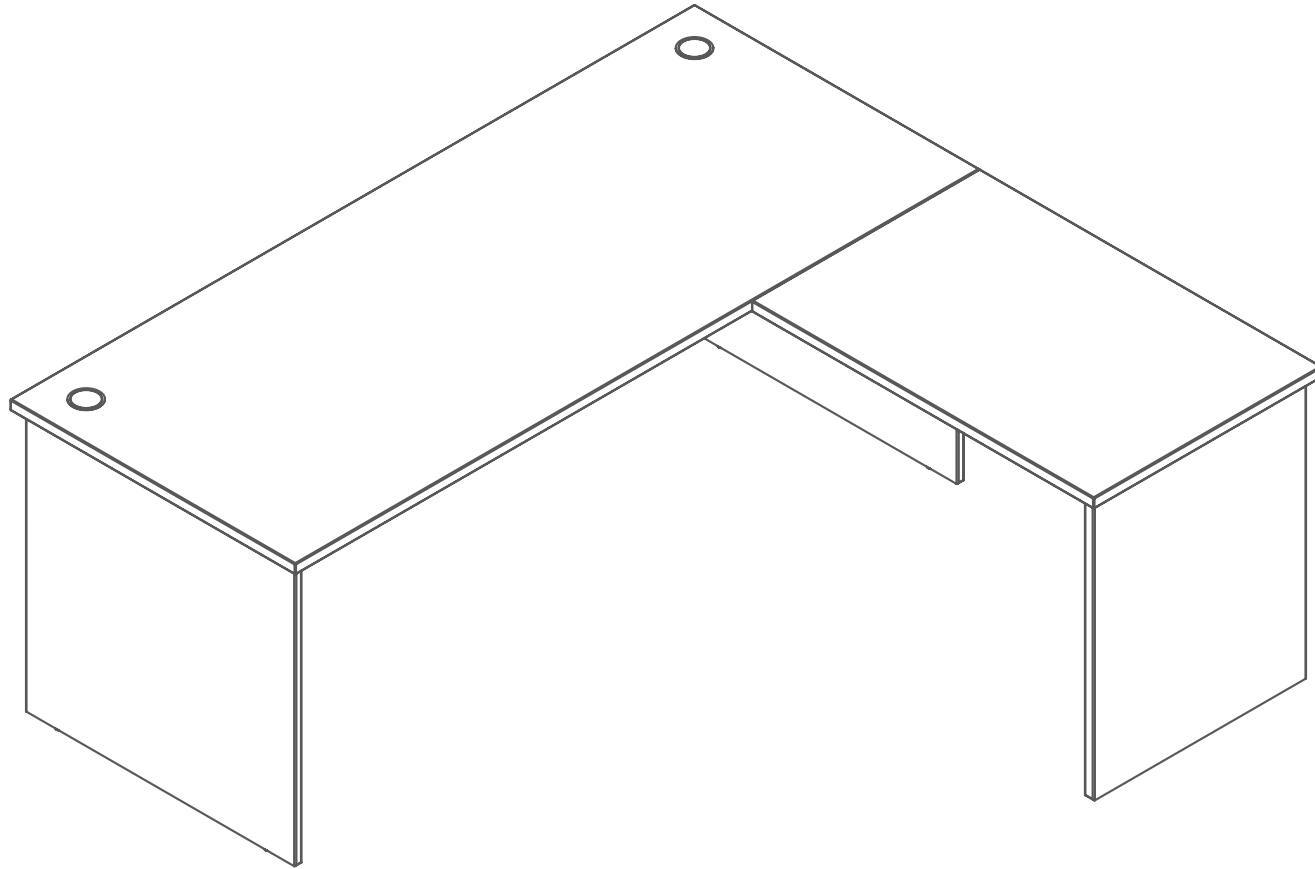
STEP 5:



EkoSystem 900 x 600mm Fixed Return

Assembly Instructions

STEP 6:





Sydney 02 8188 2732
Melbourne 03 9111 0315
Brisbane 07 3733 1923
Adelaide 08 7111 0810
Perth 08 9468 2707

info@olgoffice.com

myolg.online | olgoffice.com | officedesigner.net | motionoffice.com