

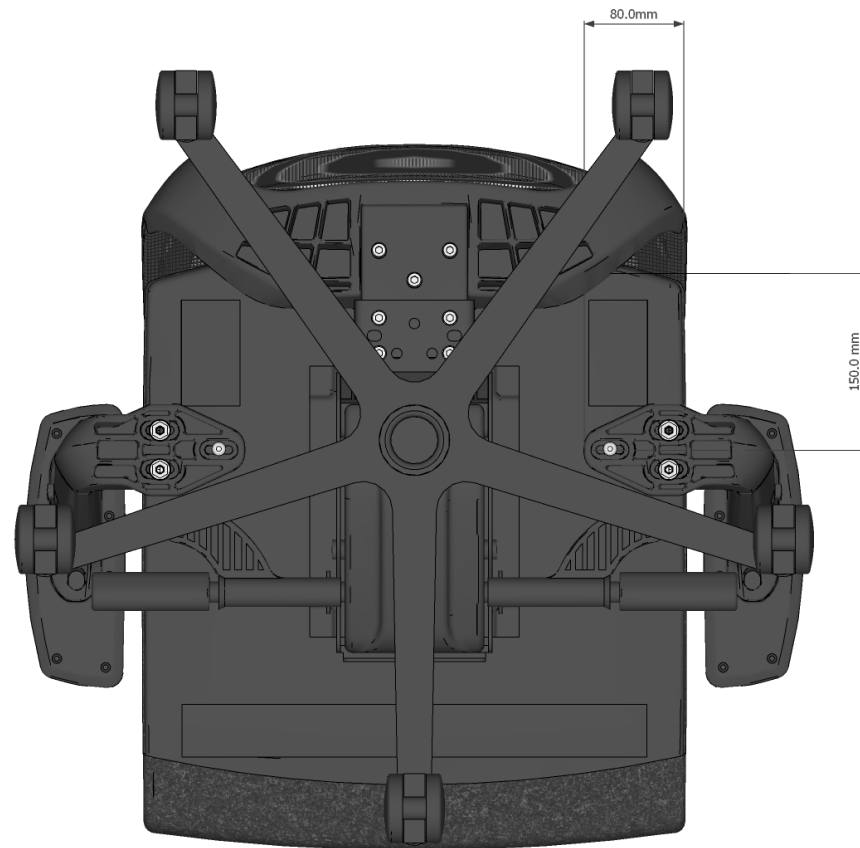


Motion Sync Chair Armrest

Assembly Instructions

Motion Sync Chair Armrest

Components List



STEP 1: Measure 150mm from the back of the seat and 80mm from the edge of the seat to find the first hole.

STEP 2: Using your finger, use pressure to locate the insert nut under the fabric. Using a knife, make a small incision over the hole to allow the bolt to go through.

Note: Making this small incision will NOT void your warranty..

Motion Sync Chair Armrest

Assembly Instructions



STEP 3: Locate the other two holes and make the same small incisions in the same manner as the first hole.

STEP 4: Tighten bolts until the arm is firmly attached.

STEP 5: Repeat steps 1-4 for the opposite arm.



Sydney 02 8188 2732
Melbourne 03 9111 0315
Brisbane 07 3733 1923
Adelaide 08 7111 0810
Perth 08 9468 2707

info@olgoffice.com

myolg.online | olgoffice.com | officedesigner.net | motionoffice.com