



AGILE

Desking System

CONTENTS



4

AGILE FIXED HEIGHT



6

AGILE 2 COLUMN WINDER



12

AGILE 3 COLUMN ELECTRIC



14

AGILE 3 COLUMN ELECTRIC



8

AGILE 2 COLUMN ELECTRIC



10

AGILE 2 COLUMN ELECTRIC



16

AGILE CABLE MANAGEMENT



Studio50
Screens are
Australian
Made.





Agile Fixed Height



Agile Fixed Desk with Luna seating and Axis Bookcase, Agile Double Sided Desk (2 Column Electric One Side, Winder Other Side), Otto, Caddy with Toppa, E-Panel Clamp-on Screens, Motion Sync seating, Axis Mobile.



Agile 2 Column Winder



Agile 2 Column Winder Double-Sided and Single-Sided Desks, Dual Monitor Arms, Urban Mesh Seating and featuring MotionOffice Otto, Grandstand, Cape and Loop.



Agile 2 Column Electric



Agile 2 Column Electric Single-Sided-Desks with covered Cable Trays, Studio50 Screens, Axis Mobile and Urban Mesh seating.



Agile 2 Column Electric



Agile 2 Column Electric Double-Sided-Desk with covered Cable Trays, Dual Monitor Arms, E-Panel Clamp-on Screens, Axis Mobile and Motion Sync seating.



Agile 3 Column Electric



Agile 3 Column Electric Single-Sided-Desks with Urban Mesh seating.



Agile 3 Column Electric



Agile 3 Column Electric Double-Sided-Desk with Ducted Studio50 Screens, Dual Monitor Arms, Axis Caddy with Toppa Pad, Motion Sync seating and Tambour with Planter Box.



Agile Cable Management

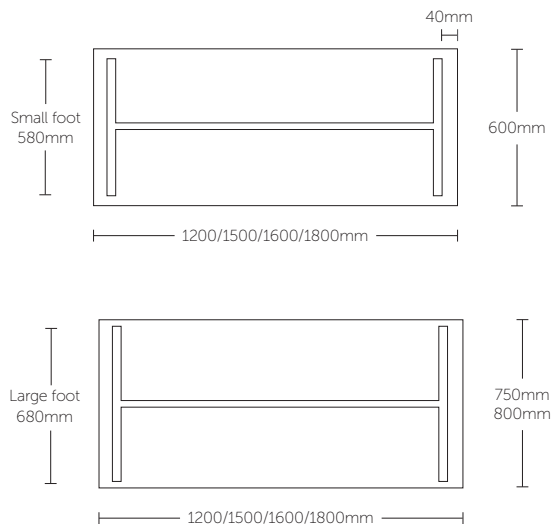


Agile 3 Column Electric Single-Sided and Double-Sided Desks with Cable Trays and Cable Cobra.

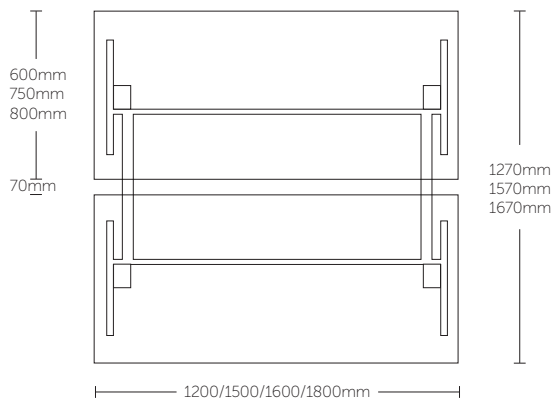
AGILE System

Size Guide

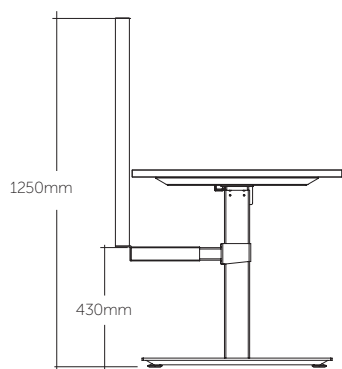
Single-Sided Desks



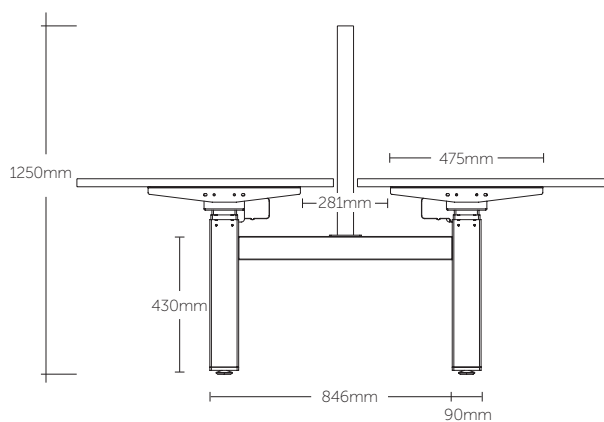
Double-Sided Desks



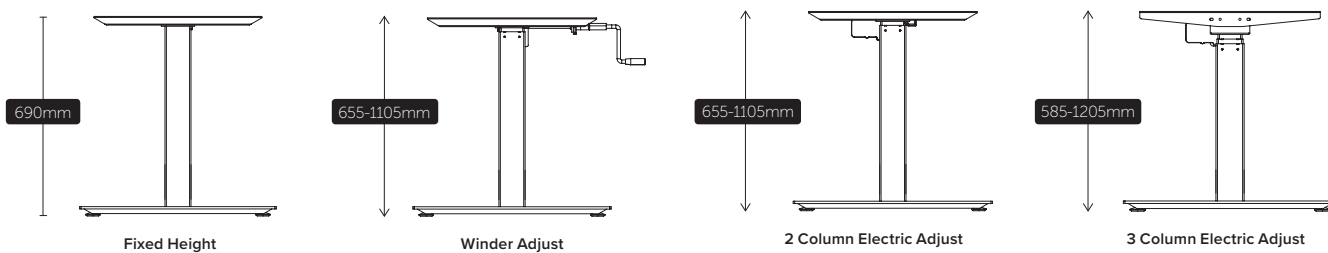
Single-Sided Desks with Screens



Double-Sided Desks with Screens



Agile Height Ranges



AGILE System

Product Guide

Frames:

- 90mm x 60mm legs
- Flat foot design - Single desk
- H frame design - Double sided desk
- Available in: Fixed, Winder, 2 column or 3 column Electric
- Electric & Winder Desk weight rating: 100kg
- Electric workstation weight rating: 150kg
- Fixed Height weight rating: 120kg
- Electric 3C Speed: 35mm/s & 2C Speed: 22mm/s
- Electric 3C Workstation Speed: 30mm/s
- Winder Speed: 5mm/turn
- Powdercoat finish

Powdercoat finishes available in:

White Gloss

Black Gloss

Work Surfaces:

- 25mm E1 grade substrate
- Melamine finish
- Matching 2mm ABS edge
- Scallop cut-out in rear centre 614w x 52d (only available in some sizes)

Melamine finishes available in:

Studio White

Studio Screens:

- Breathe or Splice fabric
- Pinnable core
- 50mm thickness
- Powdercoat frame finish

Breathe fabric available in:

Navy

Steel Blue

Royal Blue

Sky Blue

Baby Blue

Fern Green

Lime Green

Plum

Ruby Red

Tomato Red

Bright Orange

Burnt Orange

Black

Slate Grey

Alloy Grey

Camel

Powdercoat finishes available in:

White

Black

Splice fabric available in:

Black

Charcoal

Grey

Blue

Yellow

Green

Orange

Red

Power/Data:

- Screen ducting cable management including power/data cutouts
- **EXCLUDES:** soft wire & fittings

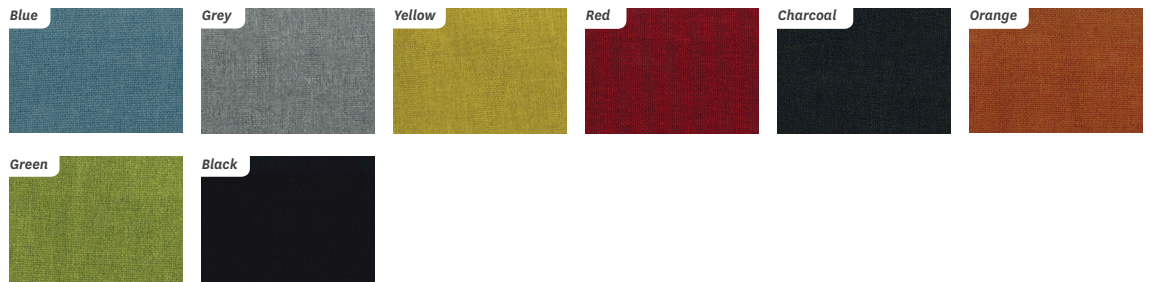


Seating & Screen Fabric Options

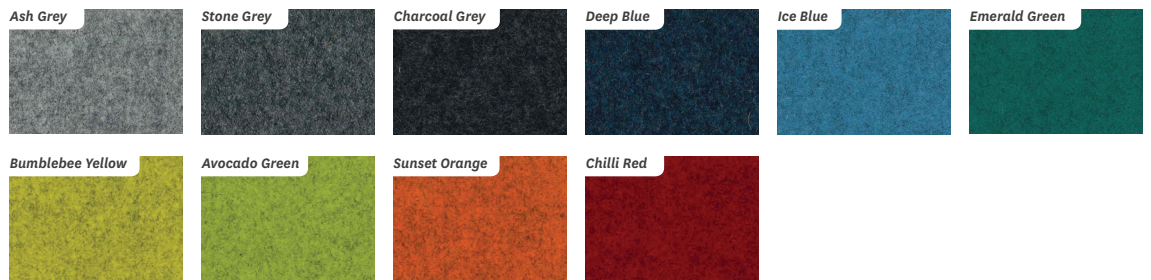
Breathe



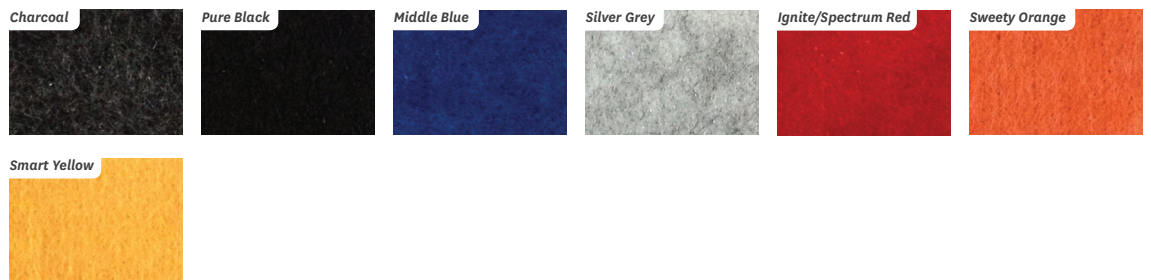
Splice



Motion Felt



E-Panel



Office Seating Solutions



Balance Project
Black Fabric
Breathe Cover



Balance Executive
Black/White PU
Breathe Cover



Balance Task
Black Fabric



Balance Visitor
Black Fabric



Balance Cantilever
Black Fabric



Mode Highback
Black or White PU



Mode Midback
Black or White PU



Mode Guest
Black or White PU



Mode Cantilever
Black or White PU



Metro Highback
Black or White PU



Metro Midback
Black or White PU



Metro Guest
Black or White PU



Metro Cantilever
Black or White PU



Urban Mesh
Breathe Black
Motion Felt Cover



Motion Sync
Breathe Black
Motion Felt Cover



Optic
Black Fabric



Scroll
Black Mesh



Scroll
Grey Mesh



Adapta
Black Fabric



Ozone
Black Fabric



Game Chair
4 Leg



Game Chair
Sled Base



Game Barstool



Luna Chair
Castor Base



Luna Chair
Oak Base



Luna Barstool
Oak Base



Metropol 1
Black PU



Metropol 2
Black PU



Jazz 1
Black Fabric



Jazz 2
Black Fabric



Free
Motion Felt



Otto
Motion Felt



Cookie
Breathe Fabric

Office Desking Solutions

Agile Desking



Axis Desking



Anvil Desking



Aero Desking



Modulus Desking

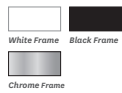


Screens



Office Tables & Storage Solutions

Team Tables



3 Leg



4 Leg
Small

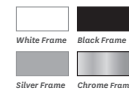


4 Leg
Large



6 Leg

Uni Flip Tables



Uni Flip

Modulus Tables



Flip
White frame available



5 Star



4 Star



4 Post



Fixed Leg



Collar Leg
Single Span - Single Post



Collar Leg
Double Span - Twin Post

Axis Tables



Coffee Table



Meeting Table
Small



Meeting Table
Large



Bar Leaner
Single Span



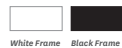
Bar Leaner
Double Span

Anvil Bar Leaner



Bar Leaner

Trestle Tables



Bar Leaner
Single Span

Personal Storage



Axis Shelf
Desk Mounted



Mobile
Locking



Caddy
Locking



Toppa Pad
Breathe Upholstery



Towers
Locking



Filing
Locking

Shared Storage



Bookcase



Cupboards
Locking



Credenza
Locking



Lockers
Locking



Tambour
Locking



Planter Box

Receptions



Axis



Axis with Pop Top

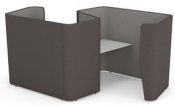


Anvil

Activity Based Solutions

motionoffice®

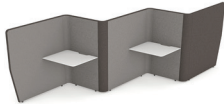
Individual



Shell
1 & 2 Person



Zip
1, 2, 3, 4, 5 & 6 Person



Wave
2, 4 & 6 Person



Wedge
Fits Shell & Zip



Link
Freestanding



Link
Wall Mounted

Collaborative



Team



Meeting



Ring



Disc
Shown with Infill



Arc



Arc Low
3, 4 & 5



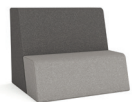
Arc Mid
3, 4 & 5



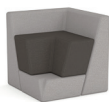
Arc High
3, 4 & 5



Arc Worksurface
Applies to 1100mm high only



Grandstand
2 Tier & 3 Tier (Straight & 90°)



Expo

Activity Based Solutions

motionoffice®

Flexible



Wing
1 & 2 Person



Fin
1 & 2 Person



Cape
1 & 2 Person



Canopy



Loop
Straight, Curved 60°



Loop with Backrest
Straight, Curved - 60° Outer / 60° Inner / 90° Outer



Otto



Coffee Table
Straight, Curved



Tablet Table



Round Table
730 or 1050mm high

Seating



Luna Chair
Castor Base, Oak Base



Luna Barstool
Oak Base



Motion Sync
Nylon Base, Optional Arms



Free
Alloy Base



PLAN, DESIGN & BUY



Register NOW

officedesigner.net



360°

ENTER OUR VIRTUAL SHOWROOM

myolg.online/vrshowroom



GET THE OLG VIRTUAL SHOWROOM EXPERIENCE
Contact your account manager to discuss further.





OLG

info@olgoffice.com

| | |
|-----------|--------------|
| SYDNEY | 02 8188 2732 |
| MELBOURNE | 03 9111 0315 |
| BRISBANE | 07 3733 1923 |
| ADELAIDE | 08 7111 0810 |
| PERTH | 08 9468 2707 |