



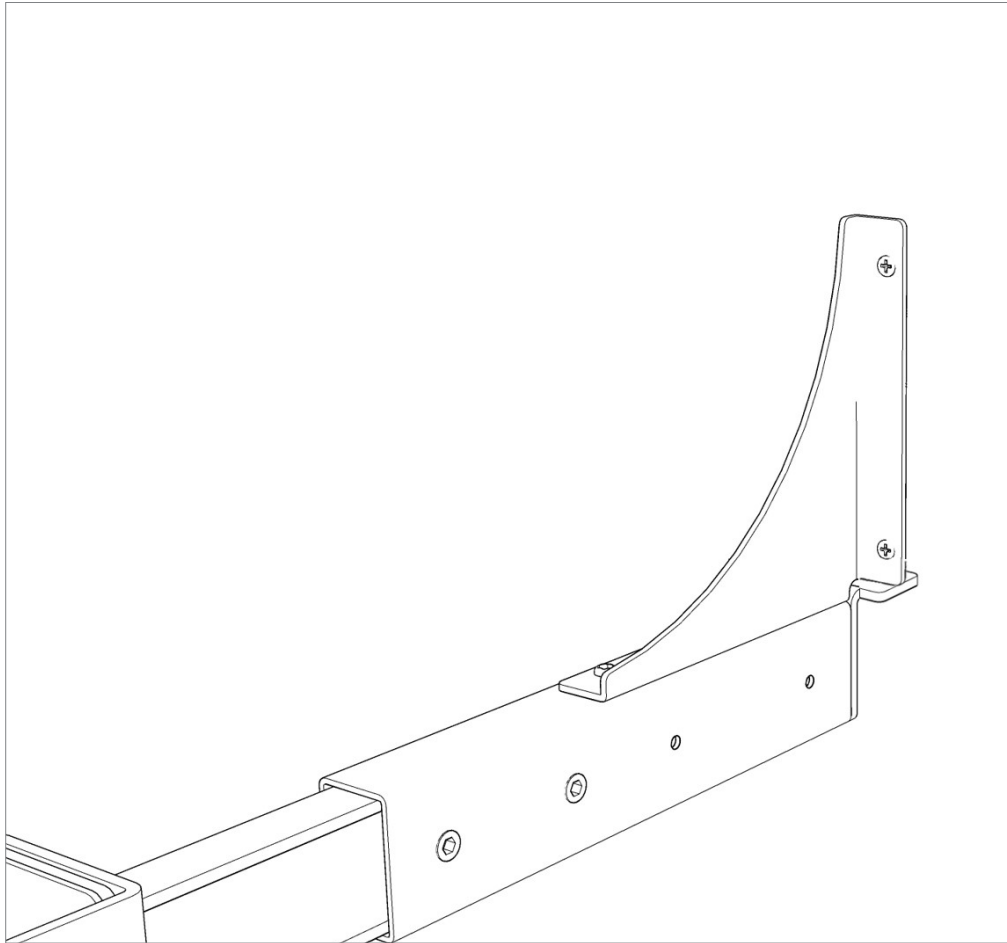
---

## Radius18 on Agile SSD

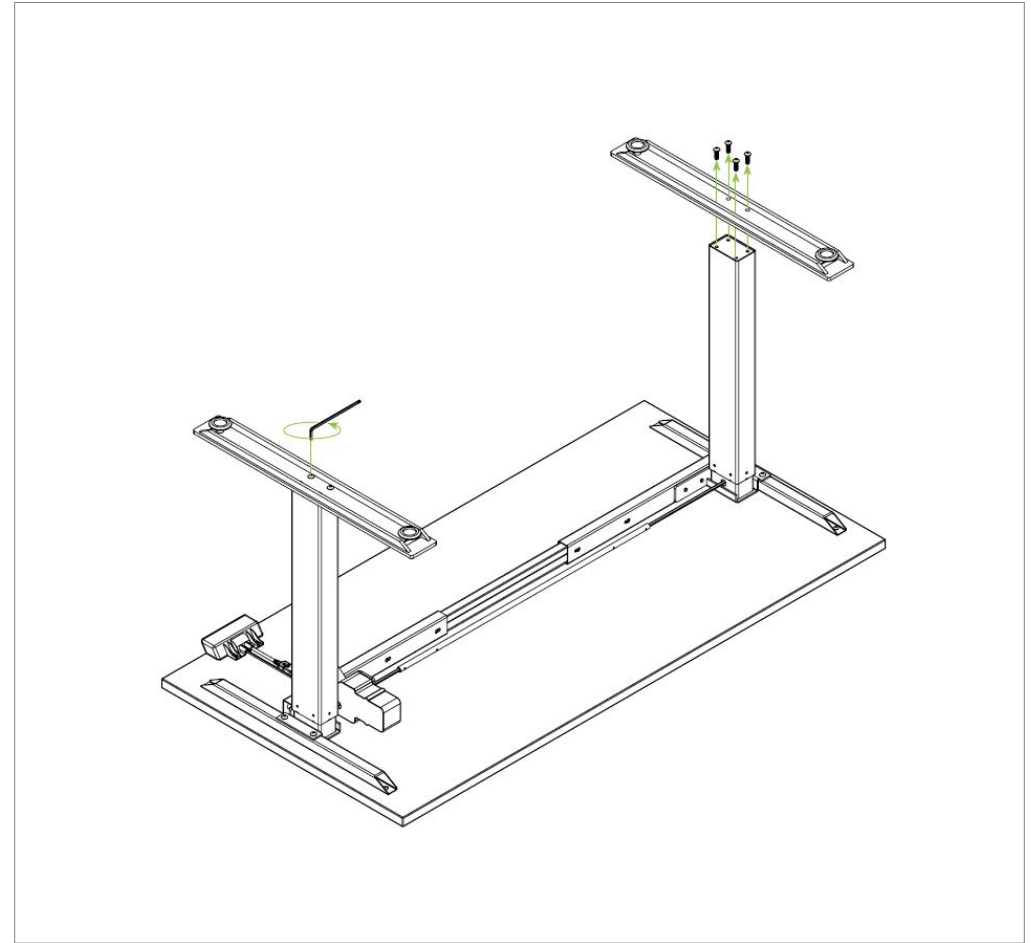
Assembly Instructions

# Radius18 on Agile SSD

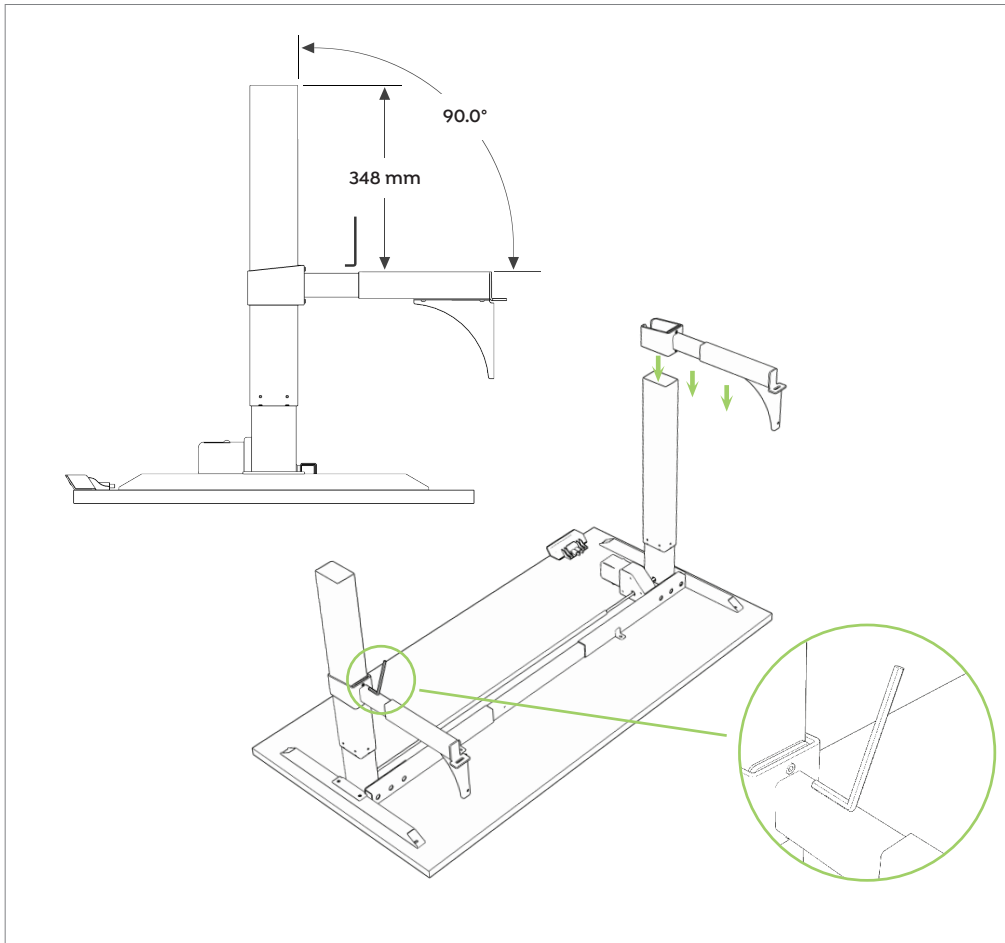
## Assembly Instructions



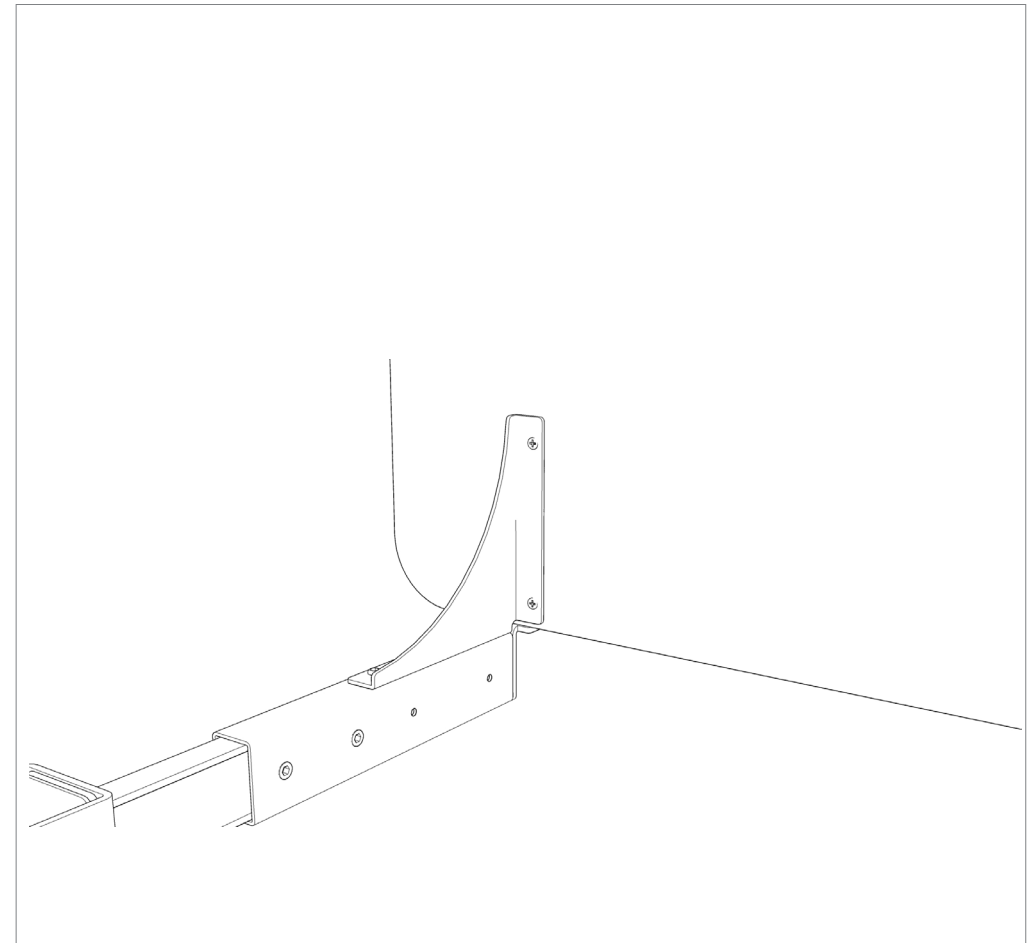
**STEP 1:** Screw 150mm bracket to top of single sided Agile bracket.



**STEP 2:** Turn Agile SSD upside down and remove feet.



**STEP 3:** Slide bracket down leg and tighten bolt at back to keep in place.



**STEP 4:** Position R18 screen on tab of SSD Bracket (as shown) and screw 150mm bracket to screen.



**Sydney** 02 8188 2732  
**Melbourne** 03 9111 0315  
**Brisbane** 07 3733 1923  
**Adelaide** 08 7111 0810  
**Perth** 08 9468 2707

[info@olgoffice.com](mailto:info@olgoffice.com)

[myolg.online](https://myolg.online) | [olgoffice.com](https://olgoffice.com) | [officedesigner.net](https://officedesigner.net) | [motionoffice.com](https://motionoffice.com)