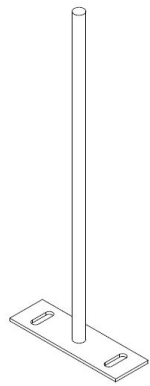


Radius18 on Plantation 1500 x 750mm DSD

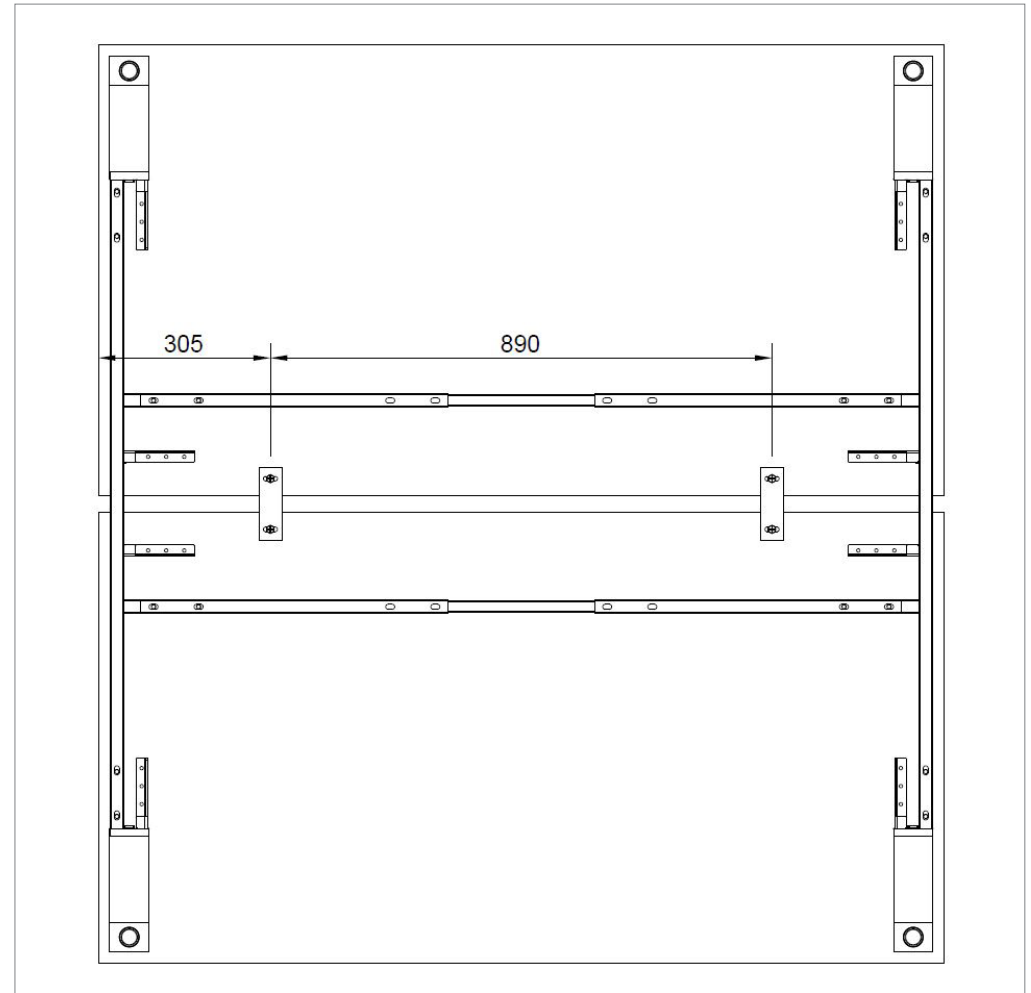
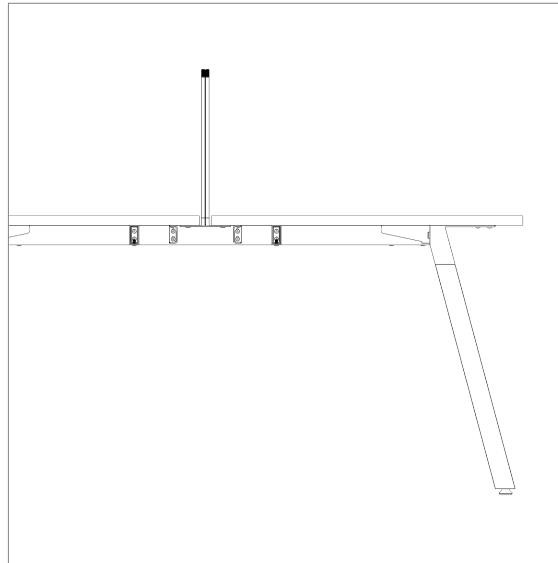
Assembly Instructions

Radius18 on Plantation 1500 x 750mm DSD

Assembly Instructions



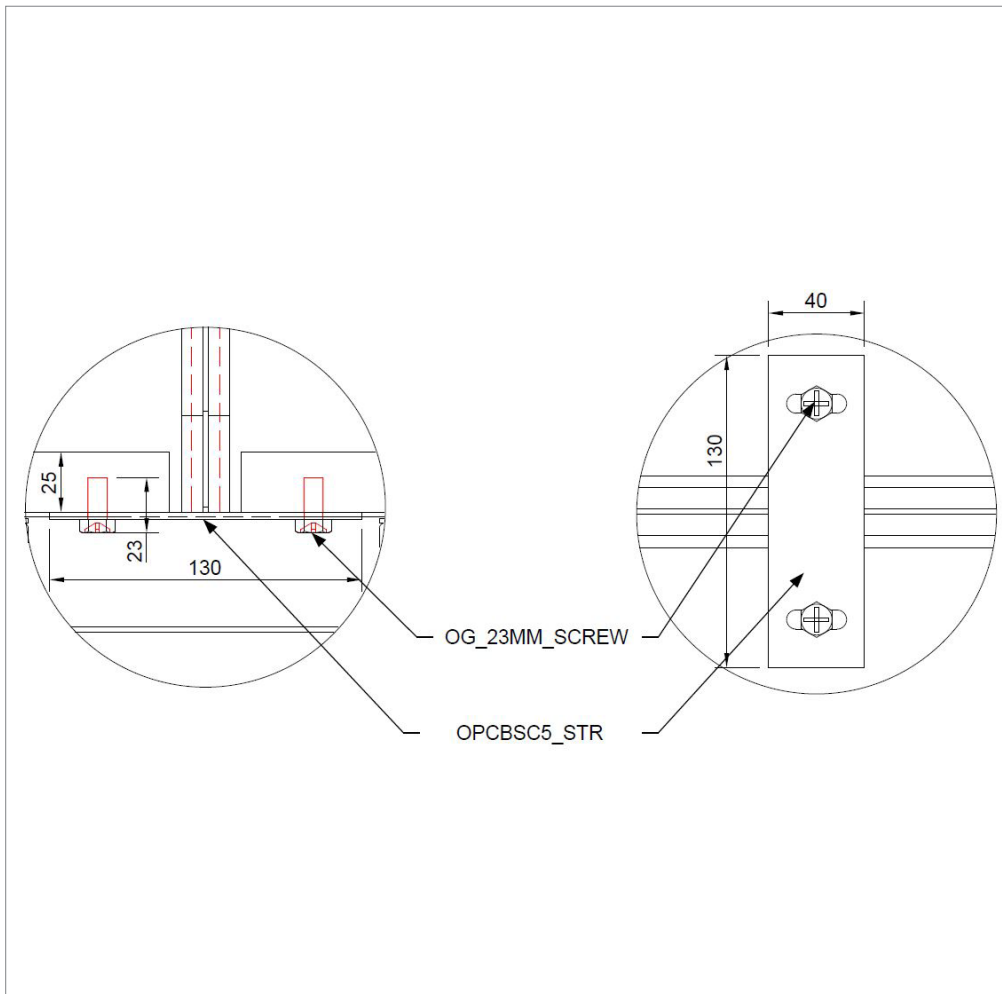
Bracket



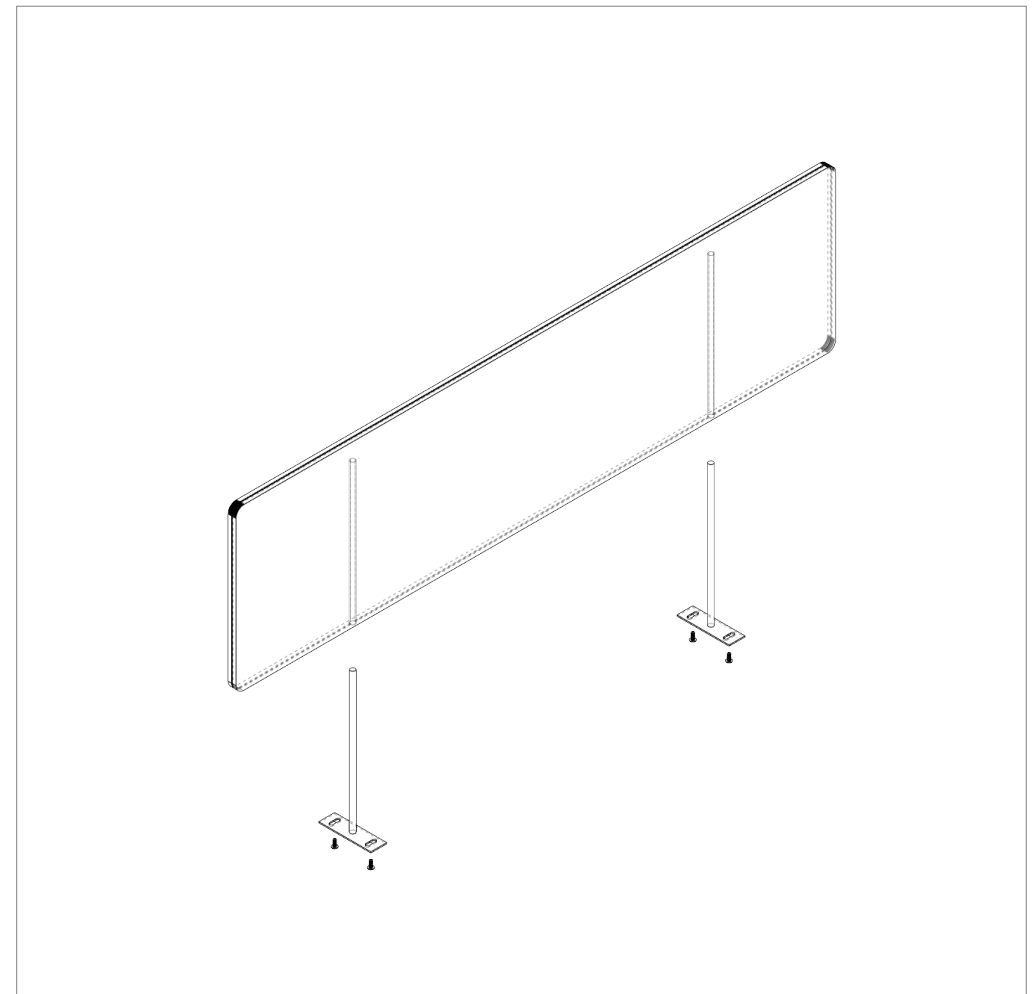
STEP 1: Line up the brackets 305mm in from the edge of the worktop.

Radius18 on Plantation 1500 x 750mm DSD

Assembly Instructions



STEP 2: Using 2 x 23mm screws per bracket, fix to the underside of the worktop.



STEP 3: Slot the screen onto the brackets.



Sydney 02 8188 2732
Melbourne 03 9111 0315
Brisbane 07 3733 1923
Adelaide 08 7111 0810
Perth 08 9468 2707

info@olgoffice.com

myolg.online | olgoffice.com | officedesigner.net | motionoffice.com