

# Team Boardroom Table Twin Span

Installation Guide

---

**TOOLS REQUIRED:** Powered screwdriver.

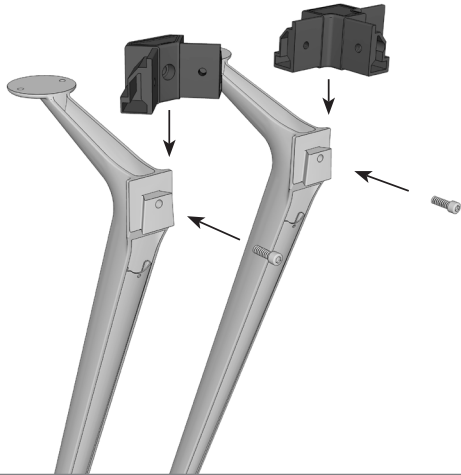


# Team Boardroom Table Twin Span

## INSTALLATION GUIDE

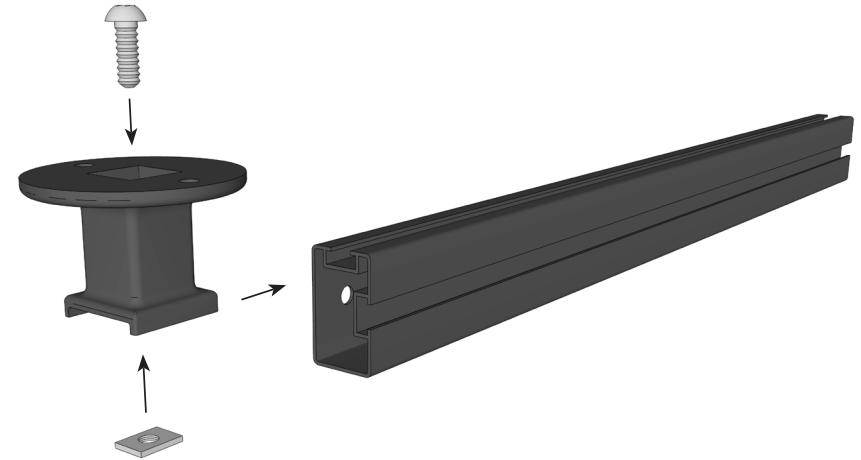


01



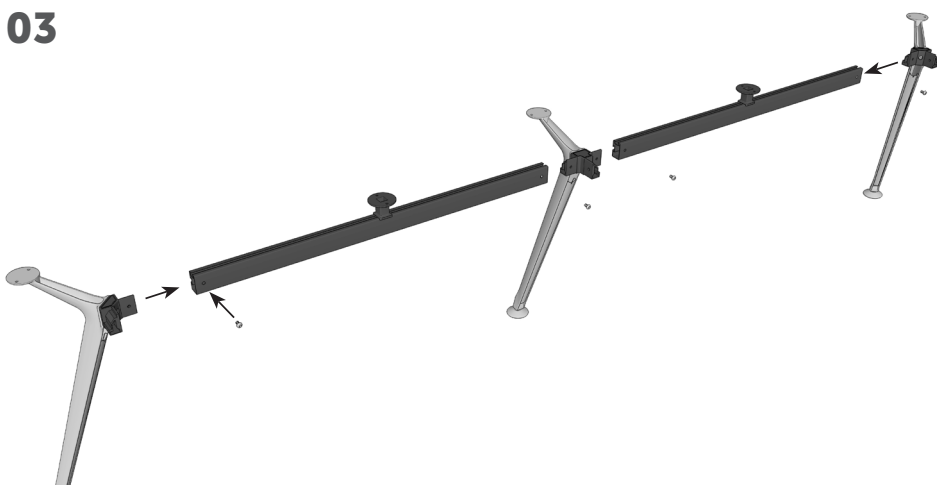
Slide the 2 way and 3 way connectors over each leg, and securely lock into place using M8x20mm cap head bolts.

02



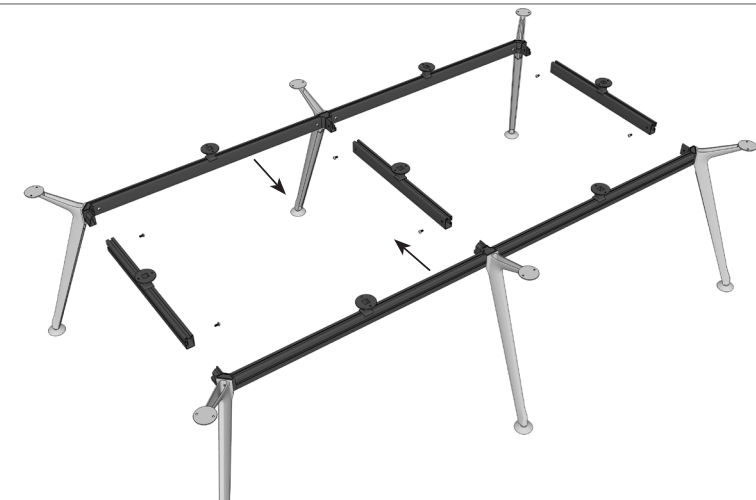
Loosely connect the longer M8x20mm dome head bolt and slot nut through the rail spacer bracket. Slide onto required rails and fully tighten in place. *800mm or longer rails require 1 bracket, 1600mm or longer rails require 2 brackets.*

03



Securely connect legs to rails lengths using the shorter M8x20mm dome head bolts.

04



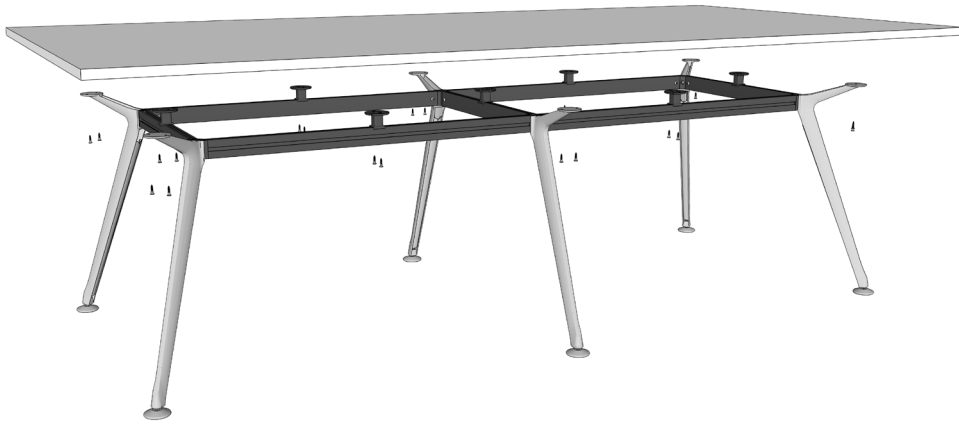
Securely connect legs to rails widths using the shorter M8x20mm dome head bolts.

# Team Boardroom Table Twin Span

## INSTALLATION GUIDE

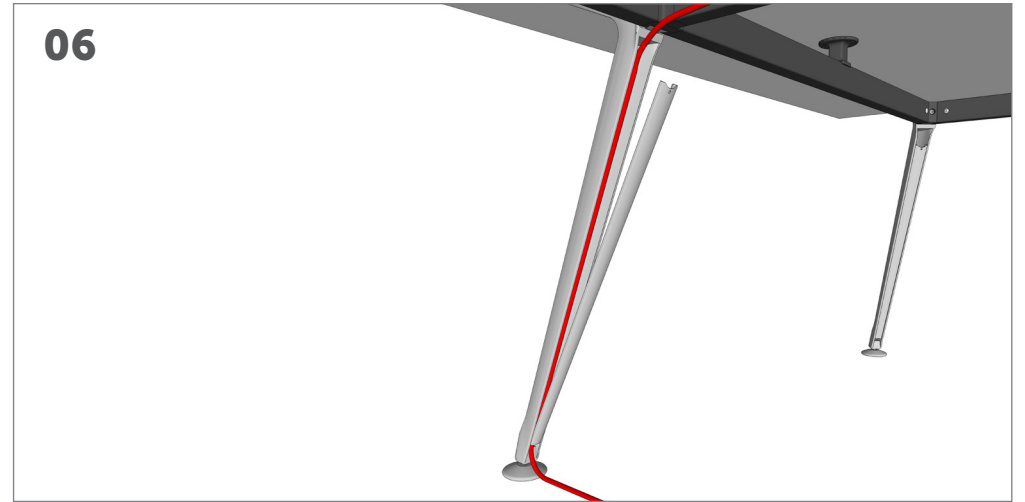


05



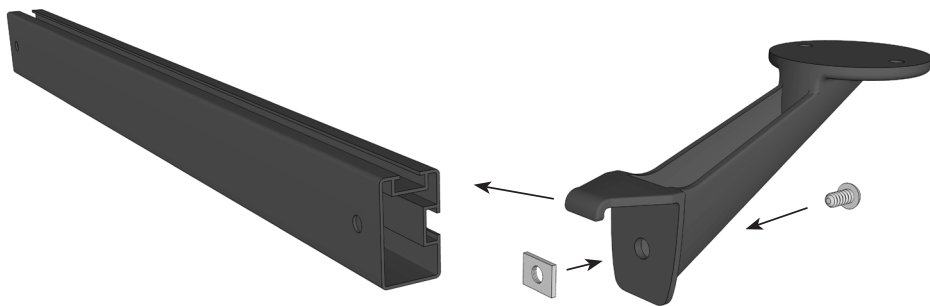
Ensure the work surface is centered over the frame. Pre-drill holes in the work surface. Fully tighten all M5x20mm self tapping screws through each leg and rail spacer bracket into the 25mm work surface.

06



Conceal any power box cables using the magnetic leg cable covers.

**Optional**



Loosely connect the shorter M8x12mm dome head bolt and slot nut through the metal rail spacer bracket. Slide onto required rails and fully tighten in place.

