

Uni Flip Table.

Product **Specifications**



Innovative Thinking • Responsive Support • Open Communication

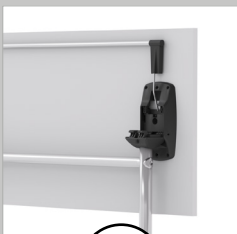
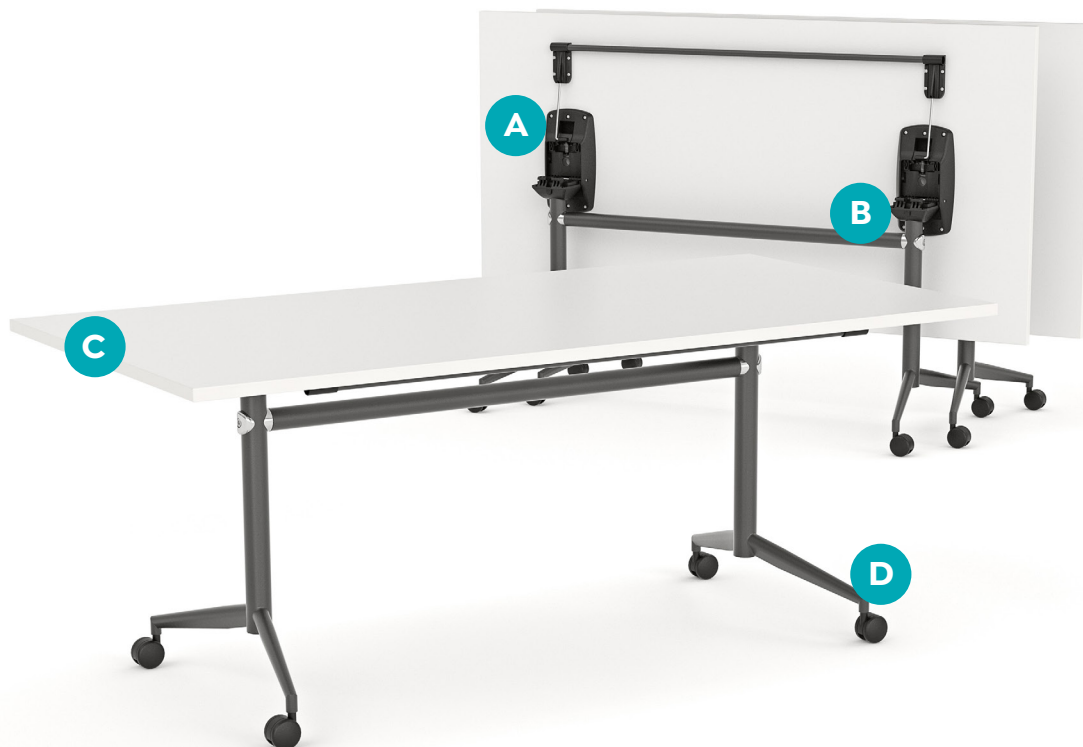
myolg.online

Uni Flip Table.

Designed with ease, function and style in mind, the Uni Flip Table slots in seamlessly into any training room, education areas or high-traffic office spaces. Featuring 70mm swivelling castors, a one-handed flip mechanism and upright safety locks, the Uni Flip can be effortlessly stacked and nested away when not in use.

The Uni Flip table also features strong, one piece welded feet for your educational or conference rooms needs and comes in four quick-ship frame colours and 4 frame sizes. All Uni Flip tables come with 2 FREE pairs of table links to easily connect your tables together.

Key Features



A. Flip Function

Worktop is able to be flipped 90 degrees when not in use.



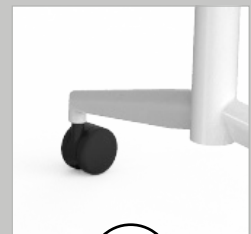
B. Safety Stay Upright Locks

When flipped to 90 degrees, safety locks engage to prevent accidental returns to the horizontal.



C. Free Table Links

Turn a single table into a multi-workstation hub with tabletop joiners.



D. Swivelling Castors

Two lockable black 70mm swivelling castors for easy moving.

Uni Flip Table.

In Detail



Fast Assembly

Comes mostly assembled and can be installed in less than 5 minutes.



Strong & Durable

Strong flip mechanism and one piece welded leg and foot for extra strength and longevity.



Space Saving

Stacking function and swivel castors help for easy transport and storage when not in use.



Warranty

10 year warranty is the best in it's class giving you peace of mind.



E0 Grade Worktop

25mm melamine worktop has one of the highest environmental ratings available in the market.

Worktop

Available in studio white or new oak with matching 2mm PVC edge.

E0 Grade Worktop

Super low emission melamine worktops with matching hardedge to take the knocks.

Flip Mechanism

Strong flip mechanism with safety stay upright locks.

Fast Assembly
Comes with 1 piece welded leg and foot.

Strength

140kg load rating ensure long term durability with frequent use.

10 Year Warranty
Best in it's class.

Easy moving

Two lockable swivelling 70mm heavy duty castors.



* Refer to page 7 for Ratings & Certifications details.

Uni Flip Table.

Colour Options



Uni Flip Table
White Frame with White Worktop
New Oak Worktop also available

Uni Flip Table
Black Frame with New Oak Worktop
White Worktop also available

Uni Flip Table
Silver Frame with White Worktop
New Oak Worktop also available



Uni Flip Table
Chrome Frame/Black Pull Bar with White Worktop
Black/White/Silver frame also available



Uni Flip Table
+ 2 Nesting

Mellamine Worktop Colour Options



New Oak



White

Powdercoated Frame Colour Options



Black



White



Silver

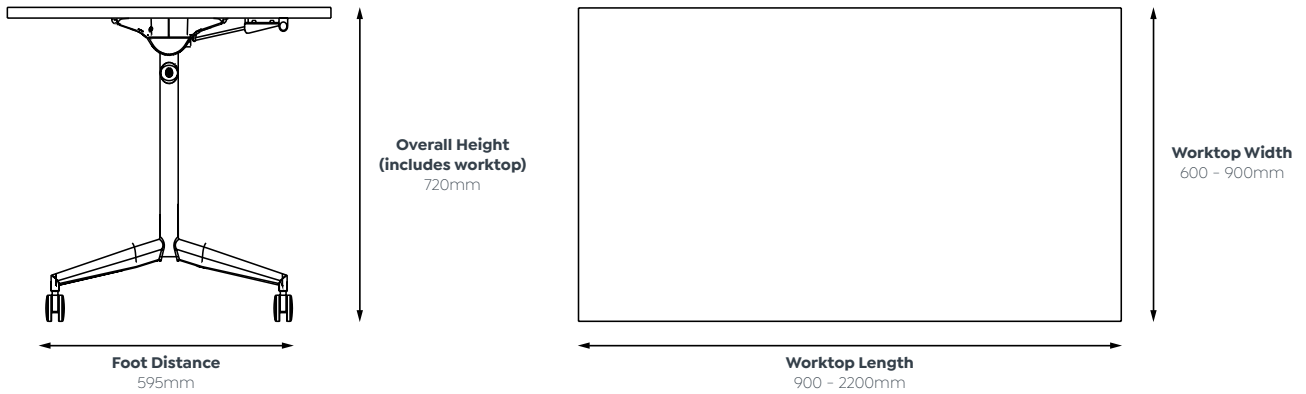


Chrome
(Black Pull Bar)



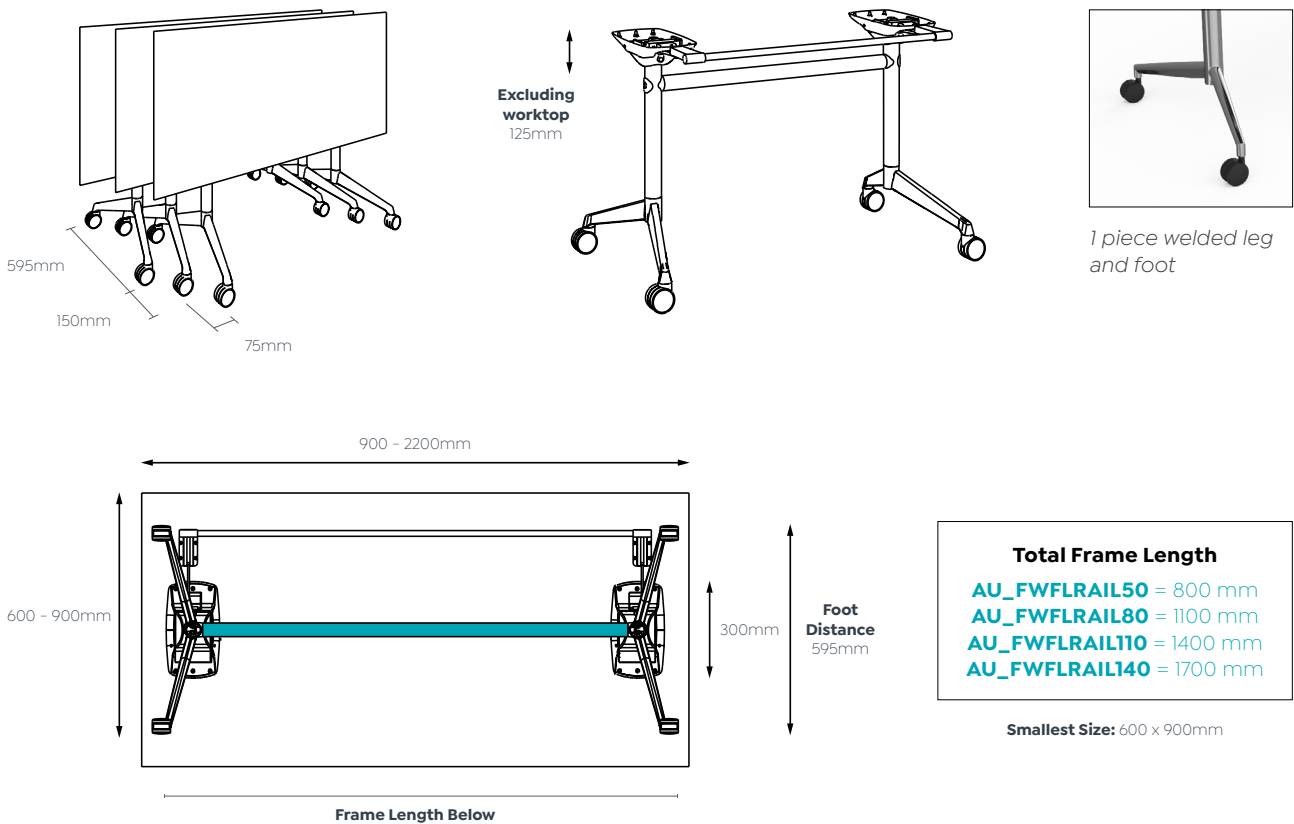
Uni Flip Table.

Flip - Standard Foot



Additional Frame Details

Foot Distance



Uni Flip Table.

Available Sizes

1200 x 600mm	1200 x 750mm	1800 x 900mm
1500 x 600mm	1500 x 750mm	2100 x 900mm
1600 x 600mm	1600 x 750mm	
1800 x 600mm	1800 x 750mm	

White/Black/Silver Powdercoated Legs & Rails



Suits worksurface depth of	To Suit Worktop Length
600 - 900mm	900 - 1300mm
	1200 - 1600mm
	1500 - 1900mm
	11800 - 2200mm

Chrome Powdercoated Legs & Rails (Black Pull Bar)



Suits worksurface depth of	To Suit Worktop Length
600 - 900mm	900 - 1300mm
	1200 - 1600mm
	1500 - 1900mm

OLG's Ratings & Certifications.



10 Year Warranty

OLG Warranty promises the original purchaser that it will repair or replace with comparable product, at its option and free of charge (for material and components), any product, part or component which fails under normal use over the duration of the specified warranty term (taken from the date of purchase). Normal commercial usage is defined as the equivalent of a single shift, 40 hour work-week.



Weight Rating

All seating products have an OLG endorsed 120kg minimum weight rating. All OLG seating products are designed with reference to relevant international standards, including ANSI/BIFMA and AS/NZS. These standards stipulate strength & durability requirements and give the user confidence about the product's longevity. OLG's ISO certified factories use propriety test rigs to issue OLG's own weight ratings for chairs.



ISO 14001

ISO 14001 Certification is the international standard that specifies requirements for an effective Environmental Management System (EMS). It provides a framework that OLG as an organization can follow. At OLG we are using this framework as an approach to continuous improvement across all environmental aspects of our business.



ISO 9001

ISO 9001 Certification is the world's most widely recognized Quality Management System (QMS). At OLG its our guiding principle to meet the expectations and needs of our customers through quality management systems that continually monitor and manage quality across all operations to deliver consistent performance and service.



AS/NZS 4801

AS/NZS 4801 is the benchmark to assess Occupational Health & Safety Management systems for organisations. This standard contains vital information about meeting legal requirements and invaluable guidance on how to establish sustained improvement in health and safety performance in your business.



GECA Certification

GECA (The Good Environmental Choice Australia) Ecolabelling Program, operates a national third-party, independently verified ecolabel, in conformance with Environmental labels and declarations (ISO 14024), that can be applied to a wide range of products and services. This certification gives you an independent, reliable and convenient way to select OLG products and services that are certified by GECA to deliver better environmental outcomes. Anvil and Axis (available to GECA specification by special request). EkoSystem approved as EKO Brand.



AFRDI Certification

AFRDI Certification is a set of standards covering strength, durability, stability and safety (and ergonomics in the case of desks and workstations). This means that OLG are accountable for maintaining the quality of our products, submitting them for regular auditing to ensure they meet the highest standards for commercial use. Applies to: Urban Mesh (Level 6 – Severe Commercial), Modulus Flip Table (Level 3 – Severe Commercial, tested with 1500 x 750 top and Agile+ Single Sided Dual Motor Electric Desk).



BIFMA Certification

BIFMA Certification focuses on safety and performance standards developed by the BIFMA Engineering Committee. The standards provide manufacturers, specifiers, and users with a common basis for evaluating safety, durability, and the structural adequacy of the specified furniture, independent of construction materials. The standards define specific tests, laboratory equipment to be used, the conditions of test, and the minimum acceptance levels to be used in evaluating these products. Applies to: Balance Executive, Balance Task, Optic Chair, Adapta Chair, Game Chair 4 leg, Game Chair 4 leg with seat and back pads, Game Sled, Game Sled with seat and back pads, Agile+, Agile Electric 2-Column single motor, Motion Sync



Australian Trusted Trader

Australian Trusted Trader Certification is a standard that rewards companies showing compliant behaviour, secure supply chain with strong security practices, to enjoy a wide range of trade facilitation benefits. OLG have held this status since 2017.



FSC

FSC is the leading catalyst and defining force for improved forest management and market transformation, shifting the global forest trend toward sustainable use, conservation, restoration, and respect for all. Applies to: Plantation timber legs



GREENGUARD Certification

A GREENGUARD Certification ensures that a product has met some of the world's most rigorous and comprehensive standards for low emissions of volatile organic compounds (VOCs) into indoor air. GREENGUARD Gold Certification offers certification criteria that considers safety factors to account for sensitive individuals (such as children and the elderly), and ensures that a product is acceptable for use in environments such as schools and healthcare facilities.

Uni Flip Table.

Cheat Sheet Quick Guide

Standard Features

Swivelling castors (2x lockable)

Strong flip mechanism has safety stay upright locks

Extra fast assembly time

2 FREE pairs of table links included



Alloy Flip Table Link
MFLINKA

Melamine worktop - 25mm E0 grade substrate finished in studio white or new oak with matching 2mm PVC edge

Frames

Includes posts, rails & pull bars

Black 70mm castors make for easy moving

1 piece welded foot

Arctic white, black, silver powdercoat or chrome finish

Worktop height 720mm

Melamine Worktop Colour Options



New Oak



White

Powdercoated Frame Colour Options



Black



White



Silver



Chrome
(Black Pull Bar)





Uni Flip black frame with Adapta seating.

**WE ARE
ALL A PART
OF THE
SAME THING**

Additional Options.

Storage



Axis Mobile Drawers
Two Box Drawers + One File Drawer - Gang Locking



Axis Mobile Drawers
Four Box Drawers Gang Locking



Axis Caddy Mobile Bookcase
2 x Adjustable Shelves



Axis Caddy Mobile Bookcase
1 x Drawer Insert
Left or Right Handed Configuration



Axis Caddy Mobile
2 x Drawer Insert



Axis Caddy Mobile Bookcase
1 x Tambour Insert
Left or Right Handed Configuration



Axis Caddy Mobile Bookcase
1 x Tambour Insert
1 x Drawer Insert
Left or Right Handed Configuration



Axis Caddy Mobile
2 x Tambour Insert



Agile Steel Caddy L/H
Metal caddy unit with tambour and 3 drawers. Available in 2 Powdercoats



Agile Steel Caddy R/H
Metal caddy unit with tambour and 3 drawers. Available in 2 Powdercoats



Agile Regular Steel Mobile
Metal mobile drawer unit with 2 drawers and 1 file. Available in 2 Powdercoats



Agile Narrow Steel Mobile
Metal mobile drawer unit with 2 drawers and 1 file. Available in 2 Powdercoats



Axis Credenza 1200 Two Levels
2 x 25 mm adjustable shelves



Axis Credenza 1800 Two Levels
1 x 18 mm adjustable shelves
4x hinged locking doors



Axis Bookshelf Three Levels
2 x 25 mm adjustable shelves



Axis Bookshelf Five Levels
3 x 25 mm adjustable shelves
1 x fixed shelf



Axis Cupboard Locking Three Levels
2 x 18mm adjustable shelves



Axis Cupboard Locking Five Levels
3 x 18 mm adjustable shelves
1 x fixed shelf



Axis Tower Bookcase
2 x Adjustable Shelves



Axis Tower Bookcase
1 x Drawer Insert

Accessories



Monitor Arms
Axis / Studio50 Brackets



Cable Management
Above Desk / Below Desk



Modesties
Melamine / Metal



Laptop Riser
Available in Black



Deskmount Shelves
Studio White
243 high x 600 wide x 300 deep



How can we be of help?

02 8188 2732

info@olgoffice.com

myolg.online

olgoffice.com

officedesigner.net

motionoffice.com

officefitoutcalculator.com.au

myolgpricelist.online

acoustiq.com.au

Innovative Thinking • Responsive Support • Open Communication