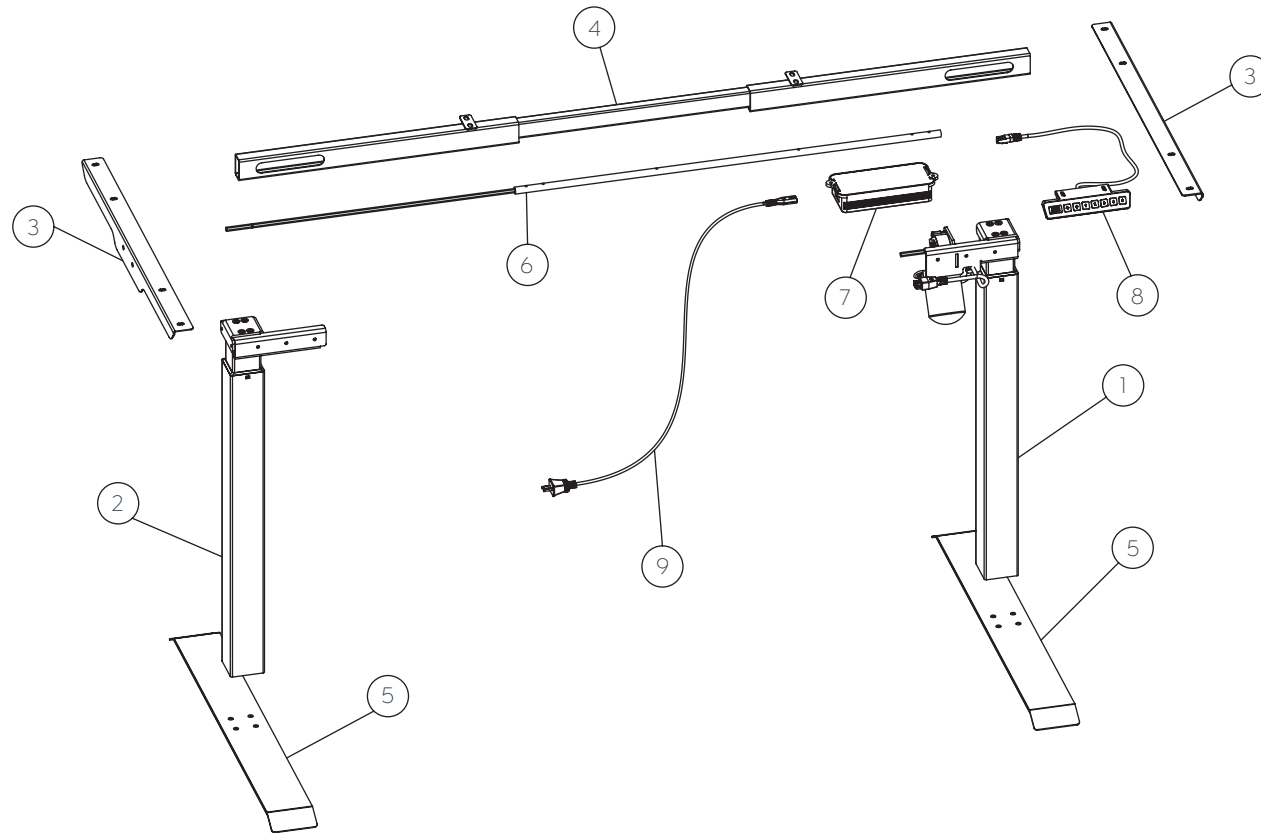


Quickstand Desk

Assembly Instructions

Quickstand Desk

Components List



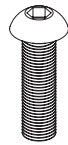
Hardware included:

A (10pcs)



10 x M6 - 12mm

B (8pcs)



8 x M8 - 30mm

C (4pcs)



4 x M4.2 - 16mm

D (10pcs)



10 x Self Tapping - 23mm

Tools Included:



M5

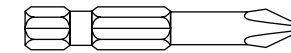
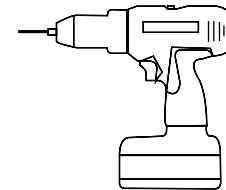


M4



M2.5

Tools Required:



Phillips Screwdriver Bit

Quickstand Desk

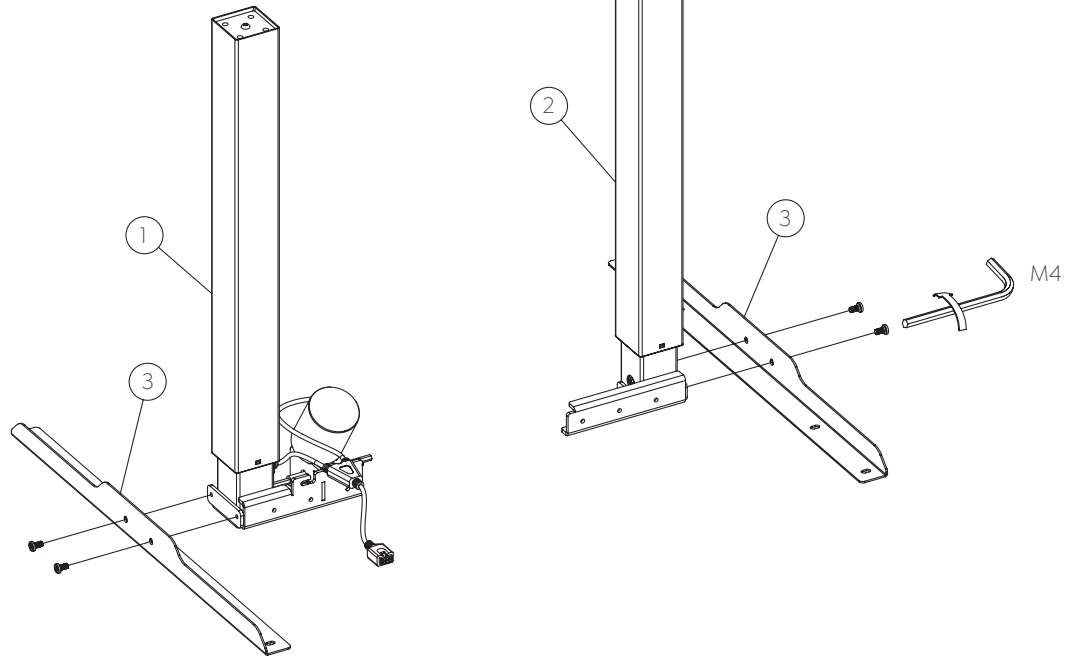
Assembly Instructions

STEP 1:

A (4pcs)



M6 - 12mm

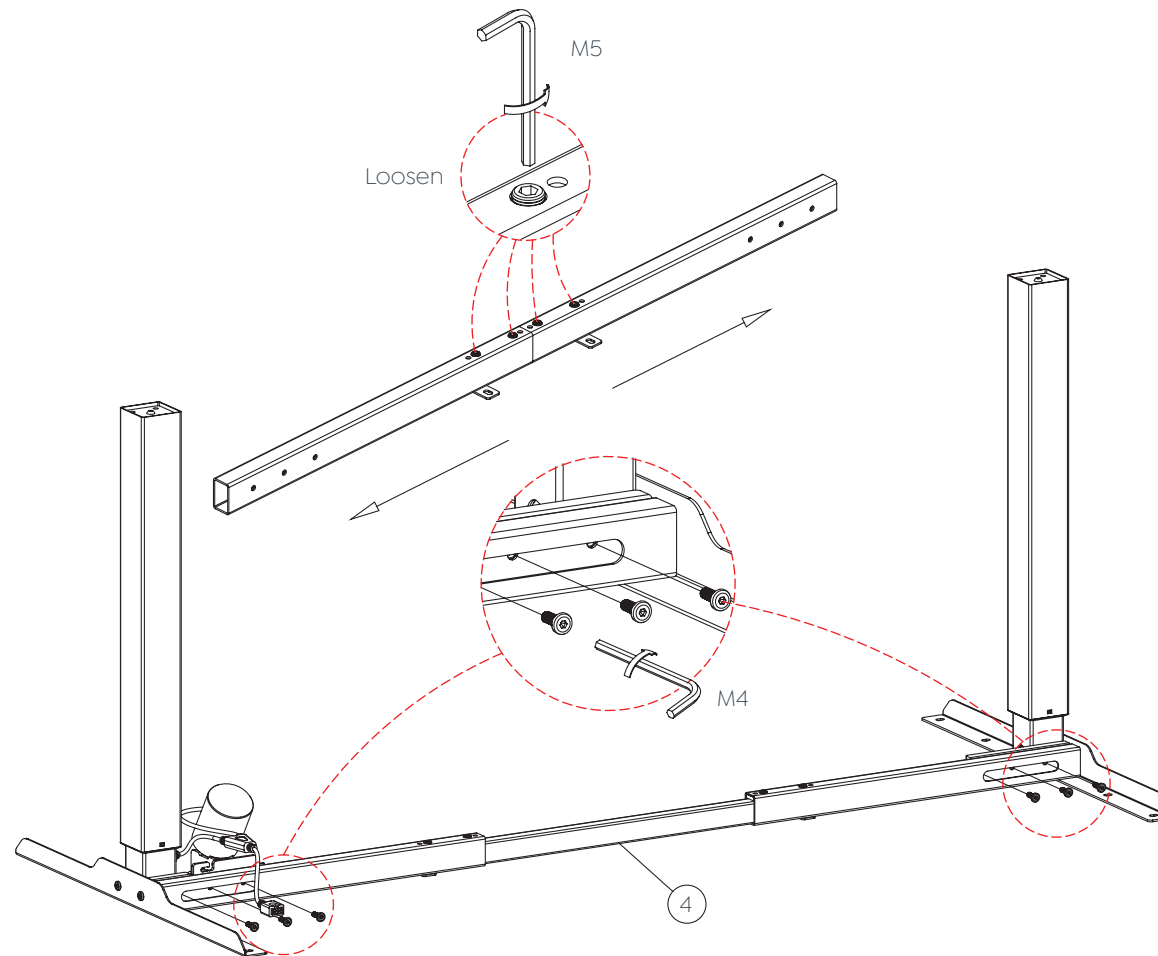


STEP 2:

A (6pcs)



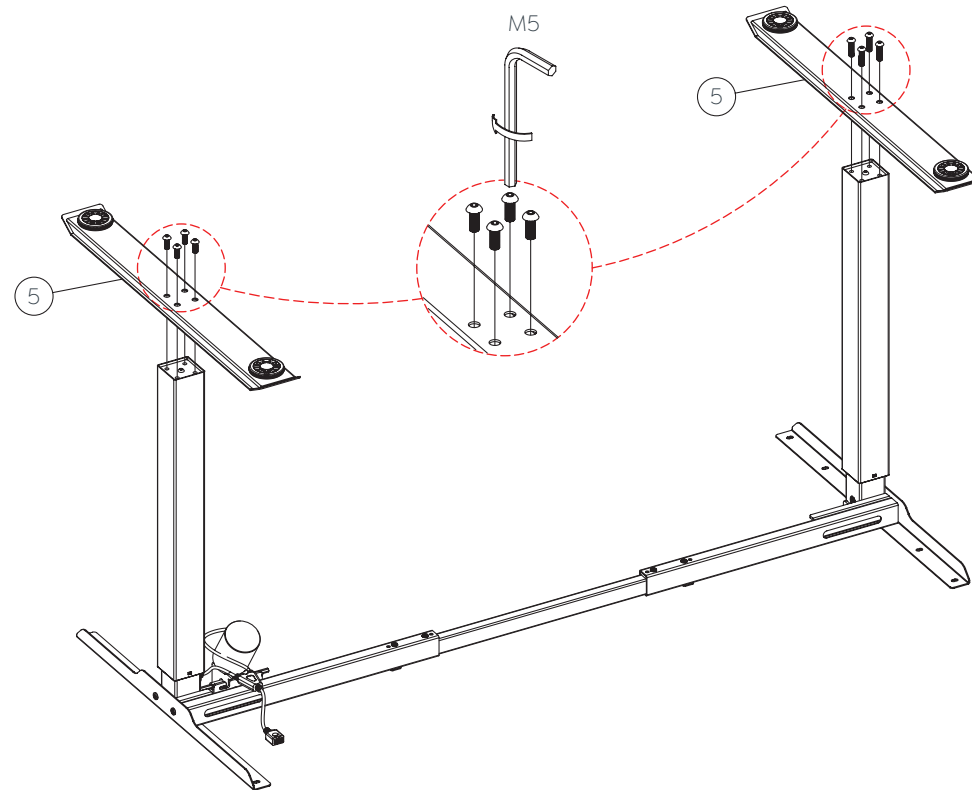
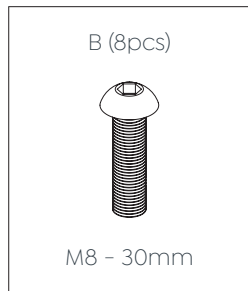
M6 - 12mm



Quickstand Desk

Assembly Instructions

STEP 3:

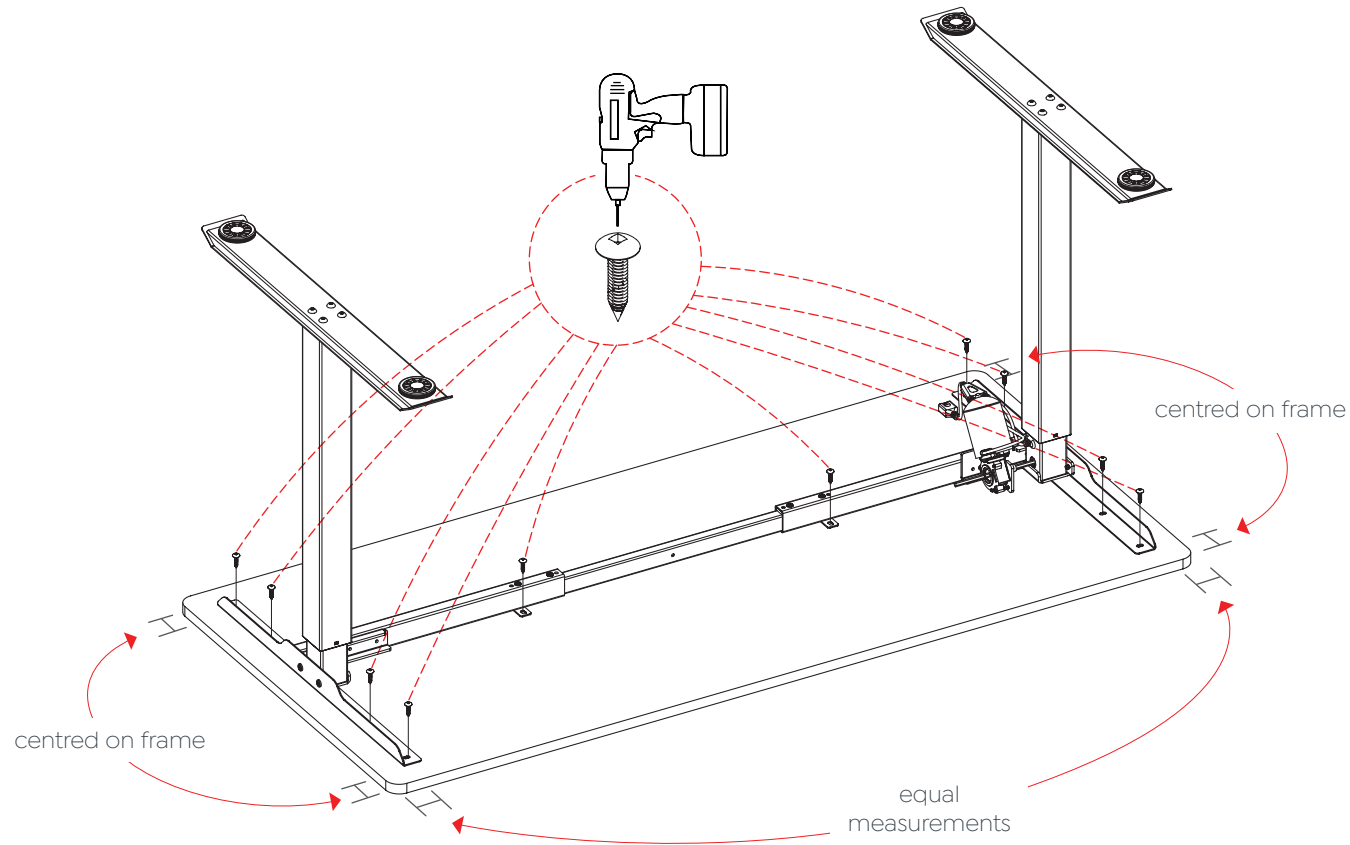


STEP 4:

D (10pcs)



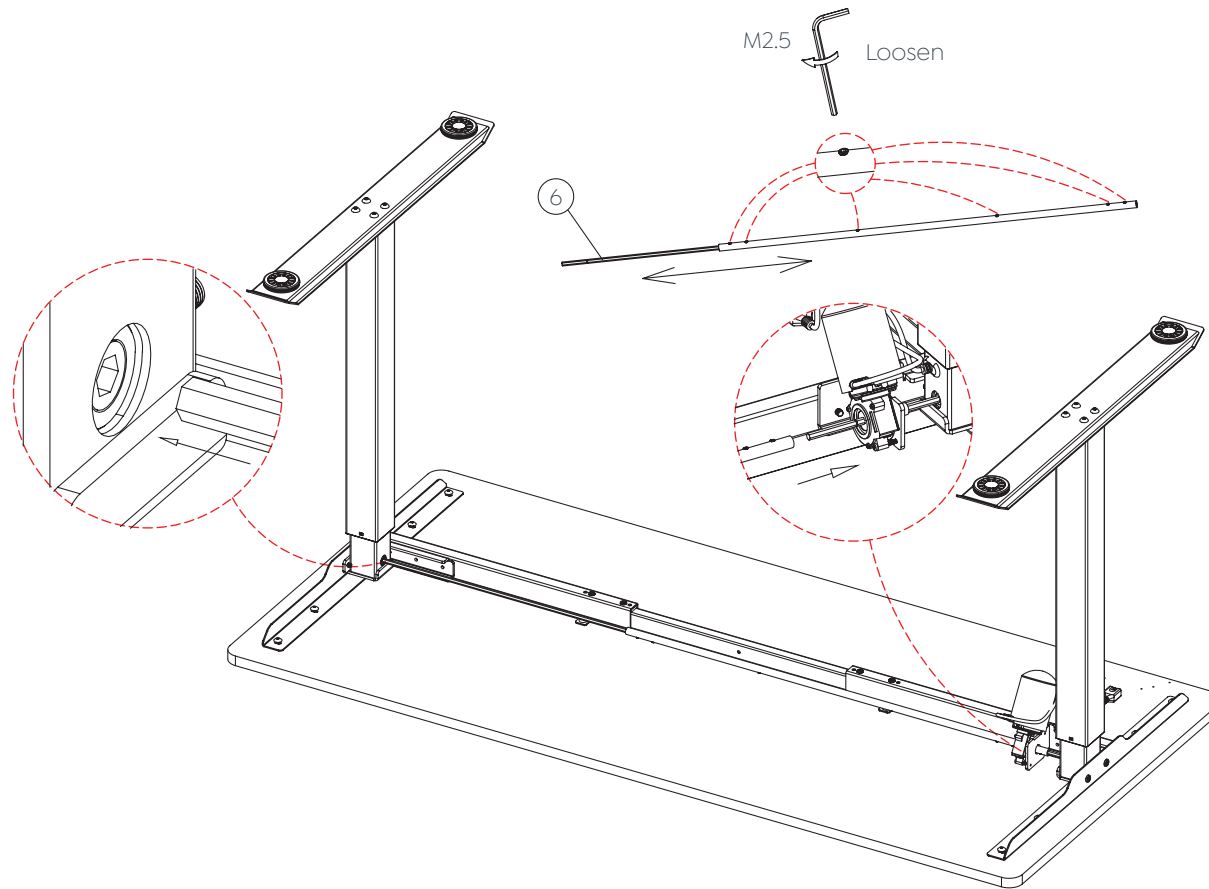
10 x Self Tapping
- 23mm



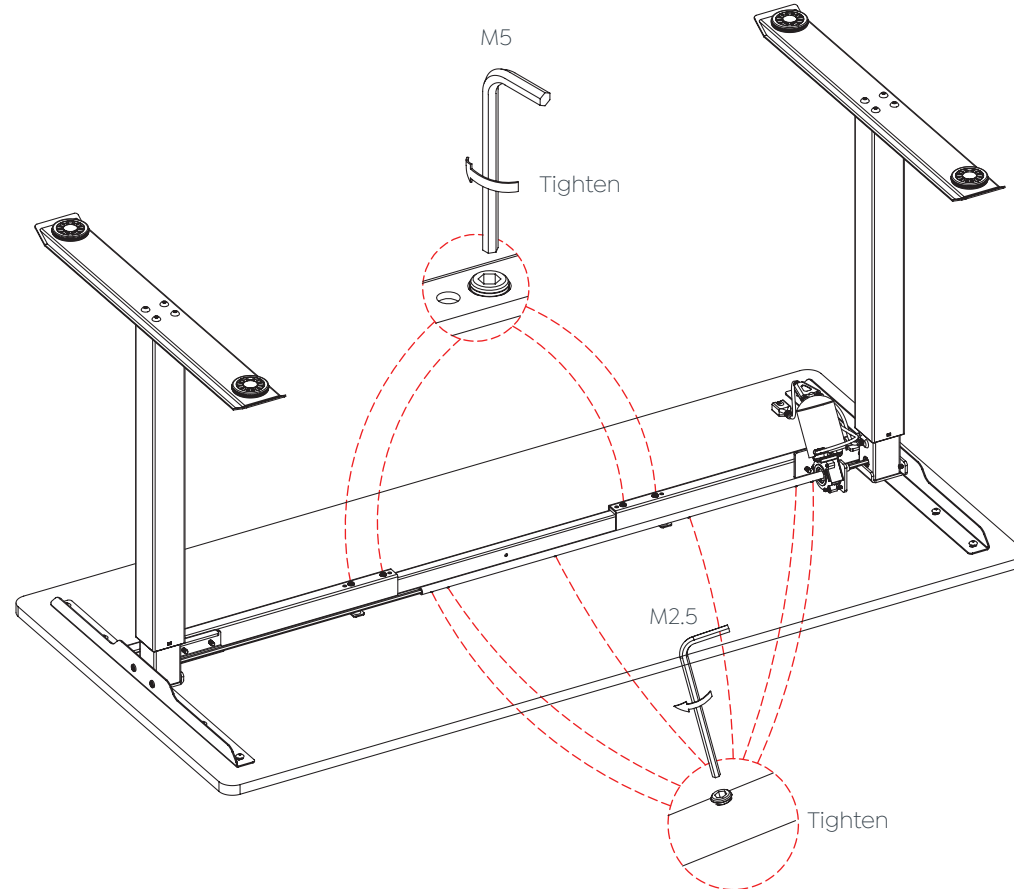
Quickstand Desk

Assembly Instructions

STEP 5:



STEP 6:



Quickstand Desk

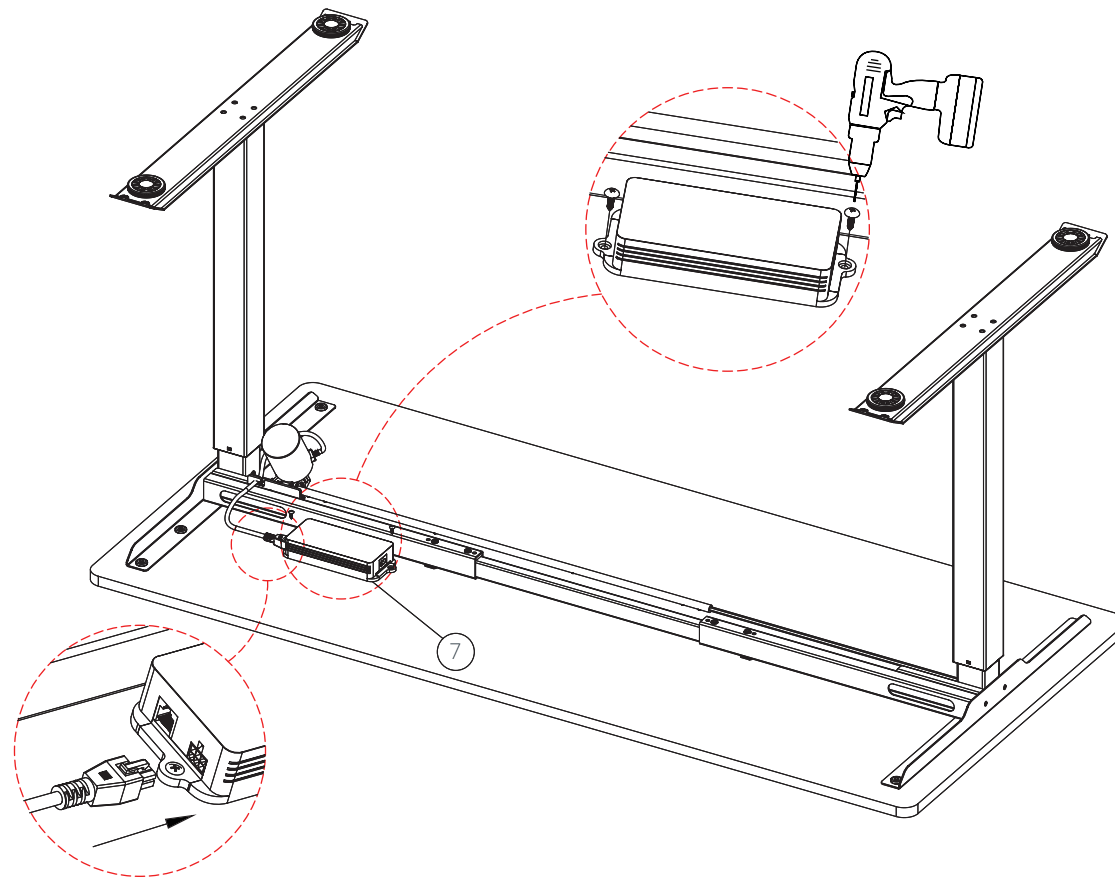
Assembly Instructions

STEP 7:

C (2pcs)



M4.2 - 16mm

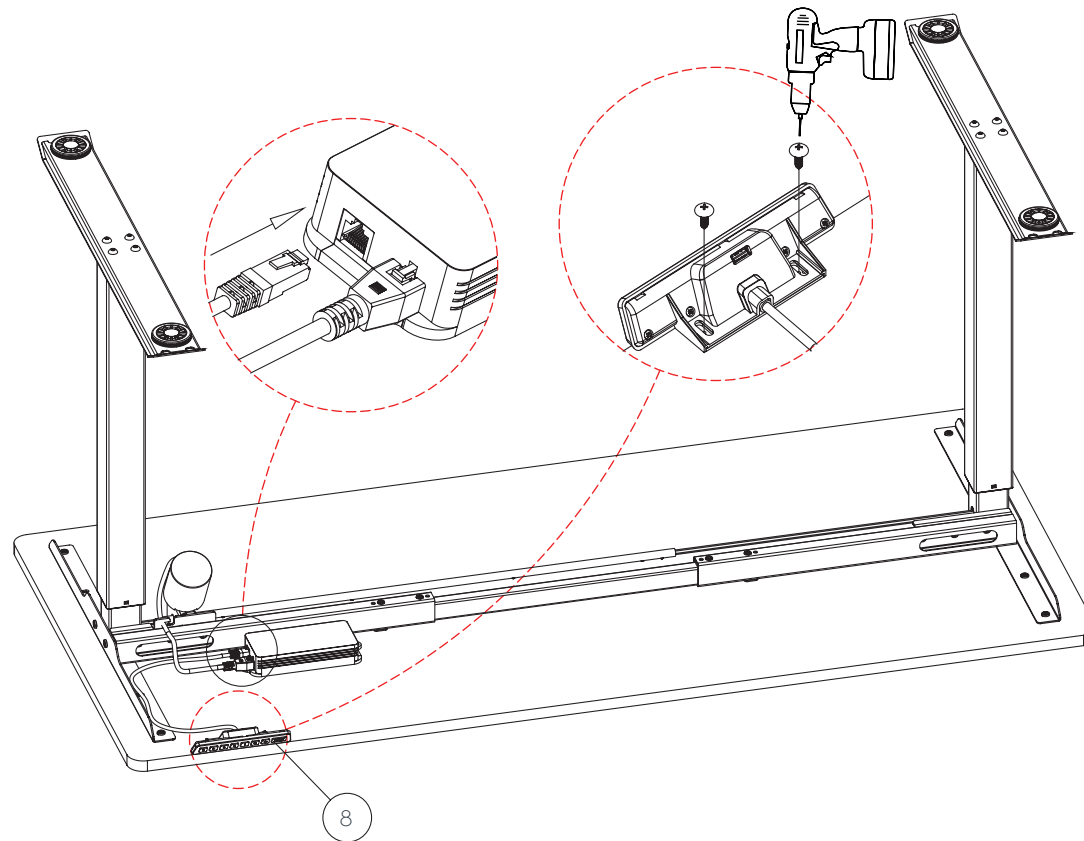


STEP 8:

C (2pcs)



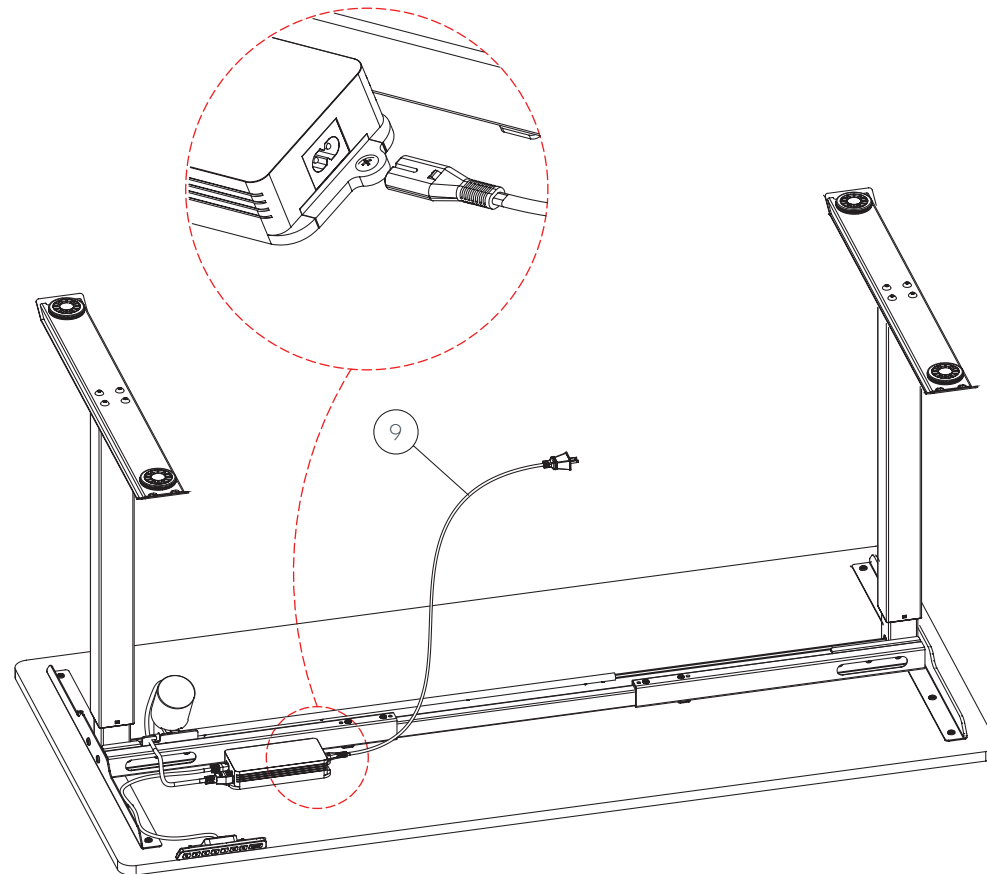
M4.2 - 16mm



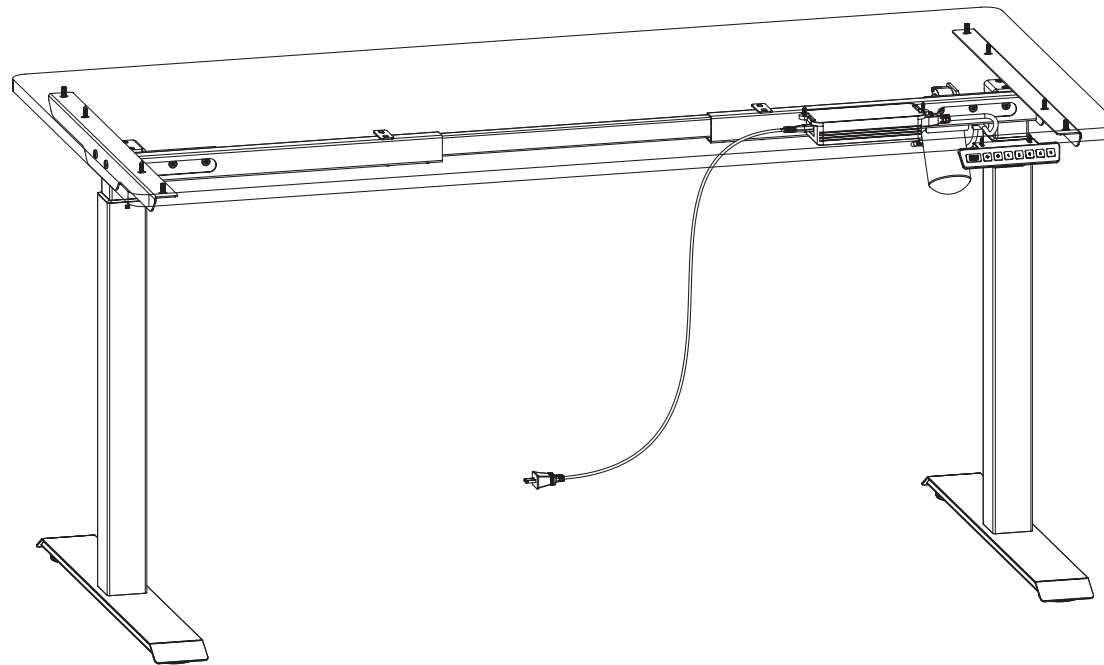
Quickstand Desk

Assembly Instructions

STEP 9:



STEP 10:





Sydney 02 8188 2732
Melbourne 03 9111 0315
Brisbane 07 3733 1923
Adelaide 08 7111 0810
Perth 08 9468 2707

info@olgoffice.com

myolg.online | olgoffice.com | officedesigner.net | motionoffice.com