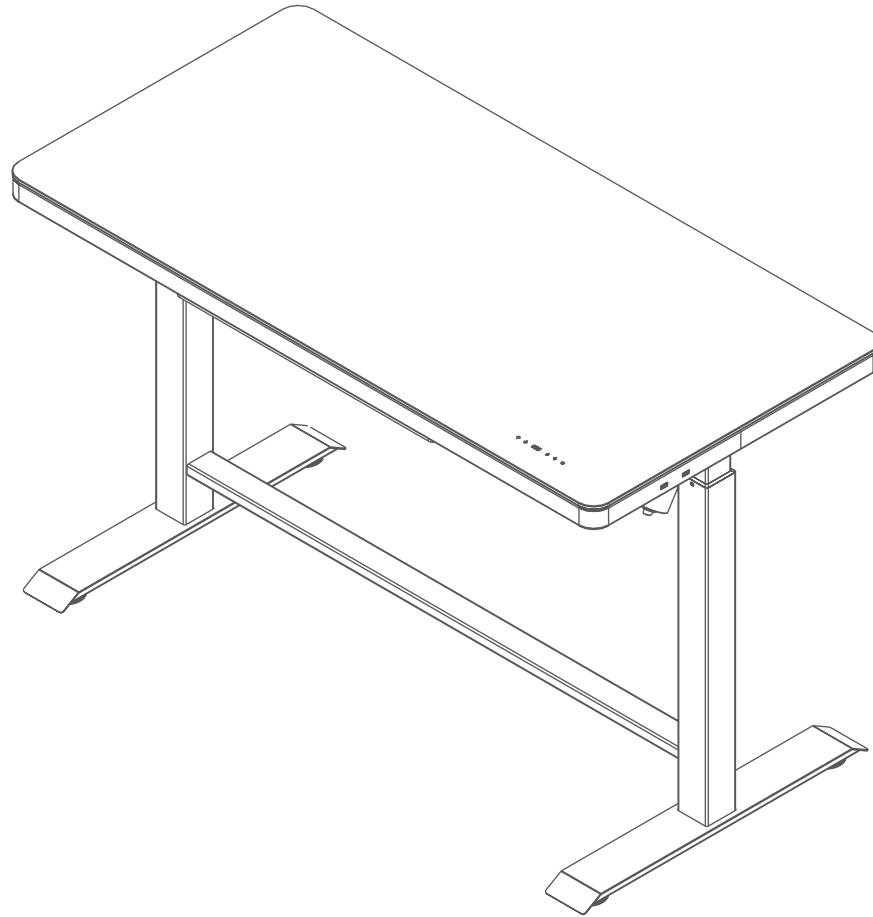


OLG



Luxe Home Desk

Assembly Instructions

Luxe Home Desk

Specifications & Components

Specifications:

Electric control part:

Input Voltage:100-240Vac 50/60Hz
Duty cycle:10%MAX 2min on 18min off

Desk frame part:

Dynamic load:60KG
The maximum static load:80KG

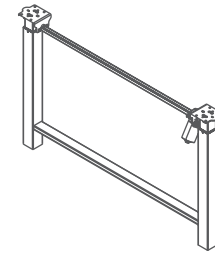
Safety warning

1. Please read this manual carefully before use.
2. The product must be connected to the correct power supply.
3. For any accessories connected to the control box, the plug type and electrical characteristics must conform to its specifications.
4. Indoor use only.
5. If the transformer's external cable is damaged and need to be replaced, new accessory will be provided by the manufacturer or its service agent.
6. This appliance can be used by children aged from 8 years and above and persons with reduced physical, sensory or mental capabilities or lack of experience and knowledge if they have been given supervision or instruction concerning use of the appliance in a safe way and understand the hazards involved.
7. Children shall not play with the appliance.
8. Cleaning and user maintenance shall not be made by children without supervision.

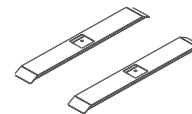
Parts List:



Glass Tempered Table Top



Stainless Steel Table Frame



Foot Plate w/ adjustable foot



8 - M6 x 16



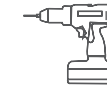
8 - M8 x 16

Tools included:



M5

Tools required:



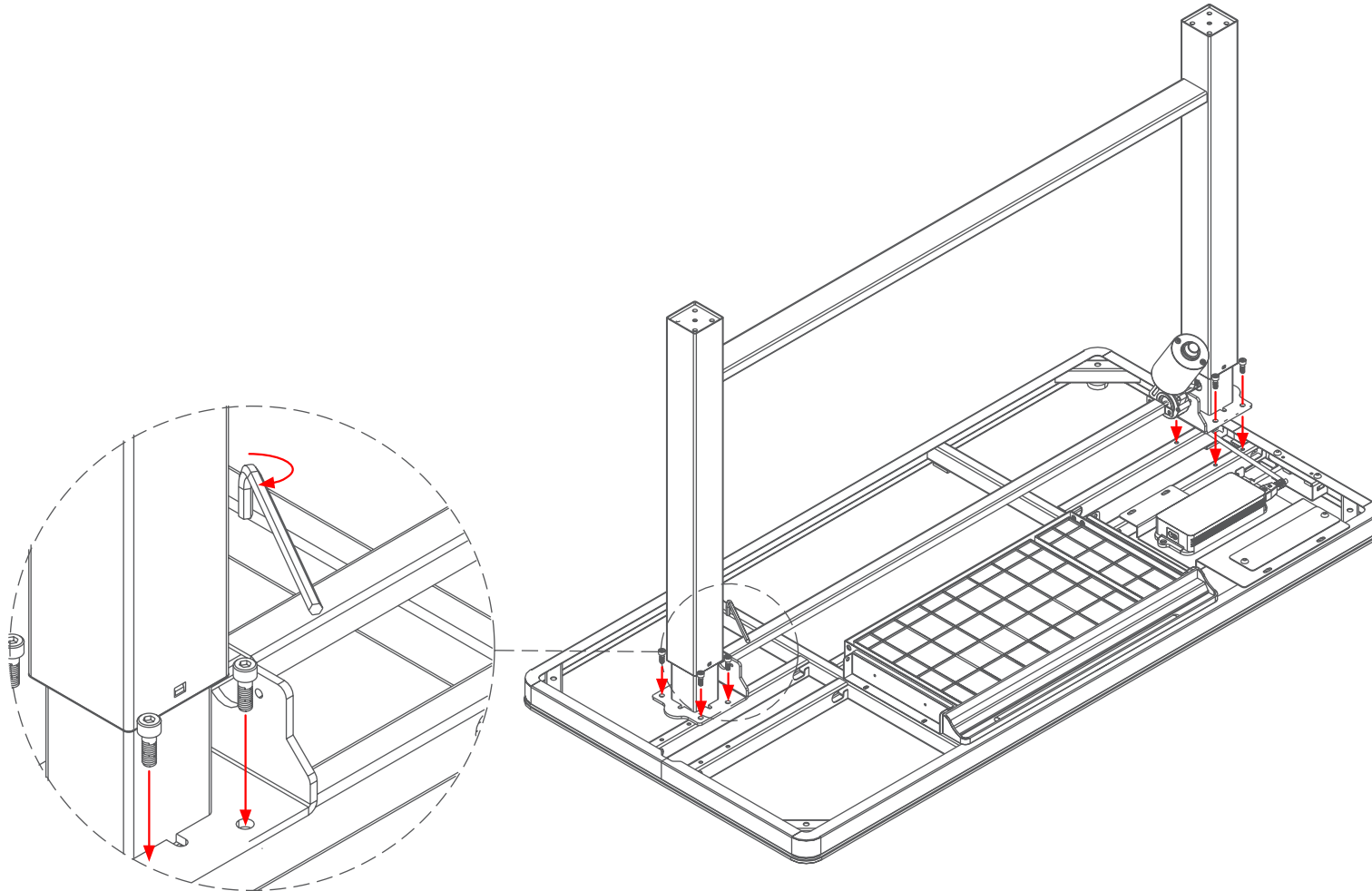
or



STEP 1:



8 - M6 x 16



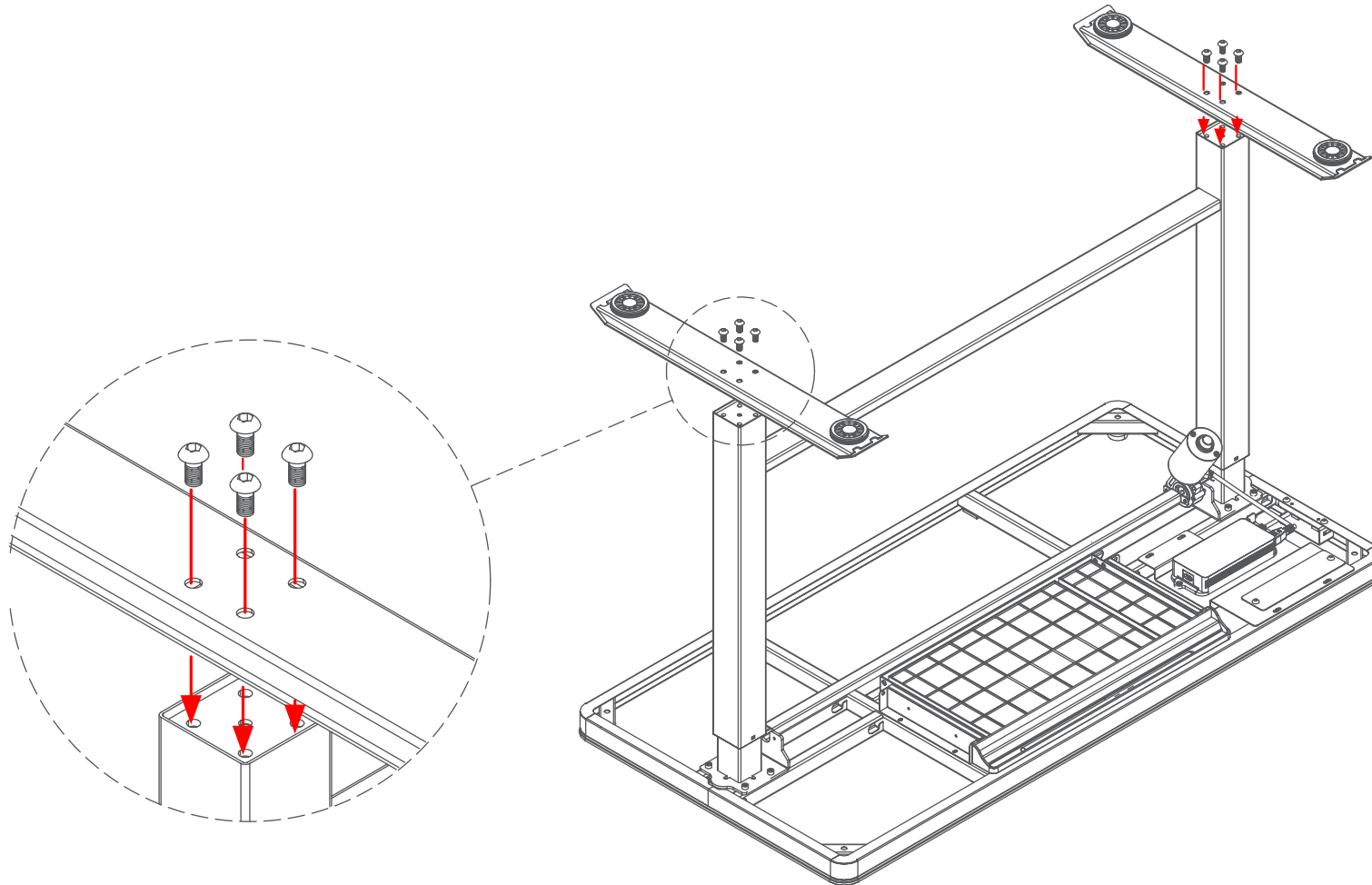
Luxe Home Desk

Assembly Instructions

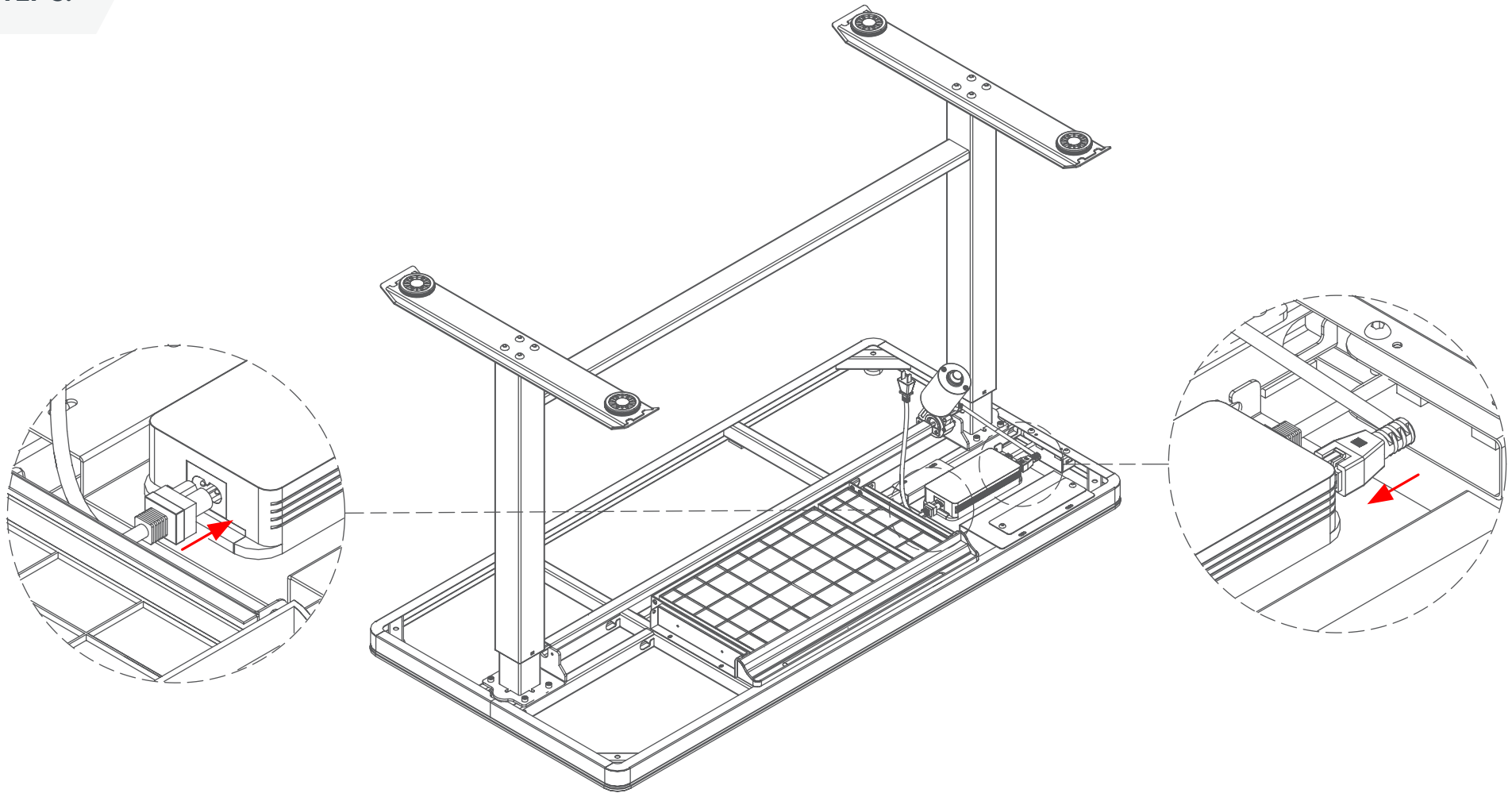
STEP 2:



8 - M8 x 16



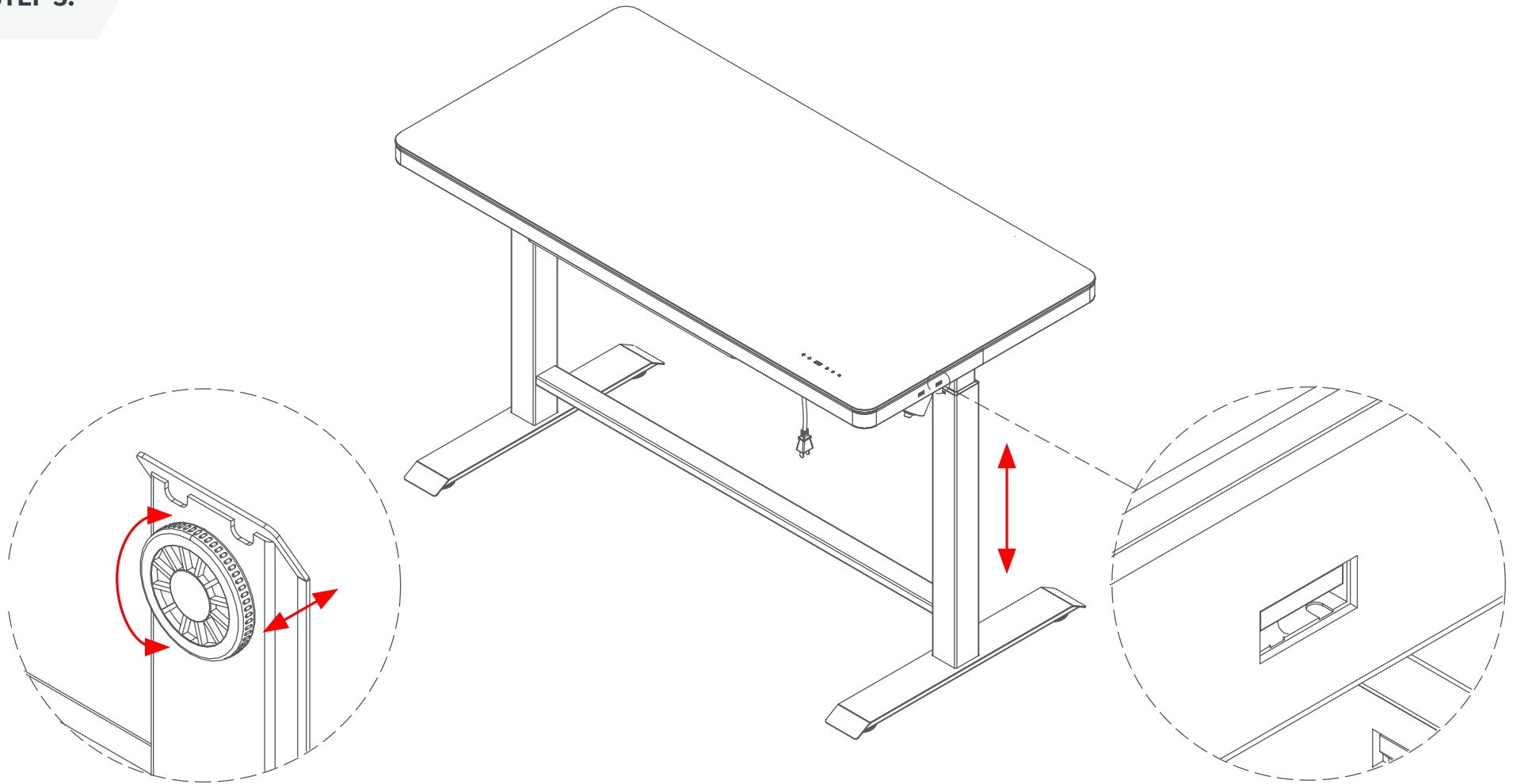
STEP 3:



Luxe Home Desk

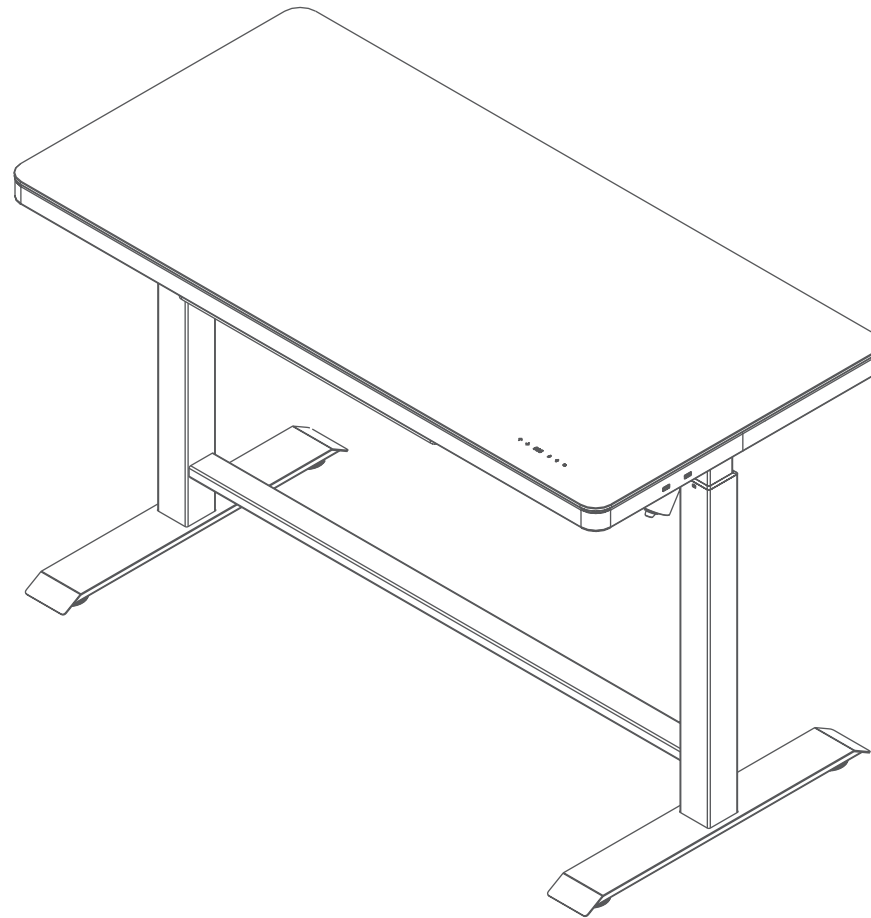
Assembly Instructions

STEP 5:



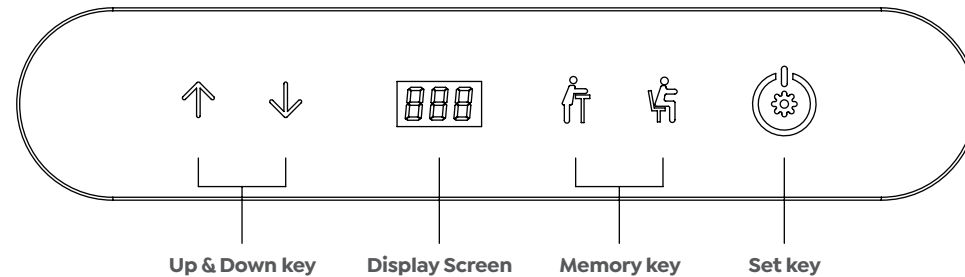
USB Charging Port

Complete:



Luxe Home Desk

Directions For Use



The whole handset surface is a touch panel. If there is no touch within 10 seconds, the screen is locked and all keys are locked correspondingly. You can touch “⊕” keys to unlock screen. When screen lightened, all keys unlocked and handset enter operation state.

Display Screen

Display the height value of the desk.





Up & Down Key

Please keep pressing UP/DOWN key to adjust desk height until you get an optimum height.

Memory Key

After setting memory keys, the desk can lift automatically to memory height.

How to Set Memory Mode

Click the “⊕” key when running to a specific point. The display screen displays “S-” and “-” flashes. At this time, press “ ” button to store the position to the corresponding label. the memory height is successfully saved, Then light press “ ”, the desk moves to memory height automatically.

Set Key

Press the “⊕” key when memory bits and internal parameters need to be set.

Initialisation

- When “RST” is on the display screen, press the “↓” button until the desk frame reaches its lowest point. After hearing the “di” sound and desk frame rebounds, initialization is completed.
(P.S. The button cannot be released during this operation, otherwise the initialization will fail)
- Forced initialization: Press the “↓” button until the desk frame reaches its lowest point, then release the button and press it again for about 5 seconds until hear the “di” sound and desk frame rebound, and the initialization is completed.
- Restore the factory settings: When new controller is changed or the parameters need to be restored to the factory settings, press the “↑” and “⊕” buttons simultaneously, you will hear the first “di” sound after about 5 seconds and second “di” sound after 10 seconds. When the display screen shows “RST”, please operate refer to the No.1 item.

Safety Function

When the desktop is on the rise or down, encountered reverse resistance, the desk will rebound.

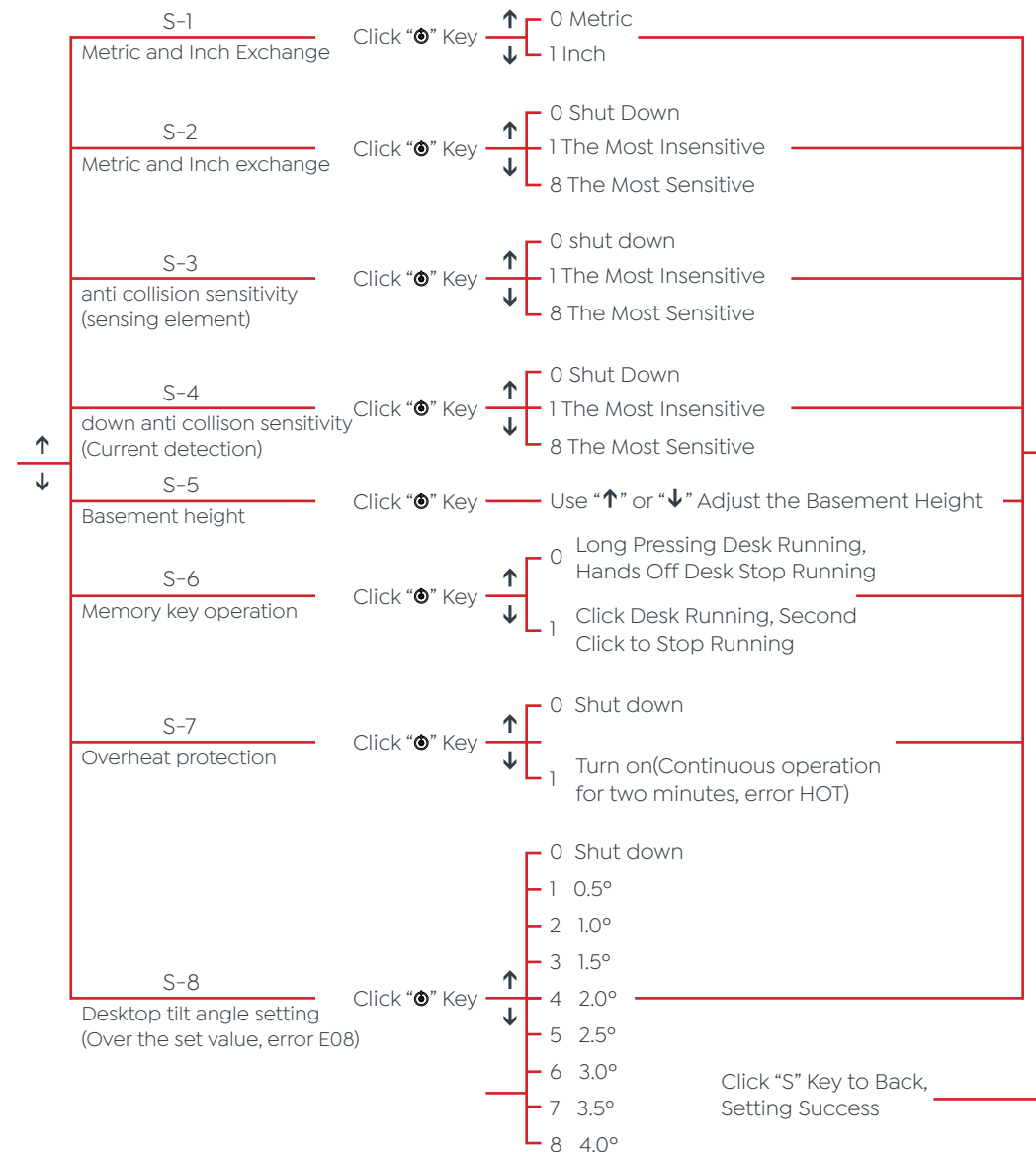
Handset shows error code and solution

Error code	Fault cause	Solution
E01,E06,E07	Power fault	Change power
E02	Psynchronous height over 1cm	Implement the initialization operation 1
E04	Handset fault	Unplug and replug the cable of hand set
E05	Anticollision alert	Rebound reminder , normal condition
E08	Desktop sloping	check the desktop
E11,E21,E40,E41	Connection cable failure	Check the connecting cable
E12,E22,E42,E43	Controller fault	Exchange the controller
E18,E28	Motor fault	change motor
E18,E28	Overloading	reduce the loading
HOT	Overtime operation	Automatic recovery after stop using for 20 minutes

Advanced Function Settings

Limited height setting; Press “↑” and “⊗” key for 5 seconds till heard a bee sound, limited height setting success. (minimum limited height 96 maximum limited height 97). Cancel the function, run to the limit height, press “↑” and “⊗” again for 5 seconds, hear the buzzer sound, limited height Cancel.

Pressing “⊗” key for 5 second till digital screen display “S-1”, press “↑” or “↓” key to choose





Sydney 02 8188 2732

Melbourne 03 9111 0315

Brisbane 07 3733 1923

Adelaide 08 7111 0810

Perth 08 9468 2707

info@olgoffice.com

myolg.online | olgoffice.com | officedesigner.net | motionoffice.com | acoustiq.com.au