

Vista Seating Range.

Product **Specifications**



Vista Seating Range.

Introducing the Vista Seating range – a practical and versatile solution for any office setting. With four distinct models to choose from – Swivel, Glide, Pivot, and Rise – we've got your meeting rooms, breakout areas, and conference spaces sorted.

For those looking to maximize space efficiency, the Vista Glide is your go-to choice. Stackable up to 15 chairs high or 10 chairs high on a trolley and linked via sled feet connectors. Set up and pack down has never been faster or easier. Alternatively, when you need a bird's eye view of the office cafeteria, you're able to sit up tall with the Vista Rise.

A 360-degree range on both the Swivel and Pivot models means that you can easily turn your life around. Both chairs feature a contoured seat and backrest in your choice of upholstery colour. While the Pivot has four fixed legs, the Swivel comes with a sturdy nylon 5-star base and 60mm castors on each foot. Taking functionality a step further, the Swivel features ergonomic armrests for additional comfort during long workdays. On top of their impressive 140kg weight rating, the entire Vista range is covered by OLG's industry-best 10-year warranty.

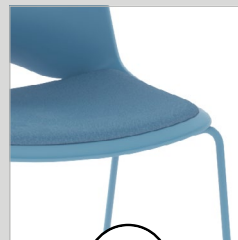
Key Features



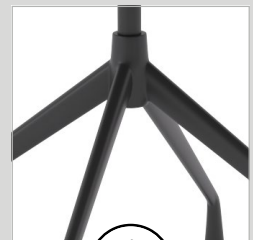
A. Moulded Seat & Back
Single moulded polypropylene shell is comfortable, robust, easy to clean and is available in multiple colours.



B. Fast Assembly
Includes required tool 'bits' and configured to make assembly time even faster.



C. Seat Upholstery
Glide & Rise can be upgraded with moulded foam and upholstered with premium fabric in matching colours. Comes standard on Swivel and Pivot.



D. Strong & Durable
Constructed from strong, rigid, steel frame provides 140kg weight rating that is very light and easy to carry.

Vista Seating Range.

In Detail



Space Saving

Vista Glide can be stacked up to 15 high, or 10 high on a trolley for easier management in mass seating applications.



Warranty

10 year warranty is the best in its class giving you peace of mind for years to come.



Versatile Designs

The Vista range is perfect to use throughout the office from meeting rooms to breakout and conference areas.



Integrated Foot Links

Vista Glide chair feet double as connectors – perfect for joining together in large venues.



Heavy-Duty Castors

Vista Swivel has 60mm heavy-duty swivel castors for greater mobility around the office.

Quick Assembly
5 minute assembly time with minimal tools required.

Moulded Comfort

Contoured seat & backrest for added comfort is made from moulded polypropylene in multiple colours to choose from.

Solid Construction

Strong rigid, steel frame that is very light to carry.

Ergonomic Armrests

Vista Swivel comes with additional padded armrests for additional comfort.

10 Year Warranty
Best in its class.

Swivel Function

360 degree swivel range so you can easily turn your life around. (Swivel & Pivot only)

Upholstered Foam Comfort

Glide & Pivot seats can be upgraded with high quality moulded foam and upholstered fabric in matching colours. Comes standard on Swivel and Pivot models.

Sturdy Base

Nylon 5 star base ensures 140kg weight rating for long term durability with frequent use. (Swivel only)

Heavy-Duty Castors

60mm heavy-duty nylon swivel castors for smooth motion around the office. (Swivel only)

Feet Connectors
link chairs together for more structured seating occasions. (Glide only)



* Refer to page 7 for Ratings & Certifications details.



Vista Seating Range.

Vista Range



Black Vista Swivel
with Uphostered Seat,
Nylon 5 Star Base,
Castors & Padded Arms



Moss Vista Glide
with Sled Base
& Connector Feet



Rust Vista Pivot
with Uphostered Seat
& 4 Point Swivel Base



Sky Vista Rise
with Uphostered Seat
& 16mm Steel Frame

Vista Range Colours

Vista Glide



Black



Sky



Moss



Rust



White

Vista Rise



Black



Sky



Moss



Rust



White

Vista Pivot



Black



Rust



White

Vista Swivel



Black



Sky



Moss



Rust

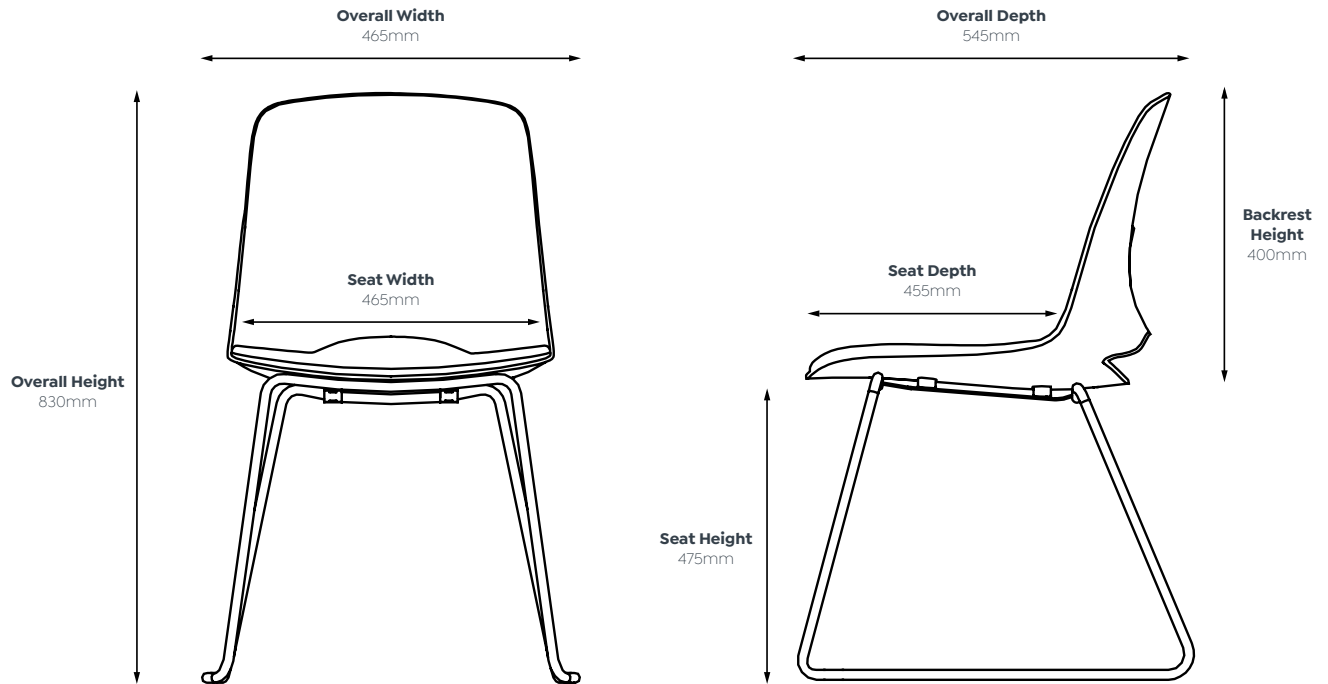


White

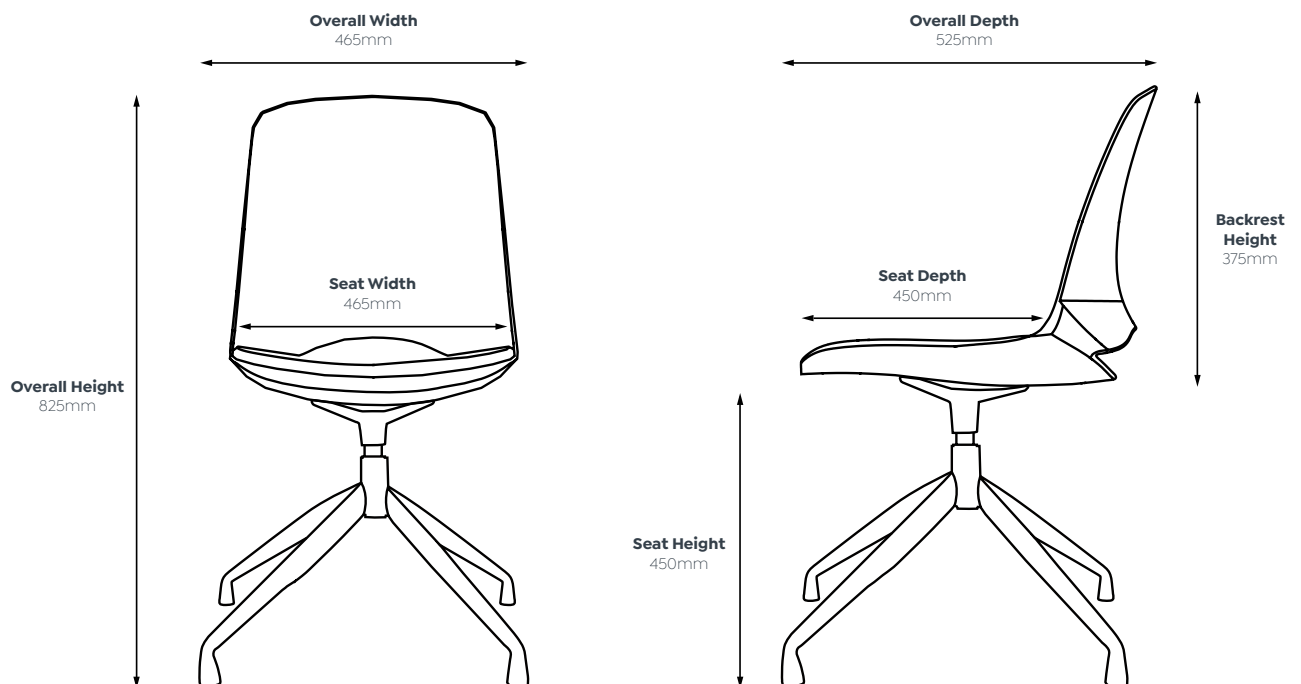
Vista Seating Range.

Dimension Specifications

Vista Glide



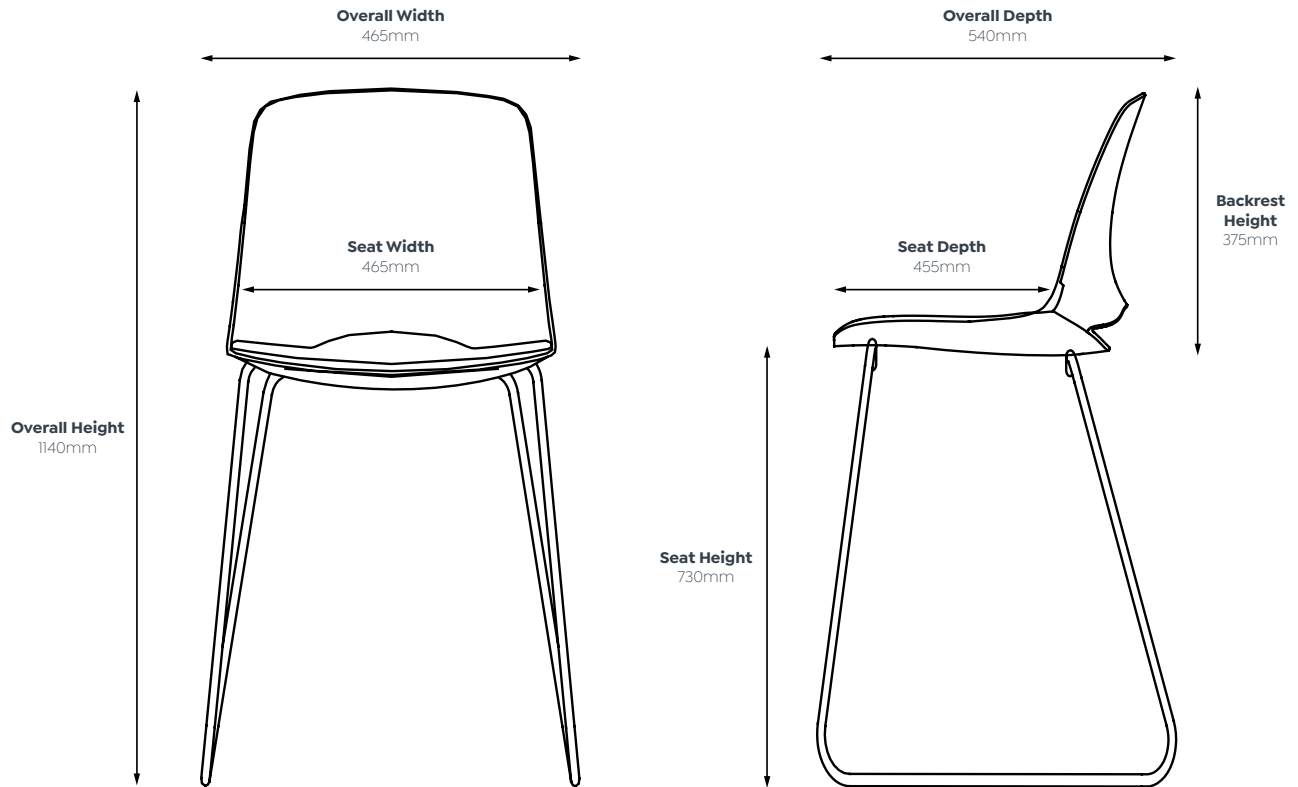
Vista Pivot



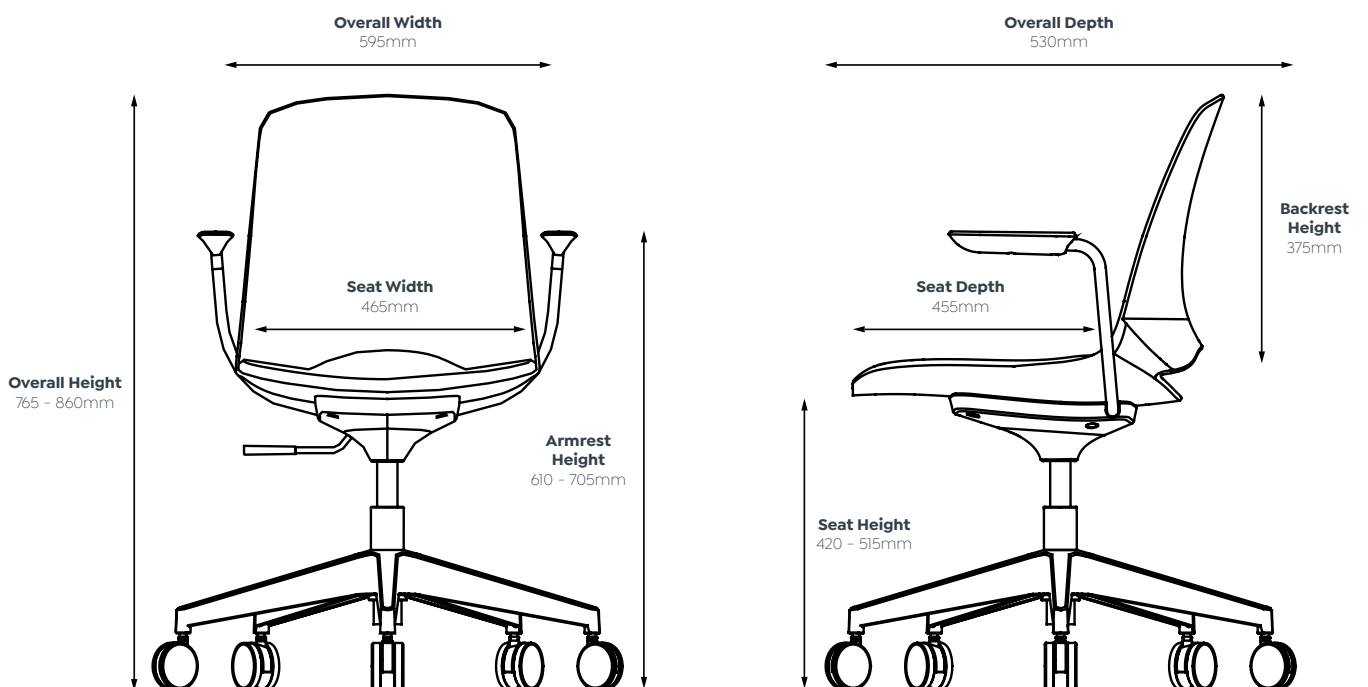
Vista Seating Range.

Dimension Specifications

Vista Rise



Vista Swivel



OLG's Ratings & Certifications.



10 Year Warranty

OLG Warranty promises the original purchaser that it will repair or replace with comparable product, at its option and free of charge (for material and components), any product, part or component which fails under normal use over the duration of the specified warranty term (taken from the date of purchase). Normal commercial usage is defined as the equivalent of a single shift, 40 hour work-week.



Weight Rating

All seating products have an OLG endorsed 120kg minimum weight rating. All OLG seating products are designed with reference to relevant international standards, including ANSI/BIFMA and AS/NZS. These standards stipulate strength & durability requirements and give the user confidence about the product's longevity. OLG's ISO certified factories use propriety test rigs to issue OLG's own weight ratings for chairs.



ISO 14001

ISO 14001 Certification is the international standard that specifies requirements for an effective Environmental Management System (EMS). It provides a framework that OLG as an organization can follow. At OLG we are using this framework as an approach to continuous improvement across all environmental aspects of our business.



ISO 9001

ISO 9001 Certification is the world's most widely recognized Quality Management System (QMS). At OLG its our guiding principle to meet the expectations and needs of our customers through quality management systems that continually monitor and manage quality across all operations to deliver consistent performance and service.



AS/NZS 4801

AS/NZS 4801 is the benchmark to assess Occupational Health & Safety Management systems for organisations. This standard contains vital information about meeting legal requirements and invaluable guidance on how to establish sustained improvement in health and safety performance in your business.



GECA Certification

GECA (The Good Environmental Choice Australia) Ecolabelling Program, operates a national third-party, independently verified ecolabel, in conformance with Environmental labels and declarations (ISO 14024), that can be applied to a wide range of products and services. This certification gives you an independent, reliable and convenient way to select OLG products and services that are certified by GECA to deliver better environmental outcomes. Anvil and Axis (available to GECA specification by special request). EkoSystem approved as EKO Brand.



AFRIDI Certification

AFRDI Certification is a set of standards covering strength, durability, stability and safety (and ergonomics in the case of desks and workstations). This means that OLG are accountable for maintaining the quality of our products, submitting them for regular auditing to ensure they meet the highest standards for commercial use. Applies to: Urban Mesh (Level 6 – Severe Commercial), Modulus Flip Table (Level 3 – Severe Commercial, tested with 1500 x 750 top and Agile+ Single Sided Dual Motor Electric Desk).



BIFMA Certification

BIFMA Certification focuses on safety and performance standards developed by the BIFMA Engineering Committee. The standards provide manufacturers, specifiers, and users with a common basis for evaluating safety, durability, and the structural adequacy of the specified furniture, independent of construction materials. The standards define specific tests, laboratory equipment to be used, the conditions of test, and the minimum acceptance levels to be used in evaluating these products. Applies to: Balance Executive, Balance Task, Optic Chair, Adapta Chair, Game Chair 4 leg, Game Chair 4 leg with seat and back pads, Game Sled, Game Sled with seat and back pads, Agile+, Agile Electric 2-Column single motor, Motion Sync



Australian Trusted Trader

Australian Trusted Trader Certification is a standard that rewards companies showing compliant behaviour, secure supply chain with strong security practices, to enjoy a wide range of trade facilitation benefits. OLG have held this status since 2017.



FSC

FSC is the leading catalyst and defining force for improved forest management and market transformation, shifting the global forest trend toward sustainable use, conservation, restoration, and respect for all. Applies to: Plantation timber legs



GREENGUARD Certification

A GREENGUARD Certification ensures that a product has met some of the world's most rigorous and comprehensive standards for low emissions of volatile organic compounds (VOCs) into indoor air. GREENGUARD Gold Certification offers certification criteria that considers safety factors to account for sensitive individuals (such as children and the elderly), and ensures that a product is acceptable for use in environments such as schools and healthcare facilities.

Vista Seating Range.

Cheat Sheet Quick Guide

Standard Features

Single moulded polypropylene shell is comfortable, robust, easy to clean and is available in a multiple choice of colours

Fast assembly time

Swivel and Pivot models come standard with premium, high resistant moulded foam and upholstered in high quality fabric with multiple colours to choose from

Frame constructed from rigid, steel that is very durable, light and easy to carry

140kg weight rating

10 year warranty

The Vista range is perfect to use throughout the office from meeting and visitor rooms to breakout or conference and training areas

Vista Swivel models have 60mm heavy-duty swivel castors for greater mobility around the office

Vista Glide model comes standard with chair feet that double as integrated connectors

Vista Glide models can also be stacked up to 15 high, or 10 high on a trolley for easier management in mass seating environments

Optional Upgrades

Glide and Rise models can be upgraded with premium high resistant moulded foam and upholstered in premium fabric in multiple colours

Vista Range



Black Vista Swivel with Upholstered Seat, Nylon 5 Star Base, Castors & Padded Arms



Moss Vista Glide with Sled Base & Connector Feet



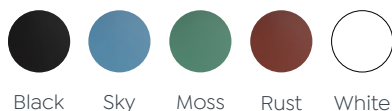
Rust Vista Pivot with Upgraded Upholstered Seat & 4 Point Swivel Base



Sky Vista Rise with Upgraded Upholstered Seat & 16mm Steel Frame

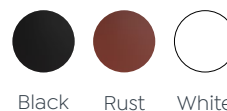
Fabric Colour Options

Glide / Rise / Swivel



Black Sky Moss Rust White

Pivot



Black Rust White



Vista black Swivel seating with Team meeting table.



Vista moss Glide, black Pivot and rust Rise seating with Flare meeting tables and Bar Leaner.

Additional Options.

Desking



QuickStand Desk
Height Adjustable
Single Sided Desk



Agile Fixed
Single Sided Desk



Agile Fixed
90° Workspace



Agile Fixed
Desk with Return



Agile Fixed
2 User 90° Workspace



Agile Winder
Height Adjustable
2 User Double Sided Desk



Agile Winder
Height Adjustable
Single Sided Desk



Agile Electric 2 Column
Height Adjustable
Single Sided Desk



Agile Electric 2 Column
Height Adjustable
90° Workspace



Agile Electric 2 Column
Height Adjustable
2 User 90° Workspace



Agile+ Electric 3 Column
Height Adjustable
Single Sided Desk



Agile+ Electric 3 Column
Height Adjustable
90° Workspace



Agile+ Electric 3 Column
Height Adjustable
120° Workspace



Agile+ Electric 3 Column
Height Adjustable
2 User Double Sided Desk



Agile+ Electric 3 Column
Height Adjustable
Triple 120° Workstation



Agile+ Round Legs 3C
Electric Height Adjustable
Single Sided Desk



Agile+ Round Legs 3C
Electric Height Adjustable
Single Sided Desk



Agile+ Round Legs 3C
Electric Height Adjustable
Single Sided Desk



Agile+ Round Legs 3C
Electric Height Adjustable
Single Sided Desk



Agile+ Round Legs 3C
Electric Height Adjustable
Triple 120° Workstation



Anvil
Single Sided Desk
with Studio50 Screen



Anvil
Single Sided
90° Workspace



Anvil
2 User Double Sided
90° Workspace



Anvil
2 User Single Sided Desk
with Studio50 Screen



Axis
Single Sided Desk
with Modesty



Axis
Single Sided Desk
with Return



Axis
2 User Single Sided Desk
with Studio50 Screen



EkoSystem
Single Sided Desk



EkoSystem
Single Sided Desk with Return



EkoSystem
90° Workstation



How can we be of help?

02 8188 2732

info@olgooffice.com

myolg.online

olgooffice.com

officedesigner.net

motionoffice.com

officefitoutcalculator.com.au

myolgpricelist.online

acoustiq.com.au