

OLG



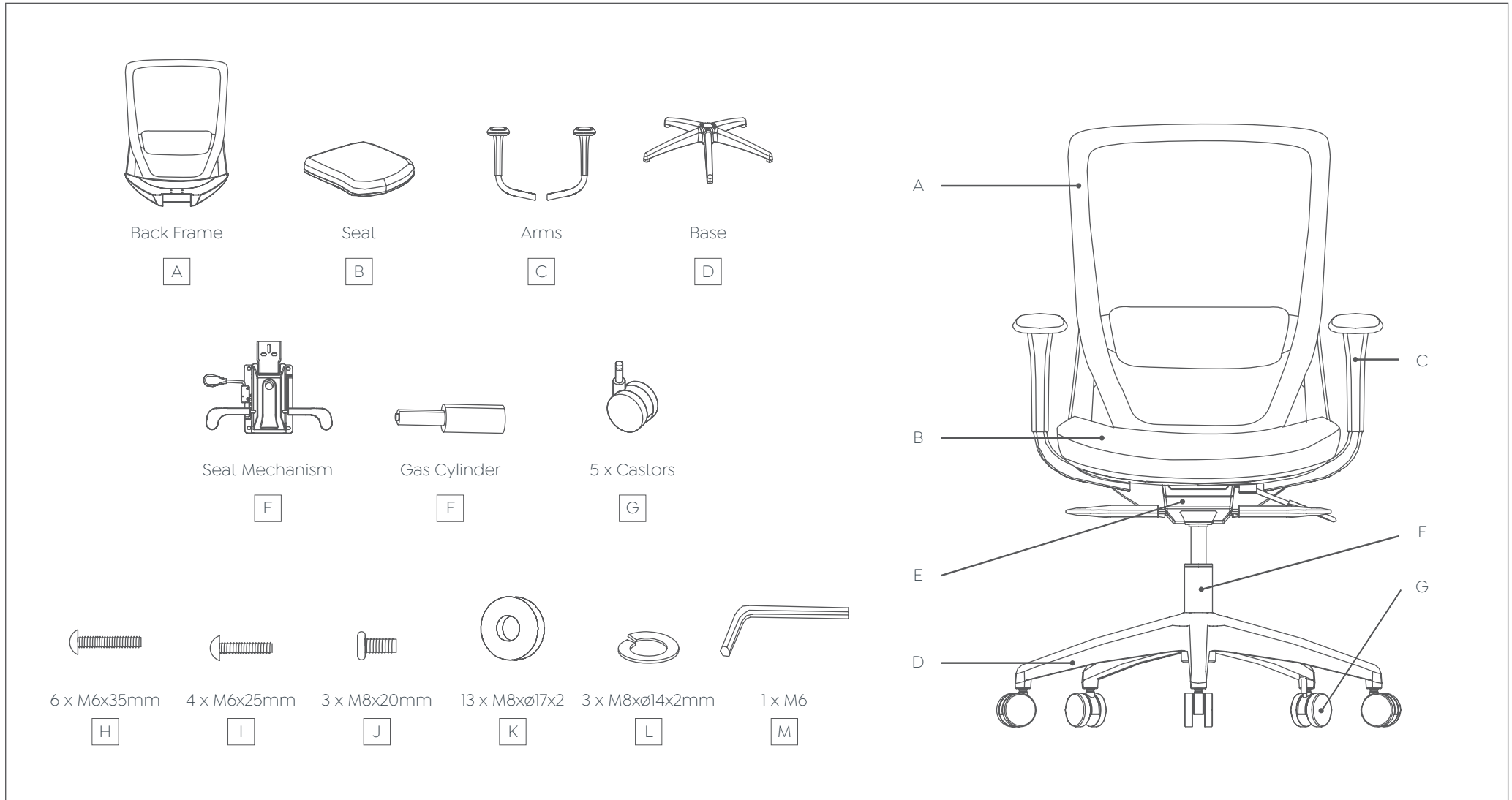
---

**Engage**

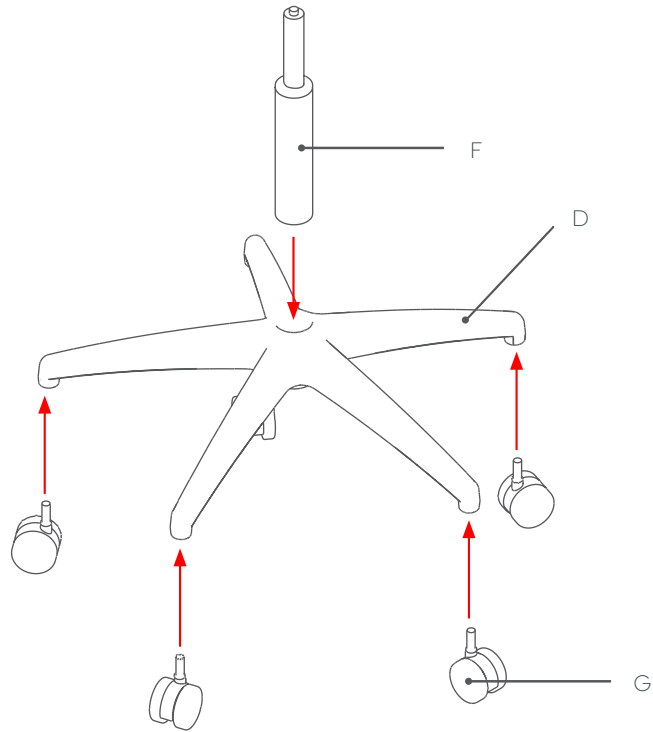
Assembly Instructions

# Engage

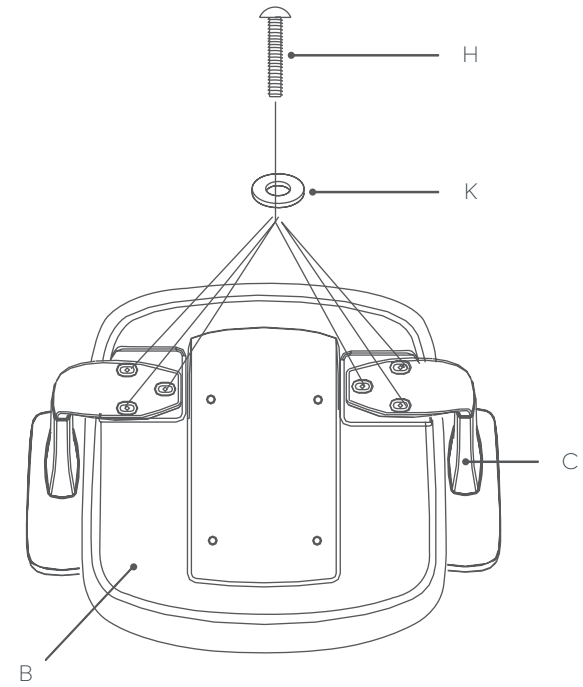
## Components List



STEP 1:



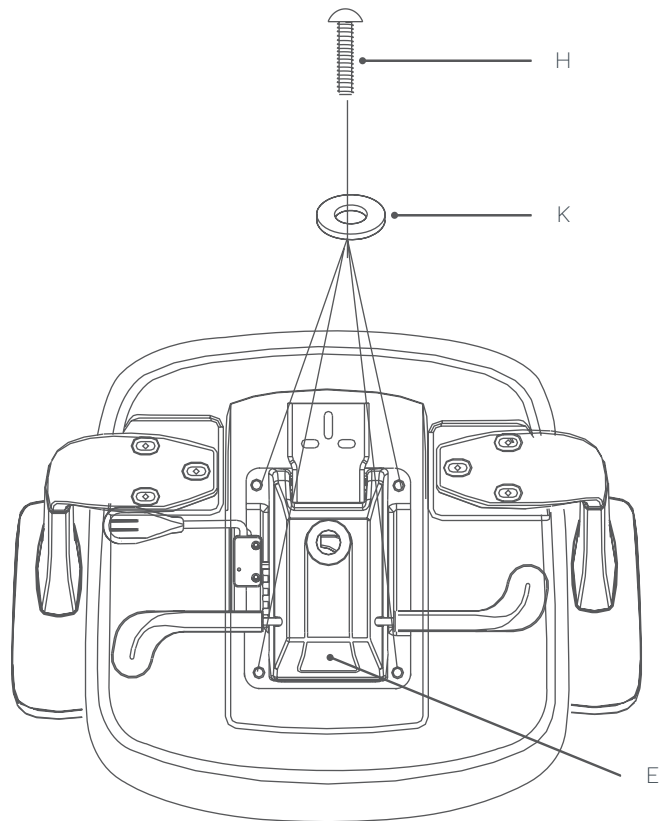
STEP 2:



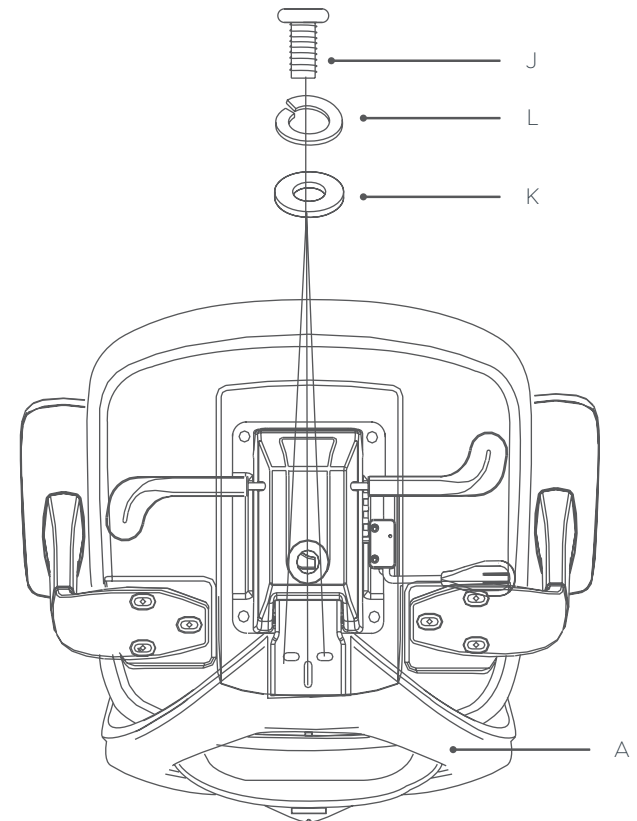
# Engage

## Assembly Instructions

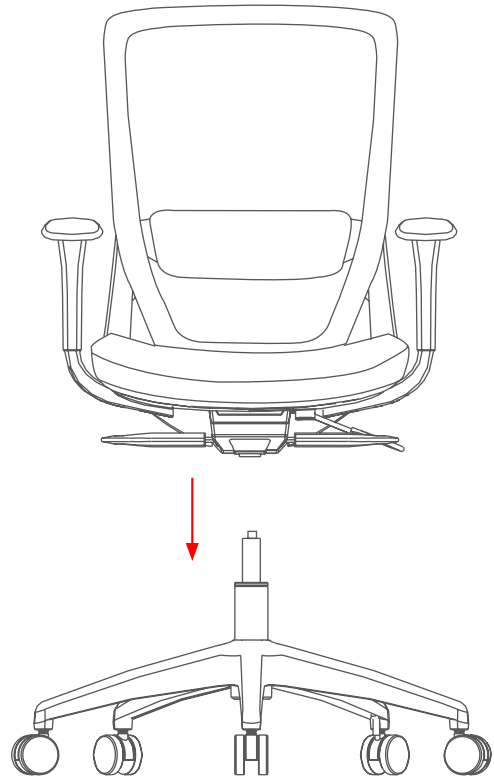
### STEP 3:



### STEP 4:



**STEP 5:**



**Complete:**





**Sydney** 02 8188 2732

**Melbourne** 03 9111 0315

**Brisbane** 07 3733 1923

**Adelaide** 08 7111 0810

**Perth** 08 9468 2707

[info@olgoffice.com](mailto:info@olgoffice.com)

[myolg.online](https://myolg.online) | [olgoffice.com](https://olgoffice.com) | [officedesigner.net](https://officedesigner.net) | [motionoffice.com](https://motionoffice.com)