

OLG

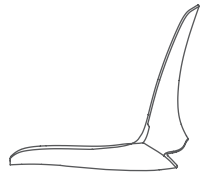


Vista Swivel Padded

Assembly Instructions

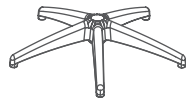
Vista Swivel Padded

Components List



Backrest & Padded Seat

A



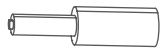
Base

B



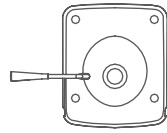
5 x Castors

C



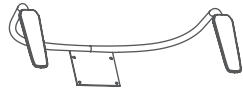
Gas Cylinder

D



Seat Mechanism

E



Arms

F



4 x M6x16mm

G



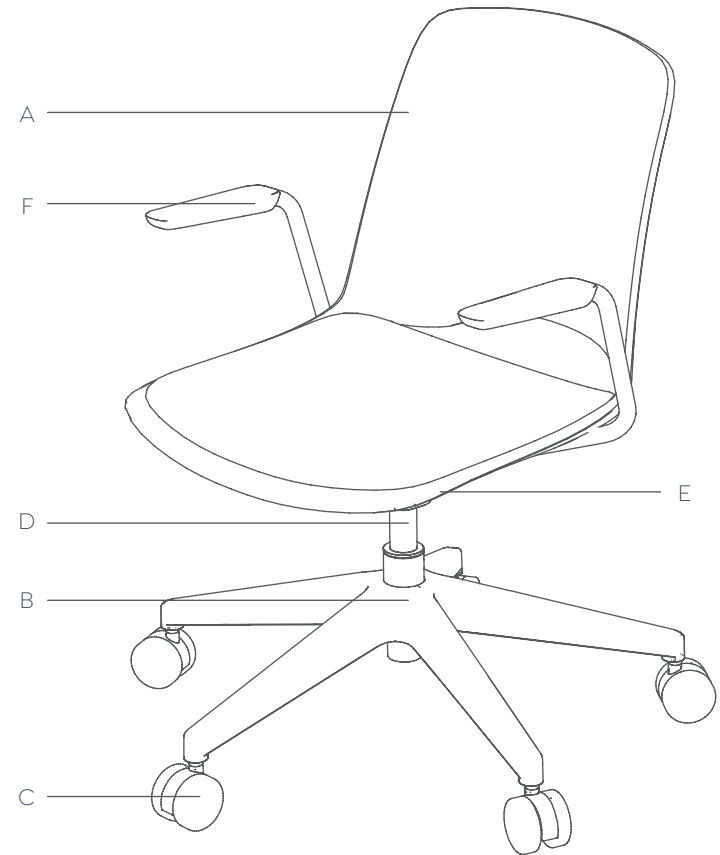
4 x M6x20mm

H

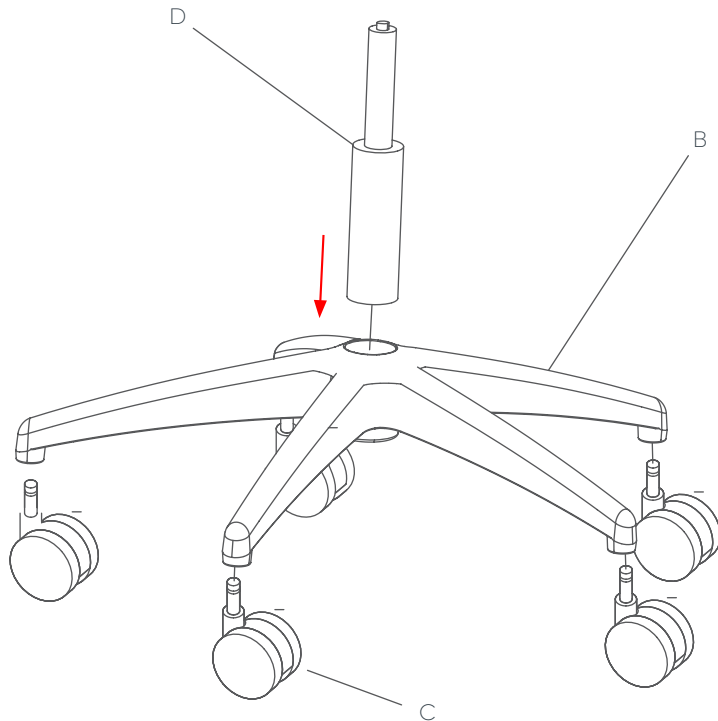


1 x M6

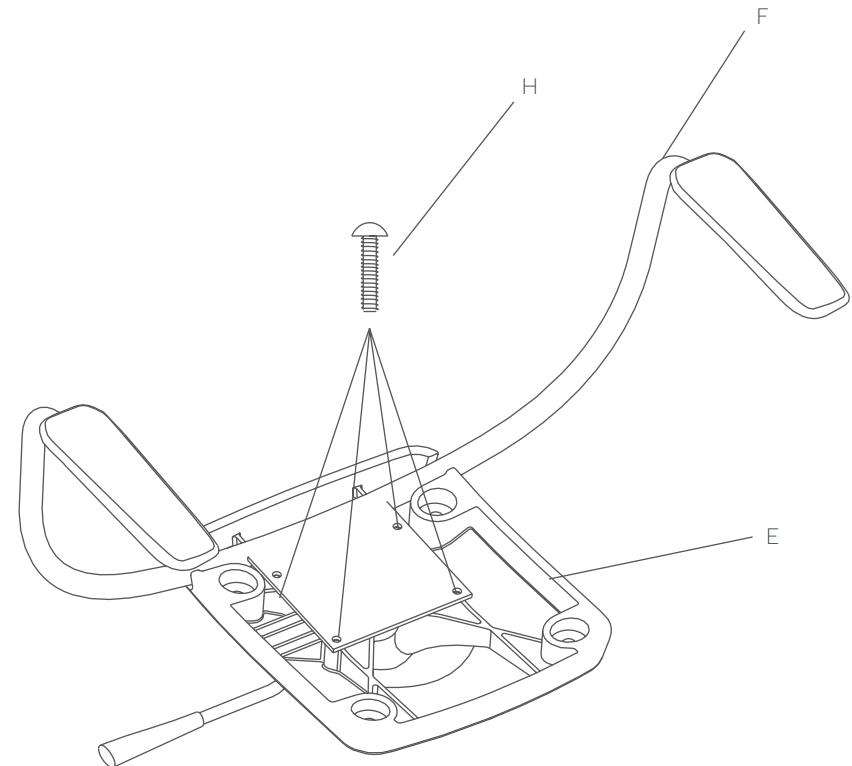
I



STEP 1:



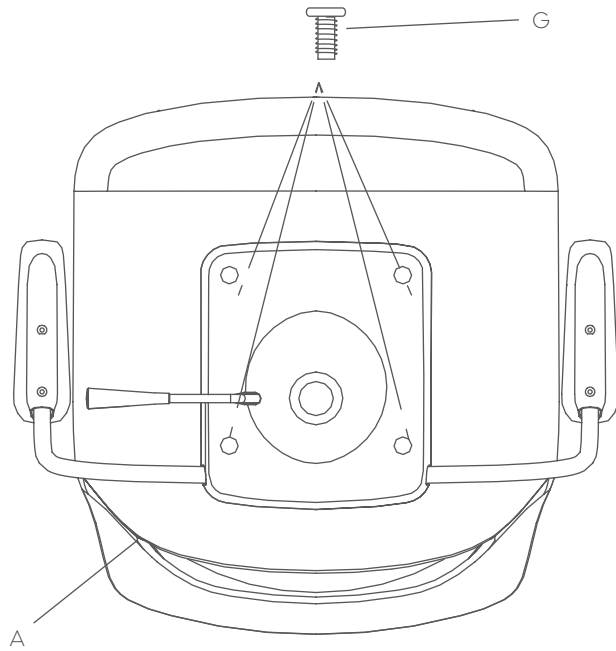
Step 2:



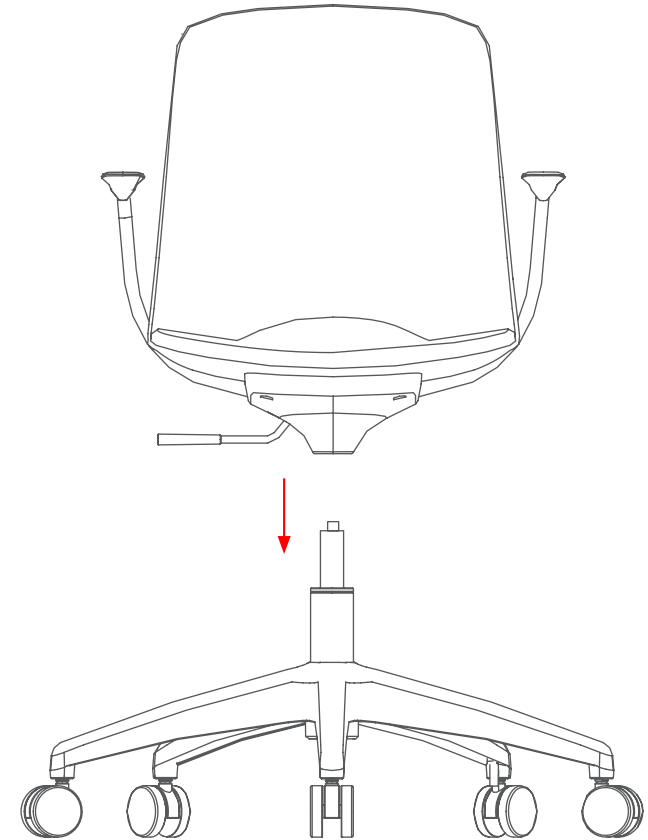
Vista Swivel Padded

Assembly Instructions

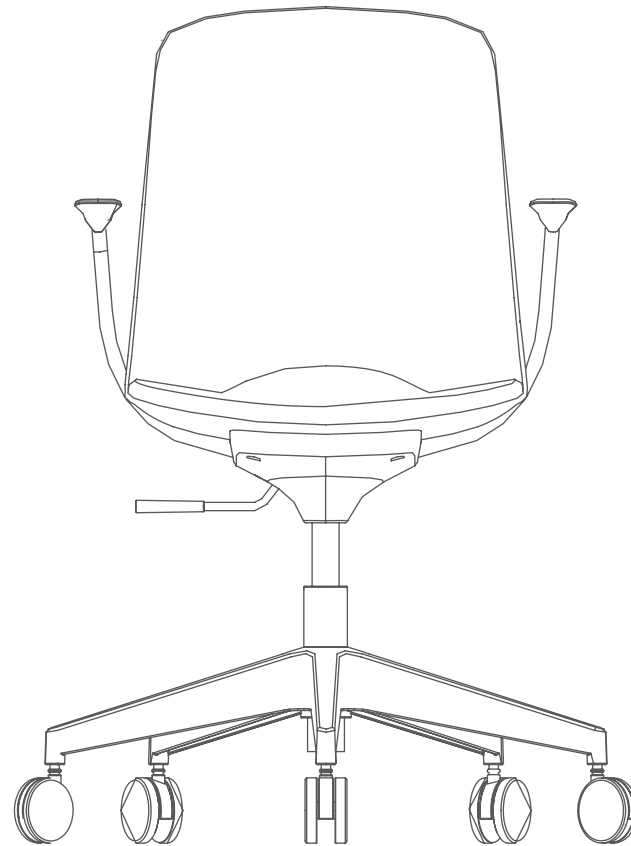
STEP 3:



STEP 4:



Complete:





Sydney 02 8188 2732

Melbourne 03 9111 0315

Brisbane 07 3733 1923

Adelaide 08 7111 0810

Perth 08 9468 2707

info@olgoffice.com

myolg.online | olgoffice.com | officedesigner.net | motionoffice.com