



Ascend Tech Adjust Flip Table.

Product **Specifications**



Innovative Thinking • Responsive Support • Open Communication

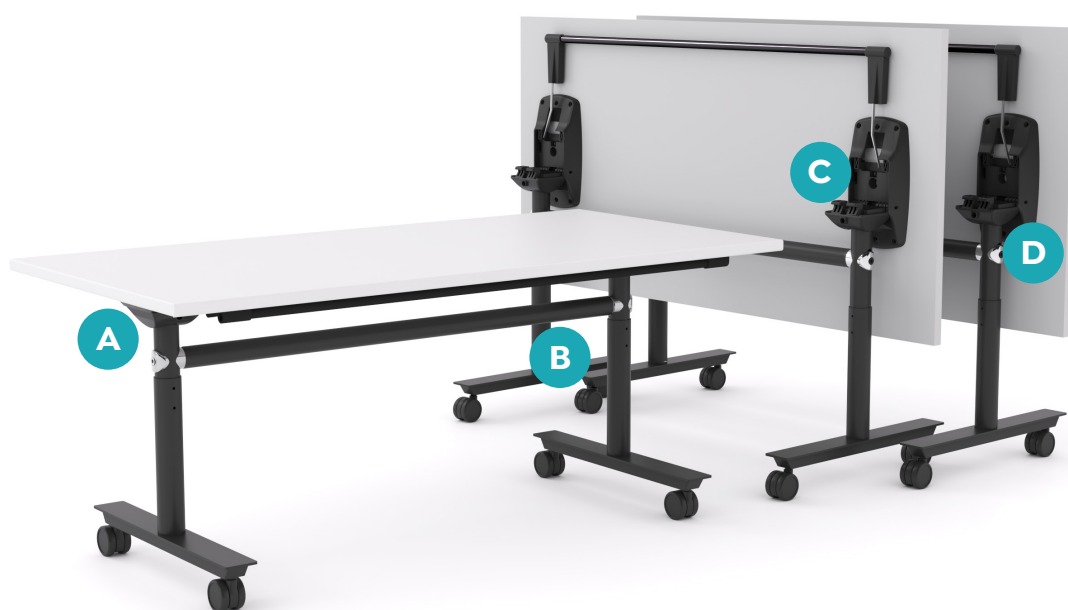
myolg.online

Ascend Tech Adjust Flip Table.

Introducing the Ascend Table, the perfect solution for all your education & training needs. With its unique flip top design and height adjustment features, it makes learning easier than ever. The Ascend Table is suitable for all age groups, making it the perfect fit for classrooms and training centres of all kinds.

Assembling the table is a breeze thanks to its user-friendly design, taking less than 5 minutes to build from scratch. The mechanism locks while being used, so you can work without wobble. And finally, the safety lock feature ensures that the top remains upright while being stored, providing added safety and security.

Key Features



A. Technician Adjustable

Technician adjustable for all age groups in 40mm increments from 600 - 840mm (includes 25mm worktop thickness).



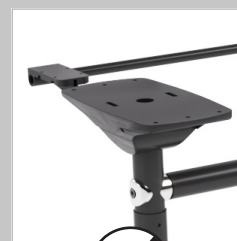
B. Fast Assembly

Comes mostly assembled and can be installed in less than 5 minutes.



C. Safety Locking

When tilted upright, the mechanism will lock to prevent an accidental return to horizontal.



D. No-wobble Tilt Mechanism

Easy use flipping mechanism - Our precision mechanism locks in super tight horizontally so there is zero wobble in the top.

Ascend Tech Adjust Flip Table.

In Detail



Easy Use Flipping Mechanism

Our precision mechanism locks in super tight horizontally so there is zero wobble on the worktop.



Space Saving

When it's time to clear some space, this desk folds and nests together for easy storage.



Mobility for Easy Shifting

Four large easy-roll castors with locking function for easy table transport.



Joining Tables is Easy

Turn a single table into a multi-workstation hub with tabletop joiners.



Long Life Frames

Durable welded steel construction designed to last a minimum 20 years.

E0 Grade Worktop

Super low emission melamine worktops with matching hardedge to take the knocks.

Flip Mechanism

Strong flip mechanism with safety stay upright locks and no-wobble tilt mechanism.

Easy Use Flipping Mechanism

One handed pull bar with just the right tension for ease of use.



Fast Assembly
Comes with 1 piece welded leg and foot.

Strength

140kg load rating ensure long term durability with frequent use.

Easy moving

Two lockable swivelling 70mm castors on each foot.

10 Year Warranty
Best in it's class.



* Refer to page 6 for Ratings & Certifications details.

Ascend Tech Adjust Flip Table.

Colour Options



Ascend Tech Adjust Flip Table
Black Frame with White Worktop



Ascend Tech Adjust Flip Table
Black Frame with New Oak Worktop



Ascend Tech Adjust Flip Table
+ 2 Nesting

Melamine Worktop Colour Options



New Oak



White

Powdercoated Frame Colour Option



Black



Ascend Tech Adjust Flip Table.



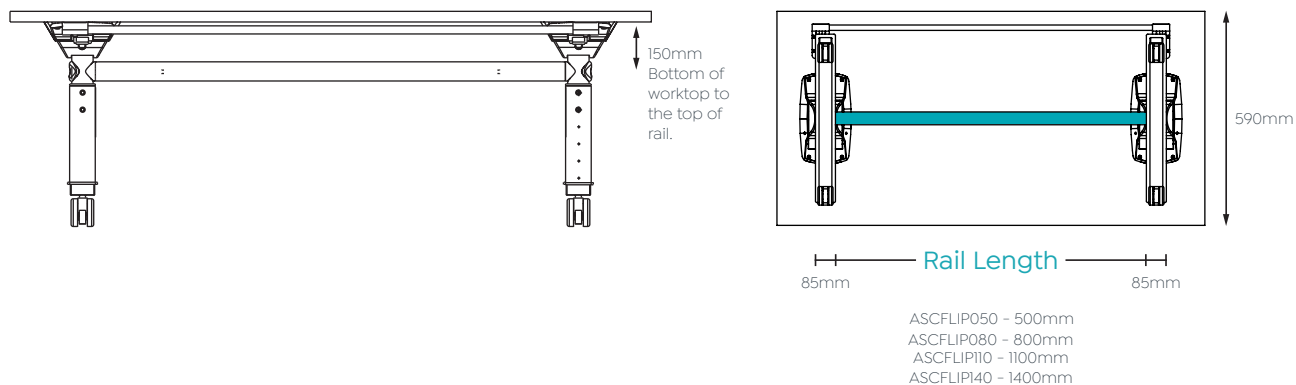
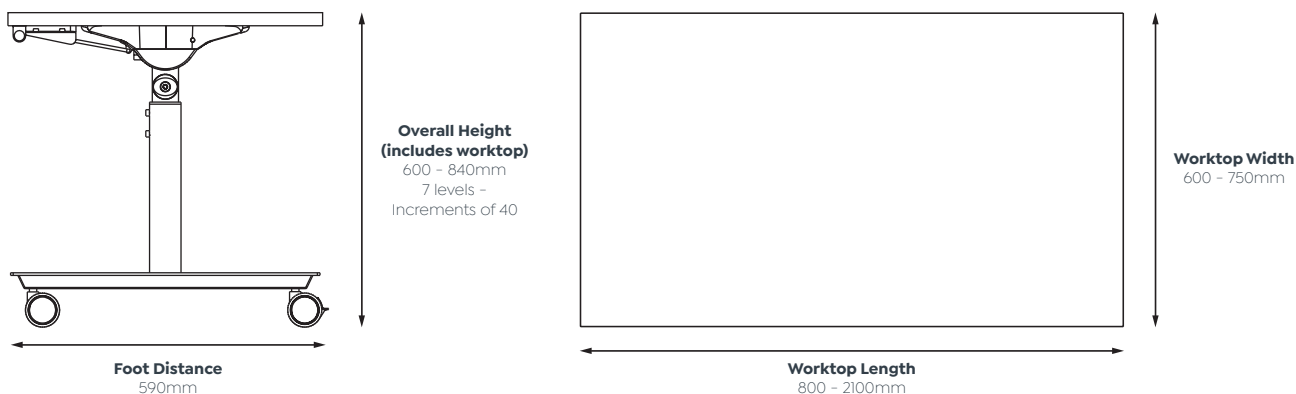
Worktops Available In

1200 x 600mm	1600 x 600mm
1200 x 750mm	1600 x 750mm
1500 x 600mm	1800 x 600mm
1500 x 750mm	1800 x 750mm

Frames Available In

800mm - 1200mm x 600 - 750mm
1100mm - 1500mm x 600 - 750mm
1400mm - 1800mm x 600 - 750mm
1700mm - 2100mm x 600 - 750mm

Additional Frame Details



OLG's Ratings & Certifications.



10 Year Warranty

OLG Warranty promises the original purchaser that it will repair or replace with comparable product, at its option and free of charge (for material and components), any product, part or component which fails under normal use over the duration of the specified warranty term (taken from the date of purchase). Normal commercial usage is defined as the equivalent of a single shift, 40 hour work-week.



Weight Rating

All seating products have an OLG endorsed 120kg minimum weight rating. All OLG seating products are designed with reference to relevant international standards, including ANSI/BIFMA and AS/NZS. These standards stipulate strength & durability requirements and give the user confidence about the product's longevity. OLG's ISO certified factories use propriety test rigs to issue OLG's own weight ratings for chairs.



ISO 14001

ISO 14001 Certification is the international standard that specifies requirements for an effective Environmental Management System (EMS). It provides a framework that OLG as an organization can follow. At OLG we are using this framework as an approach to continuous improvement across all environmental aspects of our business.



ISO 9001

ISO 9001 Certification is the world's most widely recognized Quality Management System (QMS). At OLG its our guiding principle to meet the expectations and needs of our customers through quality management systems that continually monitor and manage quality across all operations to deliver consistent performance and service.



AS/NZS 4801

AS/NZS 4801 is the benchmark to assess Occupational Health & Safety Management systems for organisations. This standard contains vital information about meeting legal requirements and invaluable guidance on how to establish sustained improvement in health and safety performance in your business.



GECA Certification

GECA (The Good Environmental Choice Australia) Ecolabelling Program, operates a national third-party, independently verified ecolabel, in conformance with Environmental labels and declarations (ISO 14024), that can be applied to a wide range of products and services. This certification gives you an independent, reliable and convenient way to select OLG products and services that are certified by GECA to deliver better environmental outcomes. Anvil and Axis (available to GECA specification by special request). EkoSystem approved as EKO Brand.



AFRIDI Certification

AFRDI Certification is a set of standards covering strength, durability, stability and safety (and ergonomics in the case of desks and workstations). This means that OLG are accountable for maintaining the quality of our products, submitting them for regular auditing to ensure they meet the highest standards for commercial use. Applies to: Urban Mesh (Level 6 – Severe Commercial), Modulus Flip Table (Level 3 – Severe Commercial, tested with 1500 x 750 top and Agile+ Single Sided Dual Motor Electric Desk).



BIFMA Certification

BIFMA Certification focuses on safety and performance standards developed by the BIFMA Engineering Committee. The standards provide manufacturers, specifiers, and users with a common basis for evaluating safety, durability, and the structural adequacy of the specified furniture, independent of construction materials. The standards define specific tests, laboratory equipment to be used, the conditions of test, and the minimum acceptance levels to be used in evaluating these products. Applies to: Balance Executive, Balance Task, Optic Chair, Adapta Chair, Game Chair 4 leg, Game Chair 4 leg with seat and back pads, Game Sled, Game Sled with seat and back pads, Agile+, Agile Electric 2-Column single motor, Motion Sync



Australian Trusted Trader

Australian Trusted Trader Certification is a standard that rewards companies showing compliant behaviour, secure supply chain with strong security practices, to enjoy a wide range of trade facilitation benefits. OLG have held this status since 2017.



FSC

FSC is the leading catalyst and defining force for improved forest management and market transformation, shifting the global forest trend toward sustainable use, conservation, restoration, and respect for all. Applies to: Plantation timber legs



GREENGUARD Certification

A GREENGUARD Certification ensures that a product has met some of the world's most rigorous and comprehensive standards for low emissions of volatile organic compounds (VOCs) into indoor air. GREENGUARD Gold Certification offers certification criteria that considers safety factors to account for sensitive individuals (such as children and the elderly), and ensures that a product is acceptable for use in environments such as schools and healthcare facilities.

Ascend Tech Adjust Flip Table.

Cheat Sheet Quick Guide

Standard Features

Technician adjustable for all age groups- Technician adjustable in 40mm increments from 600mm to 840mm (includes measuring worktop thickness)

Eco Friendly powdercoat finish in black to legs, pullbar and feet

Fast assembly- comes mostly assembled - less than 5 minutes per frame install time

Easy use flipping mechanism- one handed pull bar with just the right tension for ease of use

Safety locking- when tilted upright, the mechanism has locking stays on each mechanism to prevent accidental return to horizontal. To return to level, simply pull the pullbar to release

Sizing: Frames to suit top lengths of 800-2100mm, and top widths of 600-750mm

Space saving when not required for a table- when you want a clear room, the tables fold and nest together to give 80% more space for other activities.

Heavy Duty tops and hard-wearing edges- 25mm environmentally friendly EO grade worksurfaces in melamine, with matching hardcore edging to take the knocks.

Mobility for easy shifting: 4 x Large easy-roll locking castors with locking function to make the table easy to move. When you have located the table where you need it, the castors can be locked to make non-mobile.

Joining tables is easy- Easily butt tops together and lock together using the top joiner provided with the frame.

No-wobble tilt mechanism- there is nothing worse than a table with wobble-this is a precision mechanism that locks in the horizontal super tight so there is zero wobble in the top.

Long Life frames- durable welded steel construction designed to last a minimum 20 years.

2 FREE pairs of links with each flip table!



Alloy Flip Table Link
MFLINKA

Melamine Worktop Colour Options



New
Oak



White

Powdercoated Frame Colour Option



Black





Ascend Tech Adjust Flip Table with Logic Chair.



Ascend Tech Adjust Flip Table with Logic Chair.

Additional Options.

Storage



Axis Mobile Drawers
Two Box Drawers + One File Drawer - Gang Locking



Axis Mobile Drawers
Four Box Drawers Gang Locking



Axis Caddy Mobile Bookcase
2 x Adjustable Shelves



Axis Caddy Mobile Bookcase
1 x Drawer Insert
Left or Right Handed Configuration



Axis Caddy Mobile
2 x Drawer Insert



Axis Caddy Mobile Bookcase
1 x Tambour Insert
Left or Right Handed Configuration



Axis Caddy Mobile Bookcase
1 x Tambour Insert
1 x Drawer Insert
Left or Right Handed Configuration



Axis Caddy Mobile
2 x Tambour Insert



Agile Steel Caddy L/H
Metal caddy unit with tambour and 3 drawers. Available in 2 Powdercoats



Agile Steel Caddy R/H
Metal caddy unit with tambour and 3 drawers. Available in 2 Powdercoats



Agile Regular Steel Mobile
Metal mobile drawer unit with 2 drawers and 1 file. Available in 2 Powdercoats



Agile Narrow Steel Mobile
Metal mobile drawer unit with 2 drawers and 1 file. Available in 2 Powdercoats



Axis Credenza 1200 Two Levels
2 x 25 mm adjustable shelves



Axis Credenza 1800 Two Levels
1 x 18 mm adjustable shelves
4x hinged locking doors



Axis Bookshelf Three Levels
2 x 25 mm adjustable shelves



Axis Bookshelf Five Levels
3 x 25 mm adjustable shelves
1 x fixed shelf



Axis Cupboard Locking Three Levels
2 x 18mm adjustable shelves



Axis Cupboard Locking Five Levels
3 x 18 mm adjustable shelves
1 x fixed shelf



Axis Tower Bookcase
2 x Adjustable Shelves



Axis Tower Bookcase
1 x Drawer Insert

Accessories



Monitor Arms
Axis / Studio50 Brackets



Cable Management
Above Desk / Below Desk



Modesties
Melamine / Metal



Laptop Riser
Available in Black



Deskmount Shelves
Studio White
243 high x 600 wide x 300 deep

Additional Options.

Desking



QuickStand Desk
Height Adjustable
Single Sided Desk



Agile Fixed
Single Sided Desk



Agile Fixed
90° Workspace



Agile Fixed
Desk with Return



Agile Fixed
2 User 90° Workspace



Agile Winder
Height Adjustable
2 User Double Sided Desk



Agile Winder
Height Adjustable
Single Sided Desk



Agile Electric 2 Column
Height Adjustable
Single Sided Desk



Agile Electric 2 Column
Height Adjustable
90° Workspace



Agile Electric 2 Column
Height Adjustable
2 User 90° Workspace



Agile+ Electric 3 Column
Height Adjustable
Single Sided Desk



Agile+ Electric 3 Column
Height Adjustable
90° Workspace



Agile+ Electric 3 Column
Height Adjustable
120° Workspace



Agile+ Electric 3 Column
Height Adjustable
2 User Double Sided Desk



Agile+ Electric 3 Column
Height Adjustable
Triple 120° Workstation



Agile+ Round Legs 3C
Electric Height Adjustable
Single Sided Desk



Agile+ Round Legs 3C
Electric Height Adjustable
Single Sided Desk



Agile+ Round Legs 3C
Electric Height Adjustable
Single Sided Desk



Agile+ Round Legs 3C
Electric Height Adjustable
Single Sided Desk



Agile+ Round Legs 3C
Electric Height Adjustable
Triple 120° Workstation



Anvil
Single Sided Desk
with Studio50 Screen



Anvil
Single Sided
90° Workspace



Anvil
2 User Double Sided
90° Workspace



Anvil
2 User Single Sided Desk
with Studio50 Screen



Axis
Single Sided Desk
with Modesty



Axis
Single Sided Desk
with Return



Axis
2 User Single Sided Desk
with Studio50 Screen



EkoSystem
Single Sided Desk



EkoSystem
Single Sided Desk with Return



EkoSystem
90° Workstation



How can we be of help?

02 8188 2732

info@olgooffice.com

myolg.online

olgooffice.com

officedesigner.net

motionoffice.com

officefitoutcalculator.com.au

myolgpricelist.online

acoustiq.com.au

Innovative Thinking • Responsive Support • Open Communication