

Evo Chair.

Product Specifications

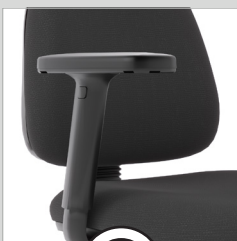


Evo Chair.

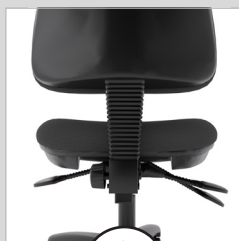
The Evo Chair is all about going back to basics. It's got everything you'd expect from a standard office chair, with some surprising luxuries thrown in for good measure.

Starting with comfort, the Evo chair features a Luxe seat, pronounced lumbar support and a moulded high-density foam backrest. Also included are premium gas lift springs, height-adjustable armrests and five durable castors for easy transport.

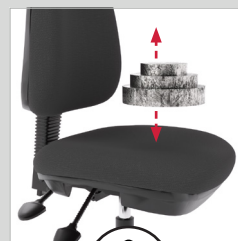
Key Features



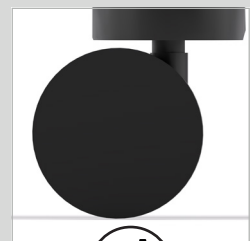
A. Premium quality materials results in an 8hr comfort rating.



B. 3 Lever Mechanism
Three way adjustment allows independent adjustment of seat height, seat angle and back angle for optimal ergonomic setup.



C. Strong & Durable
High strength components produce a 160kg weight rating.



D. 50mm Castors
Large heavy duty 50mm castors for durability and ease of movement.

Evo Chair.

In Detail



Seat Angle Adjustment

Extra adjustment of the seat angle for even greater comfort.



Gas lift Springs

Premium quality gas lift springs for guaranteed performance.



Lumbar Support

Molded high-density foam backrest with pronounced lumbar support.



Safety Lock

Adjustable backrest has locking function for added safety.



Strong and Durable

Reinforced nylon/fibreglass 5 star base is extra strong.

Backrest

Molded high-density foam backrest with pronounced lumbar support.

Safety Lock

Adjustable backrest has locking function for added safety.

Comfort

Premium quality materials results in an 8hr comfort rating.

Armrests

Height adjustable armrests.

Seat Angle Adjustment
for even greater comfort

Frames

High strength components produce a 160kg weight rating.

Gas Lift Springs

Premium quality gas lift springs for guaranteed performance.

Heavy Duty Castors

50mm castors for ease of movement at a conference or training session.



* Refer to page 5 for Ratings & Certifications details.

Evo Chair.

Optional Upgrades



Evo Chair No Arms



Evo Chair with Arms

Seat Cover Colour Options

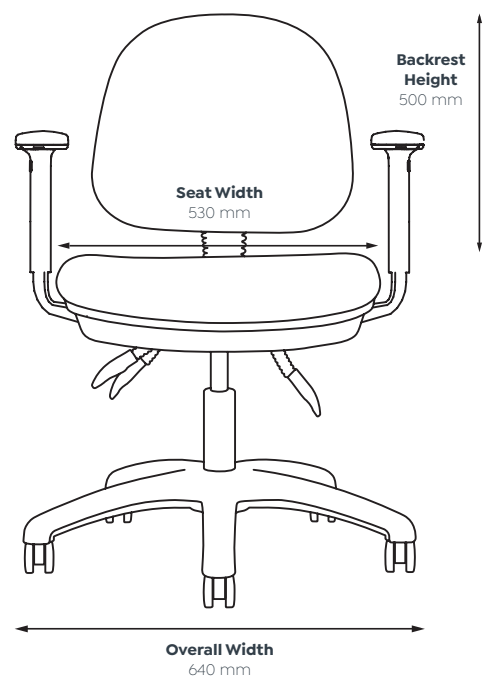
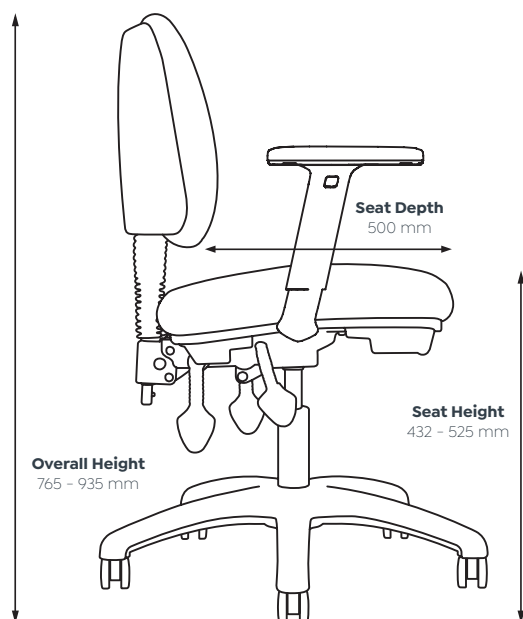


Black PU



Breathe
Black

Dimension Specifications



OLG's Ratings & Certifications.



10 Year Warranty

OLG Warranty promises the original purchaser that it will repair or replace with comparable product, at its option and free of charge (for material and components), any product, part or component which fails under normal use over the duration of the specified warranty term (taken from the date of purchase). Normal commercial usage is defined as the equivalent of a single shift, 40 hour work-week.



Weight Rating

All seating products have an OLG endorsed 120kg minimum weight rating. All OLG seating products are designed with reference to relevant international standards, including ANSI/BIFMA and AS/NZS. These standards stipulate strength & durability requirements and give the user confidence about the product's longevity. OLG's ISO certified factories use propriety test rigs to issue OLG's own weight ratings for chairs.



ISO 14001

ISO 14001 Certification is the international standard that specifies requirements for an effective Environmental Management System (EMS). It provides a framework that OLG as an organization can follow. At OLG we are using this framework as an approach to continuous improvement across all environmental aspects of our business.



ISO 9001

ISO 9001 Certification is the world's most widely recognized Quality Management System (QMS). At OLG its our guiding principle to meet the expectations and needs of our customers through quality management systems that continually monitor and manage quality across all operations to deliver consistent performance and service.



AS/NZS 4801

AS/NZS 4801 is the benchmark to assess Occupational Health & Safety Management systems for organisations. This standard contains vital information about meeting legal requirements and invaluable guidance on how to establish sustained improvement in health and safety performance in your business.



GECA Certification

GECA (The Good Environmental Choice Australia) Ecolabelling Program, operates a national third-party, independently verified ecolabel, in conformance with Environmental labels and declarations (ISO 14024), that can be applied to a wide range of products and services. This certification gives you an independent, reliable and convenient way to select OLG products and services that are certified by GECA to deliver better environmental outcomes. Anvil and Axis (available to GECA specification by special request). EkoSystem approved as EKO Brand.



AFRIDI Certification

AFRDI Certification is a set of standards covering strength, durability, stability and safety (and ergonomics in the case of desks and workstations). This means that OLG are accountable for maintaining the quality of our products, submitting them for regular auditing to ensure they meet the highest standards for commercial use. Applies to: Urban Mesh (Level 6 – Severe Commercial), Modulus Flip Table (Level 3 – Severe Commercial, tested with 1500 x 750 top and Agile+ Single Sided Dual Motor Electric Desk).



BIFMA Certification

BIFMA Certification focuses on safety and performance standards developed by the BIFMA Engineering Committee. The standards provide manufacturers, specifiers, and users with a common basis for evaluating safety, durability, and the structural adequacy of the specified furniture, independent of construction materials. The standards define specific tests, laboratory equipment to be used, the conditions of test, and the minimum acceptance levels to be used in evaluating these products. Applies to: Balance Executive, Balance Task, Optic Chair, Adapta Chair, Game Chair 4 leg, Game Chair 4 leg with seat and back pads, Game Sled, Game Sled with seat and back pads, Agile+, Agile Electric 2-Column single motor, Motion Sync



Australian Trusted Trader

Australian Trusted Trader Certification is a standard that rewards companies showing compliant behaviour, secure supply chain with strong security practices, to enjoy a wide range of trade facilitation benefits. OLG have held this status since 2017.



FSC

FSC is the leading catalyst and defining force for improved forest management and market transformation, shifting the global forest trend toward sustainable use, conservation, restoration, and respect for all. Applies to: Plantation timber legs



GREENGUARD Certification

A GREENGUARD Certification ensures that a product has met some of the world's most rigorous and comprehensive standards for low emissions of volatile organic compounds (VOCs) into indoor air. GREENGUARD Gold Certification offers certification criteria that considers safety factors to account for sensitive individuals (such as children and the elderly), and ensures that a product is acceptable for use in environments such as schools and healthcare facilities.

Evo Chair.

Cheat Sheet Quick Guide

Standard Features

3 lever ergonomic mechanism.

Molded high-density foam backrest with pronounced lumbar support.

More support Luxe seat's 70mm high density structure provides ultra comfort and support for those intense days in the office.

More space Luxe seat's increased width and depth (530w x 500d mm) brings a new dimension to the Evo task chair.

Premium quality gas springs. We guarantee them for life.

Reinforced nylon/fibreglass star bases are extra strong and tested to 1130kg.

Heavy duty 50mm wheel castors make it easy to move.

Adjustable arms available - upgrade.

Premium quality materials results in an 8hr comfort rating.

Optional Upgrades

Adjustable Arms

Dimensions

Seat Height 432 - 525 mm

Seat Width 530 mm

Seat Depth 500 mm

Backrest Height 500 mm

Overall Height 765 - 925 mm

Overall Width 640 mm

Upgrade Options



Evo Chair No Arms



Evo Chair with Arms

Colour Options



Black PU



Breathe
Black





How can we be of help?
02 8188 2732

info@olgoffice.com

myolg.online
olgoffice.com
officedesigner.net
motionoffice.com
officefitoutcalculator.com.au
myolgpricelist.online
acoustiq.com.au

Innovative Thinking • Responsive Support • Open Communication