

Logic Chair.

Product **Specifications**



Innovative Thinking • Responsive Support • Open Communication

myolg.online

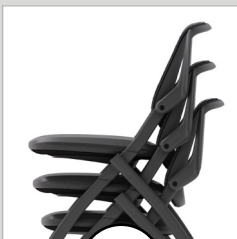
Logic Chair.

Finally, a great looking conference & training chair that is robust, comfortable and offers a wide variety of practical features.

The Logic training chair is ideal for training rooms, conferences, education facilities and healthcare centres.

With a reclining, breathable mesh backrest and 60mm heavy-duty castors, the Logic chair can be upgraded to feature flip up arms and an A4 fold-away table for your tablet to assist with note taking, this is a perfect choice for learning applications. And did you notice it nests and stacks to save space? That makes it an ideal choice for any high grade, mass seating situations from education to conferences to waiting areas.

Key Features



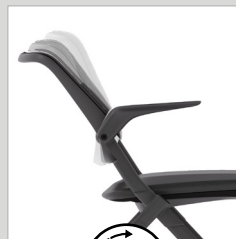
A. Stackable

Stackable to 4 high as standard or 10 high on special indent order with additional mounts.



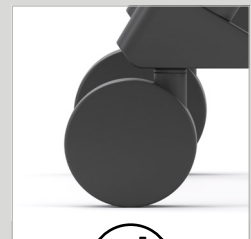
B. Arm Upgrade

Upgrade to a Logic chair with flip up arms so it still allows chair to nest as well as stack - that's unique!



C. Built in Recline

Backrest has a built in recline function for comfort especially with long sitting times.



D. Large Castors

Large 60mm castors for ease of movement at a conference or training session.

Logic Chair.

In Detail



High Performance Fabric
Seat fabric in Black "Breathe" fabric with 40,000 martindale rubtest certification.



Eco - Friendly Material
Black eco-friendly powdercoated frames.



High Comfort Rating
Molded backrest and seat for maximum comfort.



Strong and Durable
High strength tablet swivel mechanism and frame.



Seat Flip Function
Seat flips vertically to allow nesting for 75% space saving when not in use.

Backrest

Back reclines 15° to give long sitting comfort.

Mesh Fabric

High performance, breathable mesh encourages airflow for superior comfort in the longest meetings!

A4 Tablet

Tablet arm kit for writing surface or computer tablet.

Armrests

With ability to flip vertically and fold away if required.

High Strength
Tablet swivel mechanism.

Moulded Foam Seat

For maximum durability and comfort.

Space Saver
Chair can be 'nested' or 'stacked' to save up to 75% of space. NOTE: Seat needs to flip vertically to be nested.

Frames

Black eco-friendly powdercoated frames.

Large 60mm Castors

For ease of movement at a conference or training session.



* Refer to page 5 for Ratings & Certifications details.

Logic Chair.

Optional Upgrades



Logic Chair No Arms

Upgraded Logic chair with Arms only

Upgraded Logic chair with Tablet only

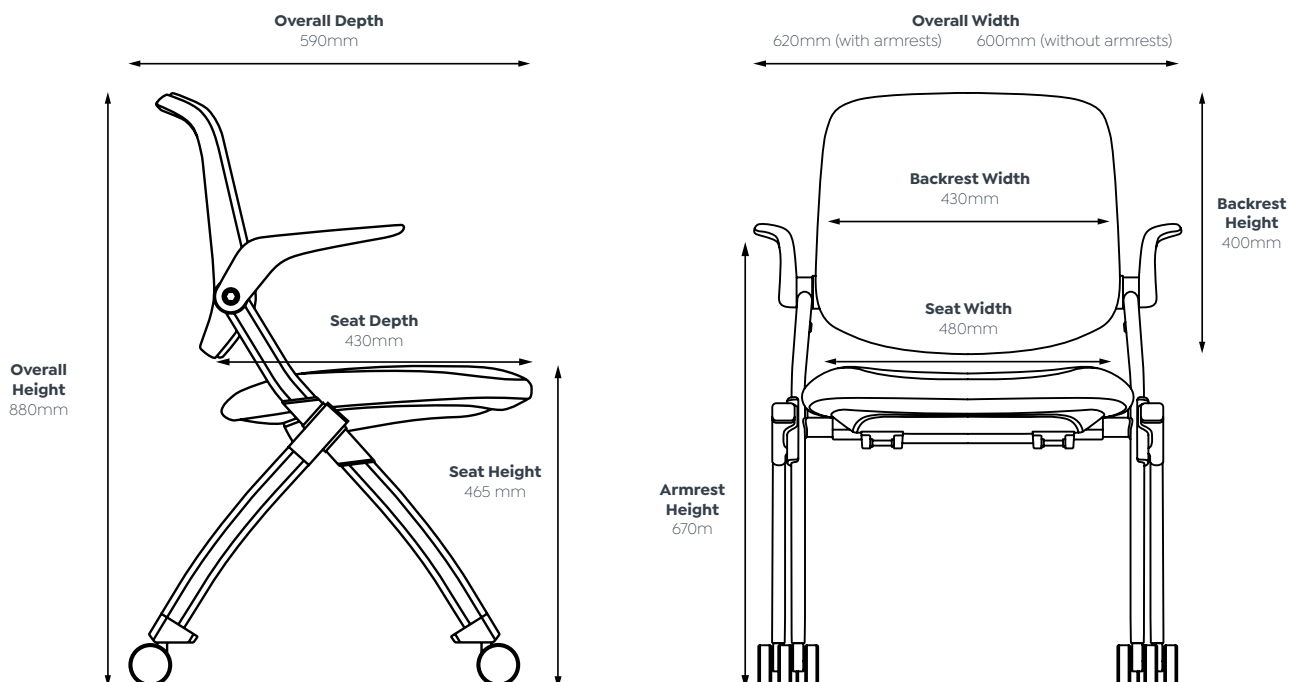
Upgraded Logic chair with Arms and Tablet

Colour



Black

Dimension Specifications



OLG's Ratings & Certifications.



10 Year Warranty

OLG Warranty promises the original purchaser that it will repair or replace with comparable product, at its option and free of charge (for material and components), any product, part or component which fails under normal use over the duration of the specified warranty term (taken from the date of purchase). Normal commercial usage is defined as the equivalent of a single shift, 40 hour work-week.



Weight Rating

All seating products have an OLG endorsed 120kg minimum weight rating. All OLG seating products are designed with reference to relevant international standards, including ANSI/BIFMA and AS/NZS. These standards stipulate strength & durability requirements and give the user confidence about the product's longevity. OLG's ISO certified factories use propriety test rigs to issue OLG's own weight ratings for chairs.



ISO 14001

ISO 14001 Certification is the international standard that specifies requirements for an effective Environmental Management System (EMS). It provides a framework that OLG as an organization can follow. At OLG we are using this framework as an approach to continuous improvement across all environmental aspects of our business.



ISO 9001

ISO 9001 Certification is the world's most widely recognized Quality Management System (QMS). At OLG its our guiding principle to meet the expectations and needs of our customers through quality management systems that continually monitor and manage quality across all operations to deliver consistent performance and service.



AS/NZS 4801

AS/NZS 4801 is the benchmark to assess Occupational Health & Safety Management systems for organisations. This standard contains vital information about meeting legal requirements and invaluable guidance on how to establish sustained improvement in health and safety performance in your business.



GECA Certification

GECA (The Good Environmental Choice Australia) Ecolabelling Program, operates a national third-party, independently verified ecolabel, in conformance with Environmental labels and declarations (ISO 14024), that can be applied to a wide range of products and services. This certification gives you an independent, reliable and convenient way to select OLG products and services that are certified by GECA to deliver better environmental outcomes. Anvil and Axis (available to GECA specification by special request). EkoSystem approved as EKO Brand.



AFRIDI Certification

AFRDI Certification is a set of standards covering strength, durability, stability and safety (and ergonomics in the case of desks and workstations). This means that OLG are accountable for maintaining the quality of our products, submitting them for regular auditing to ensure they meet the highest standards for commercial use. Applies to: Urban Mesh (Level 6 – Severe Commercial), Modulus Flip Table (Level 3 – Severe Commercial, tested with 1500 x 750 top and Agile+ Single Sided Dual Motor Electric Desk).



BIFMA Certification

BIFMA Certification focuses on safety and performance standards developed by the BIFMA Engineering Committee. The standards provide manufacturers, specifiers, and users with a common basis for evaluating safety, durability, and the structural adequacy of the specified furniture, independent of construction materials. The standards define specific tests, laboratory equipment to be used, the conditions of test, and the minimum acceptance levels to be used in evaluating these products. Applies to: Balance Executive, Balance Task, Optic Chair, Adapta Chair, Game Chair 4 leg, Game Chair 4 leg with seat and back pads, Game Sled, Game Sled with seat and back pads, Agile+, Agile Electric 2-Column single motor, Motion Sync and Logic.



Australian Trusted Trader

Australian Trusted Trader Certification is a standard that rewards companies showing compliant behaviour, secure supply chain with strong security practices, to enjoy a wide range of trade facilitation benefits. OLG have held this status since 2017.



FSC

FSC is the leading catalyst and defining force for improved forest management and market transformation, shifting the global forest trend toward sustainable use, conservation, restoration, and respect for all. Applies to: Plantation timber legs



GREENGUARD Certification

A GREENGUARD Certification ensures that a product has met some of the world's most rigorous and comprehensive standards for low emissions of volatile organic compounds (VOCs) into indoor air. GREENGUARD Gold Certification offers certification criteria that considers safety factors to account for sensitive individuals (such as children and the elderly), and ensures that a product is acceptable for use in environments such as schools and healthcare facilities.

Logic Chair.

Cheat Sheet Quick Guide

Standard Features

Versatile nestable and stackable chair in one

Ideal for training rooms, conferences, classrooms, and healthcare

Backrest has built in recline function for comfort especially for long sitting times

Flip seat allows “nesting of chairs” giving space saving of 75%

Stackable to 4 high as standard or 10 high on special indent order with additional mounts

High density protective lugs on legs keep chair frames in top condition whilst stacked

Large 60mm castors for ease of movement at a conference or training session

Backrest in high performance, breathable mesh fabric for ultimate comfort when seated for long periods

Seat fabric in Black “breathe” fabric with 40,000 martindale rubtest certification

Upgrade Options

Upgrade to a Logic chair with armrests for even greater comfort in longer sitting sessions - armrests also provide support and assistance for the chair and are able to flip out of the way when not in use

Upgrade to a Logic chair with a A4 tablet table for use with tablets, laptops, or as a writing surface - the A4 tablet arm is also foldable to allow easy nesting, and free movement when not in use

For the ultimate conference & training chair experience, upgrade to the Logic chair with armrests and the A4 tablet table

Dimensions

Logic Chair

Seat Height 465 mm

Seat Width 480 mm

Seat Depth 430 mm

Backrest Width 430mm

Backrest Height 400mm

Armrest Height 670mm

Overall Height 880 mm

Overall Depth 590 mm

Overall Width 620 mm (with armrests)

Overall Width 600 mm (without armrests)

A4 Tablet Table

Length 330 mm

Depth 240 mm

Thickness 8 mm

Colour



Black







How can we be of help?

02 8188 2732

info@olgoffice.com

myolg.online

olgoffice.com

officedesigner.net

motionoffice.com

officefitoutcalculator.com.au

myolgpricelist.online

acoustiq.com.au