

OLG

Vista Seating Range.

Product **Specifications**



Vista Seating Range.

Elevate Your Space with the Vista Seating Range.

Discover the versatile Vista seating range, available either fully upholstered or with a comfortable but robust single-moulded polypropylene shell.

Choose from four distinct models – Swivel, Glide, Pivot, and Rise – to perfectly equip your meeting rooms, breakout areas, and conference spaces. The stackable Vista Glide is ideal for maximizing space efficiency, accommodating up to 15 chairs high or 10 on a link trolley. The Swivel and Pivot models feature a contoured seat and backrest in your choice of upholstery colour. The Pivot has four fixed legs, while the Swivel boasts a sturdy nylon 5-star base with 60mm castors, ensuring mobility and stability. Both models have a 140kg weight rating for lasting durability.

With a 10-year warranty, the Vista range offers peace of mind and long-term value. Experience the perfect blend of comfort, durability, and modern design with Vista Change.

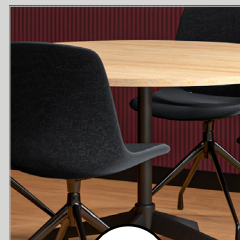
Key Features



A. Moulded Seat & Back
Single moulded polypropylene shell is comfortable, robust, easy to clean and is available in multiple colours.



B. Fast Assembly
Includes required tool 'bits' and configured to make assembly time even faster.



C. Seat Upholstery
Available as either fully upholstered or just the base (Glide & Rise) with moulded foam for the ultimate comfort.



D. Strong & Durable
Constructed from strong, rigid, steel frame provides 140kg weight rating that is very light and easy to carry.

Vista Seating Range.

In Detail



Space Saving

Vista Glide can be stacked up to 15 high, or 10 high on a trolley for easier management in mass seating applications.



Warranty

10 year warranty is the best in it's class giving you peace of mind for years to come.



Versatile Designs

The Vista range is perfect to use throughout the office from meeting rooms to breakout and conference areas.



Integrated Foot Links

Vista Glide chair feet double as connectors – perfect for joining together in large venues.



Heavy-Duty Castors

Vista Swivel has 60mm heavy-duty swivel castors for greater mobility around the office.

Quick Assembly
5 minute assembly time with minimal tools required.

Moulded Comfort

Contoured seat & backrest for added comfort is made from moulded polypropylene in multiple colours to choose from.

Solid Construction

Strong rigid, steel frame that is very light to carry.

Ergonomic Armrests

Vista Swivel comes with additional padded armrests for additional comfort.

10 Year Warranty

Swivel Function

360 degree swivel range so you can easily turn your life around. (Swivel & Pivot only)

Upholstered Comfort

Available as either fully upholstered or just the base (Glide & Rise) with moulded foam for the ultimate comfort.

Sturdy Base

Nylon 5 star base ensures 140kg weight rating for long term durability with frequent use. (Swivel only)

Heavy-Duty Castors

60mm heavy-duty nylon swivel castors for smooth motion around the office. (Swivel only)

Feet Connectors
link chairs together for more structured seating occasions. (Glide only)

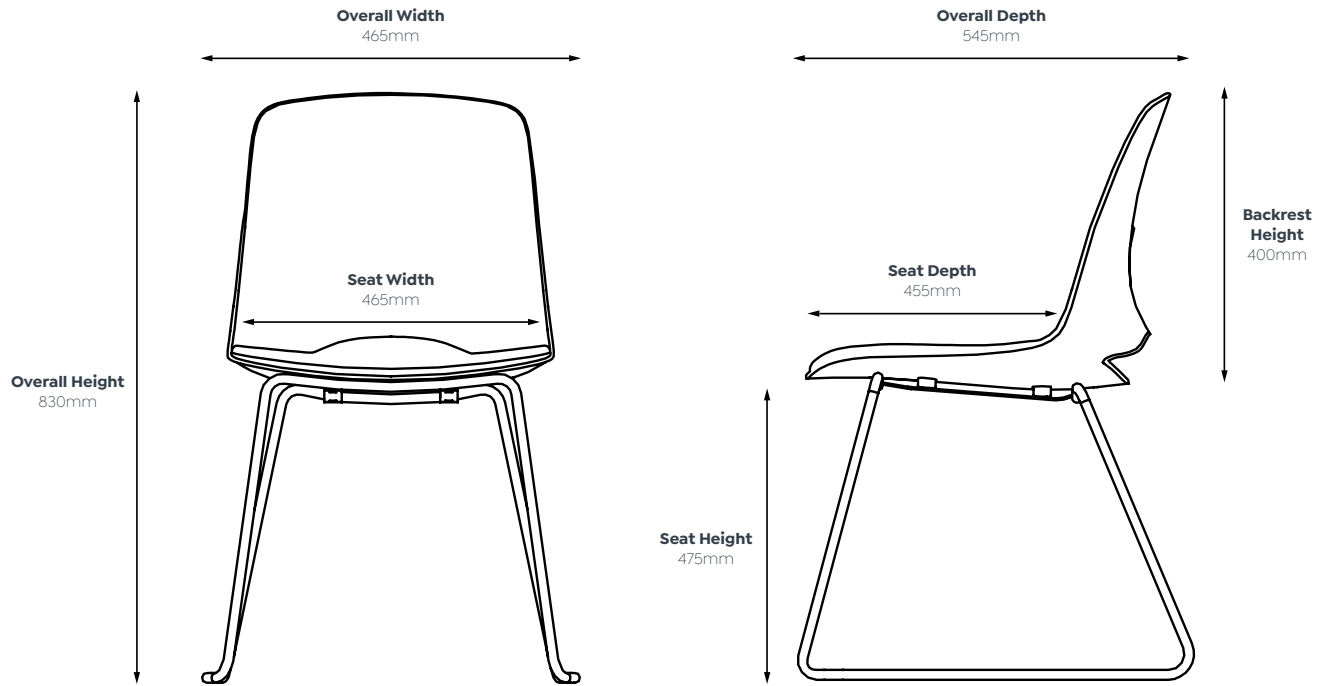


* Refer to page 7 for Ratings & Certifications details.

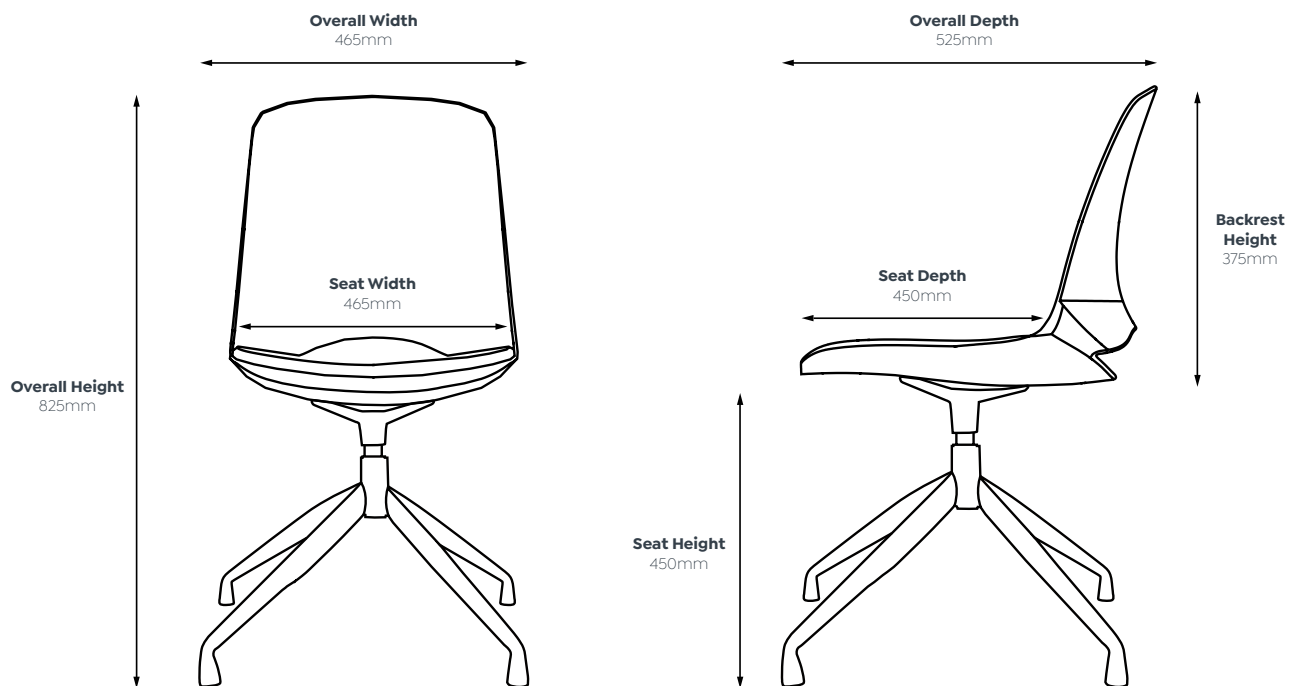
Vista Seating Range.

Dimension Specifications

Vista Glide



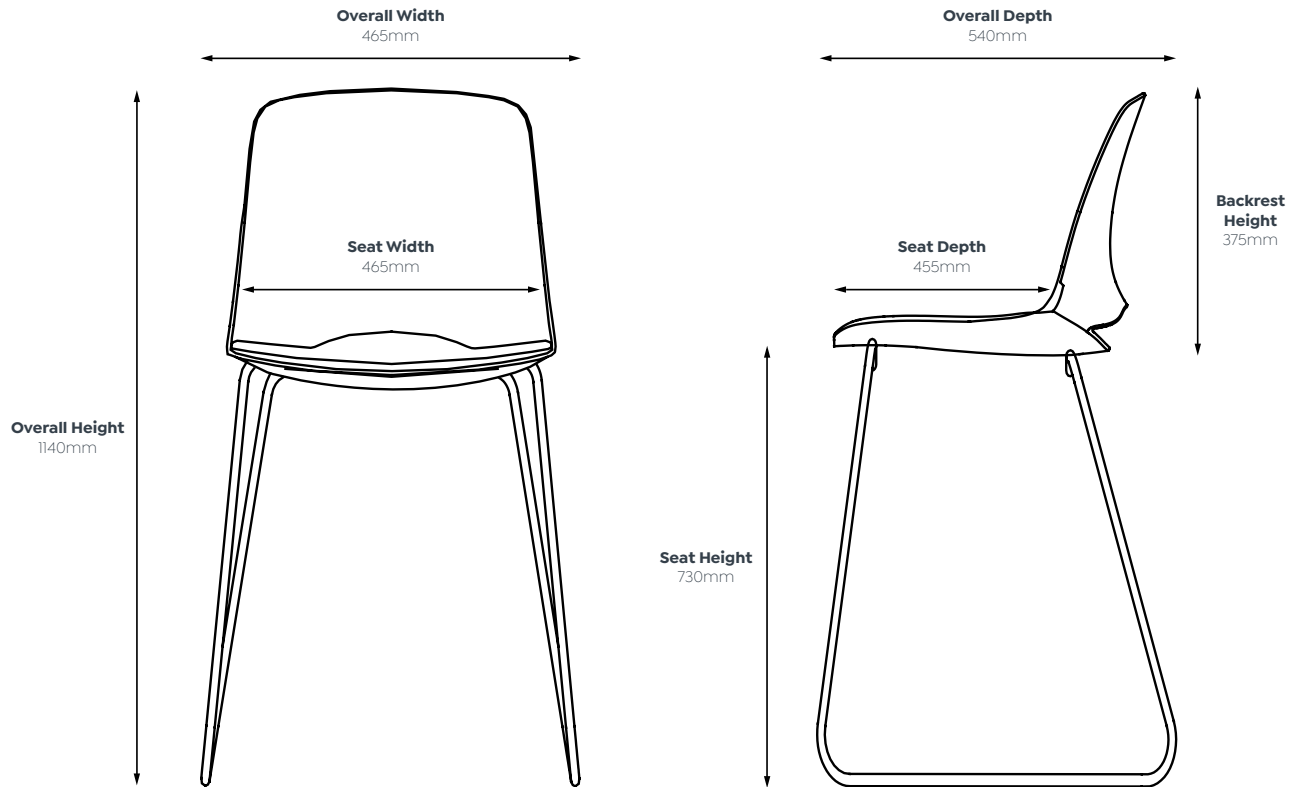
Vista Pivot



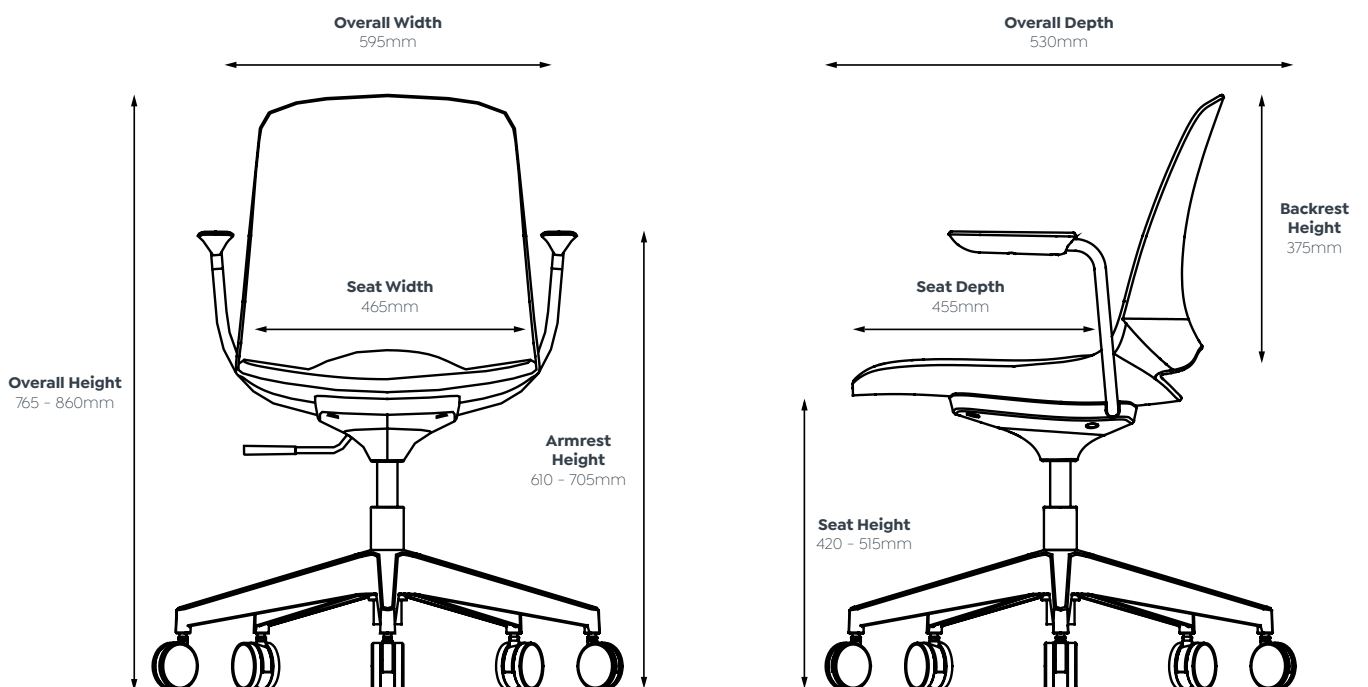
Vista Seating Range.

Dimension Specifications

Vista Rise



Vista Swivel



Vista Seating Range.

Cheat Sheet Quick Guide

Standard Features

Single moulded polypropylene shell is comfortable, robust, easy to clean and is available in a multiple choice of colours

Fast assembly time

Available as either fully upholstered or just the base (Glide & Rise) with moulded foam for the ultimate comfort.

Frame constructed from rigid, steel that is very durable, light and easy to carry

140kg weight rating

10 year warranty

The Vista range is perfect to use throughout the office from meeting and visitor rooms to breakout or conference and training areas

Vista Swivel models have 60mm heavy-duty swivel castors for greater mobility around the office

Vista Glide model comes standard with chair feet that double as intergrated connectors

Vista Glide models can also be stacked up to 15 high, or 10 high on a trolley for easier management in mass seating environments

Vista Range



Black Vista Swivel with Upholstered Seat, Nylon 5 Star Base, Castors & Padded Arms



Moss Vista Glide with Sled Base & Connector Feet



Rust Vista Pivot with Upgraded Upholstered Seat & 4 Point Swivel Base



Sky Vista Rise with Upgraded Upholstered Seat & 16mm Steel Frame

Shell Colour Options

Glide / Rise / Swivel



Black Sky Moss Rust White

Pivot



Black Rust White

Upholstered Colour Options

Glide / Rise / Swivel/ Pivot



Charcoal Silver Kellygreen Rust Niagara



Vista moss Glide, black Pivot and rust Rise seating with Flare meeting tables and Bar Leaner.



How can we be of help?

02 8188 2732

info@olgooffice.com

myolg.online
olgooffice.com