



# Agile Flip Table.

The Agile Flip table, part of the Agile family, is designed for tables up to 1200mm wide. It features a one-handed flip mechanism, upright safety locks, and a sturdy steel frame with four rail lengths. With lockable castors, it's easily reconfigurable and quickly stored.

## Features

Melamine - 25 mm E1 grade substrate finished in studio white or new oak with matching 2 mm PVC edge

Swiveling castors (2 x lockable)

Strong flip mechanism has safety stay upright locks

4 rail length options

Table height 720mm (Including worktop)

Includes optional / movable worktop supports



Agile Flip Table Sizes

## Colour Options

### Stocked Options



Arctic White



New Oak Matte



New Oak Ravine



Nordic Maple

### Requested Options



Classic Natural



Sublime Teak



Natural Walnut

### Frame



Black

## Available Dimensions

Ø 1200 mm	1600 x 600 mm	1800 x 1200 mm
1200 x 600 mm	1600 x 750 mm	2100 x 900 mm
1200 x 750 mm	1800 x 600 mm	2400 x 1200 mm
1500 x 600 mm	1800 x 750 mm	
1500 x 750 mm	1800 x 900 mm	



# Agile Flip Table.

## Additional Frame Details

### Rail Length

ASCFLIP050 - 500 mm

ASCFLIP080 - 800 mm

ASCFLIP110 - 1100 mm

ASCFLIP140 - 1400 mm

### Frames Available in

1000 - 1300 mm x 600 - 900 mm

1300 - 1600 mm x 600 - 900 mm

1600 - 1900 mm x 600 - 900 mm

1900 - 2400 mm x 600 - 900 mm

1000 - 1300 mm x 800 - 1200 mm

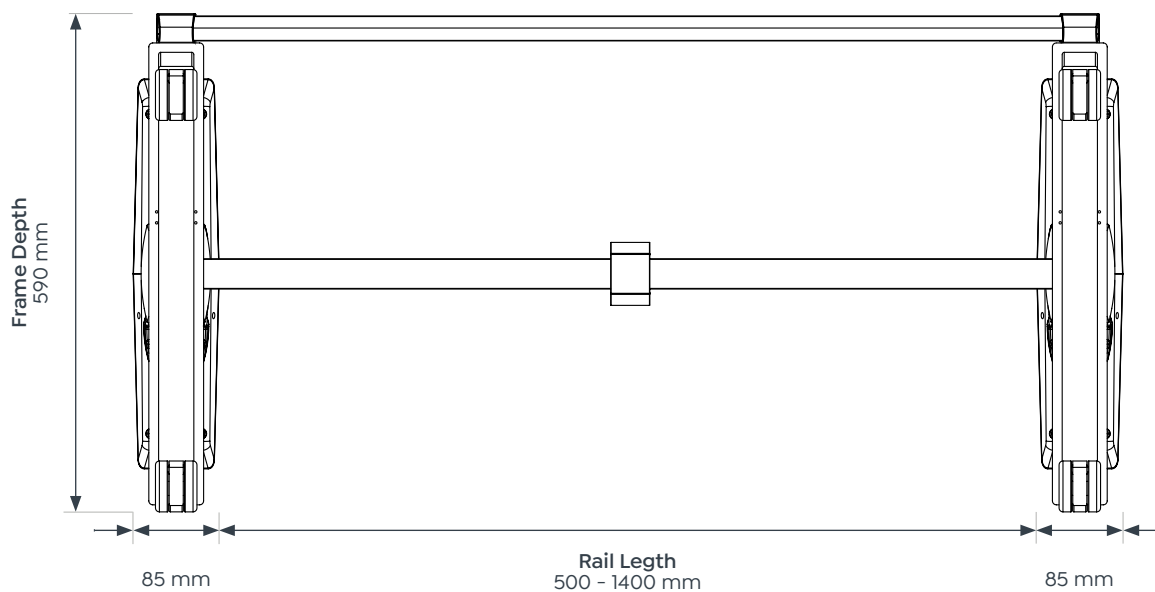
1300 - 1600 mm x 800 - 1200 mm

1600 - 1900 mm x 800 - 1200 mm

1900 - 2400 mm x 800 - 1200 mm



### Agile Flip Line Drawing (Frame Only)



# Agile Flip Table.

## Dimensions

### Agile Flip Table

