



# AgileMotion+ Electric Desk.



AgileMotion+ Electric Desk is a fully optioned electric height programmable desking system, designed for modern, premium office spaces. The system also integrates seamlessly with the single workstations and back to back desks, and can be further enhanced with fabric privacy panels, floor mounted Studio50 or AcoustiQ screens, monitor arms and personal storage units.

## Features

Electric Double motor height range 635- 1295 mm. Adjustment speed 30 mm/s

Concealed motors in each leg and only 40db whilst in operation

Frames finished in white or black powdercoat

Commercial grade 25mm melamine worktop constructed with zero formaldehyde

Fast to assemble: Rails come pre-fitted to the legs where possible.

160 kg weight rating (evenly distributed)

4 point memory control with LCD readout, programmable to restrict min/max height and to set anti-collision sensitivity



AgileMotion+ Electric Single Sided Desk



AgileMotion+ Electric Double Sided Desk



AgileMotion+ Electric 90° Single Sided Workspace



AgileMotion+ Electric 120° Single Sided Workspace

### Single Sided Desk

1200 x 750 mm	1600 x 800 mm
1500 x 750 mm	1800 x 750 mm
1500 x 800 mm	1800 x 800 mm
1600 x 750 mm	

### Double Sided Desk

2 x 1200 x 600 mm	2 x 1500 x 800 mm	2 x 1800 x 600 mm
2 x 1200 x 750 mm	2 x 1600 x 600 mm	2 x 1800 x 750 mm
2 x 1500 x 600 mm	2 x 1600 x 750 mm	2 x 1800 x 800 mm
2 x 1500 x 750 mm	2 x 1600 x 800 mm	

### Single 90°

1800 x 1800 X 600 mm
1800 x 1800 X 750 mm

### Single 120°

1200 x 1200 X 600 mm
1200 x 1200 X 750 mm



# AgileMotion+ Electric Desk Range.

## Optional Upgrades

50mm Studio screens

50mm Studio screens with integrated cable duct

10, 20 & 30mm AcoustiQ screens

Cable trays - system includes desk to desk bridges, power/ data mounting points (inside the tray or on the vertical face) and cable snakes to the desktop



Single Motor Desk with integrated cable duct and Hung AcoustiQ Blue Screen



Double Motor Desk with integrated cable duct and Hung Spice Lagoon Screen

## Finishing Selection

### Stocked Options



Arctic White New Oak Matte New Oak Ravine Nordic Maple

### Requested Options



Classic Natural Sublime Teak Natural Walnut

### Frame Options



Black White

## Studio50

Screens are Australian made



## AcoustiQ

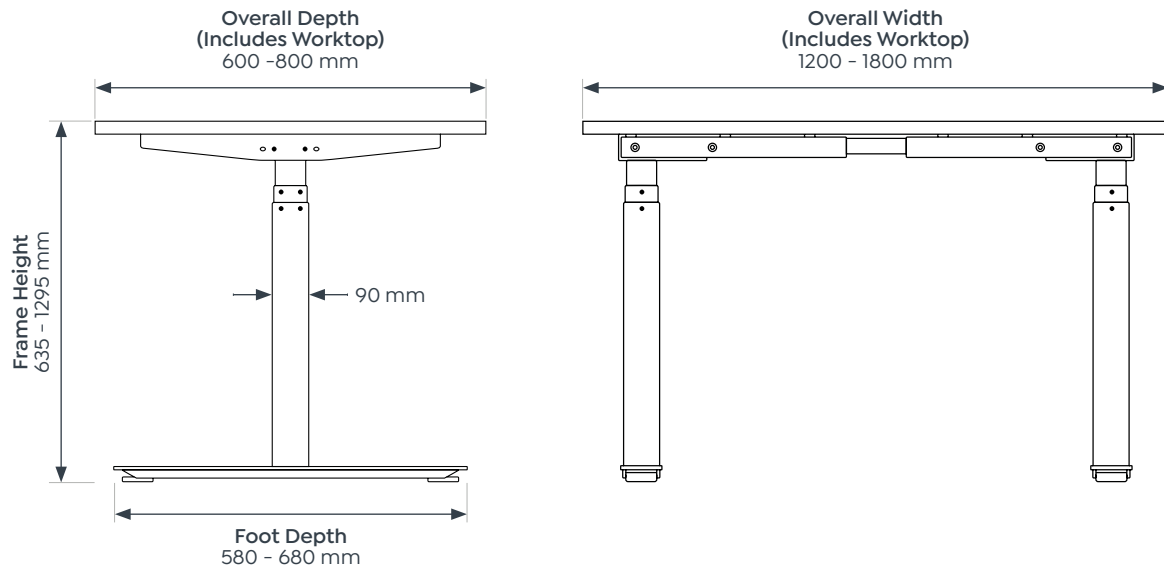
### Screen Colour Options



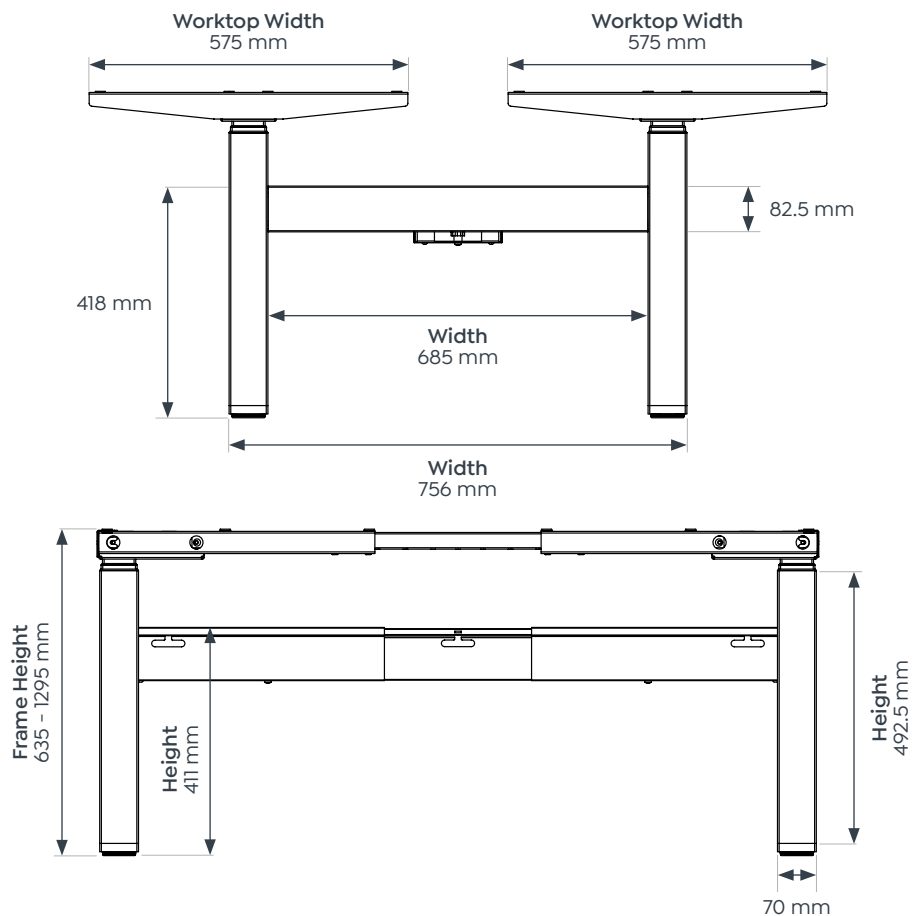
# AgileMotion+ Electric Desk Range.

## Dimensions

### AgileMotion+ Electric Single Sided Desk



### AgileMotion+ Electric Double Sided Desk



## Dimensions

### AgileMotion+ Electric 90° - 120° Desk

