



Zipp Chair.

The Zipp Chair offers practicality and comfort with its fan-shaped backrest, Breathe upholstery, and contoured seat. Built on a durable, powder-coated frame, it supports up to 160kgs. Easy to assemble in 5 minutes and stackable up to 9 high, it's perfect for any modern office.

Features

Distinctive, fan shaped back shaped to provide ergonomic comfort.

40mm thick foam

Black powdercoat frame protects from corrosion, rust, and UV, and is easy to clean.

Assembles in 5 minutes with minimal tools.

Upgrade with armrests for additional comfort in longer meetings.

Backrest and seat are upholstered in padded Breathe fabric for extra comfort.

Stocked Colours



Black Slate Grey Steel Blue Ruby Red

Colour Options

Upholstered colour options available upon request



Plum Ruby Red Tomato Red Burnt Orange Bright Orange



Fern Green Lime Royal Blue Sky Blue Baby Blue



Navy Blue Steel Blue Black Slate Grey Alloy



Camel



Zipp No Arms



Zipp With Arms

Zipp No Arms

Seat H	465 mm
Seat W	450 mm
Seat D	445 mm
Overall H	825 mm
Overall W	450 mm
Overall D	575 mm
Backrest W	425 mm
Backrest H	360 mm

Zipp With Arms

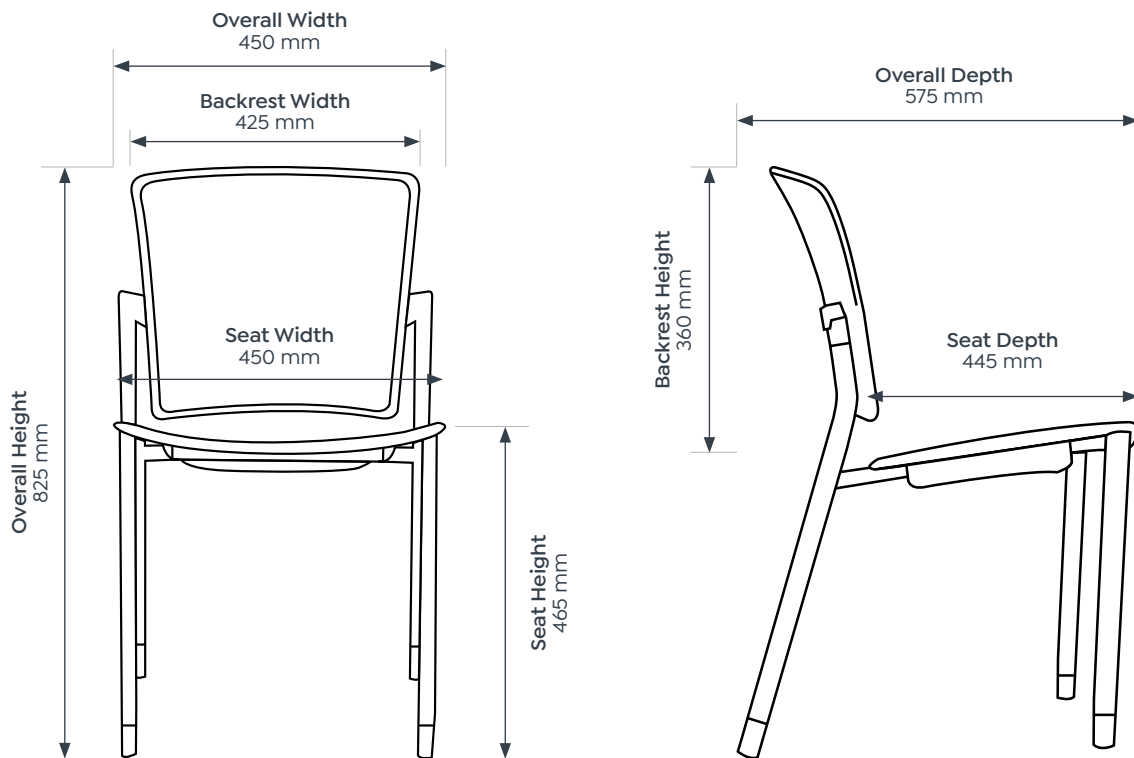
Seat H	465 mm
Seat W	450 mm
Seat D	440 mm
Overall H	825 mm
Overall W	450 mm
Overall D	575 mm
Backrest W	425 mm
Backrest H	360 mm
Armrest H	665 mm



Zipp Chair.

Dimensions

Zipp No Arms



Zipp With Arms

