



# Anvil Desking Range.

From the distinctly triangular frame profile to the 25mm E1 grade melamine worktop, the Anvil is just as much a statement piece as it is a functional piece of office furniture. Strong, stable and versatile; each Anvil desk also features a fixed height of 715mm, cable port with cover and a 30mm height adjustment in each foot.

As a modular, multi-configuration desk, the Anvil is available in a virtually unlimited number of arrangements from straight, double sided and pod configurations to complex, hybrid setups. With countless design options, the only limit to the Anvil's functionality is your imagination



Anvil Single Sided Desk



Anvil Double Sided Desk



Anvil 90° Single User Workspace

## Features

Fixed Height 730 mm (including worktop)

Min/Max worktop width 1200mm - 2400mm

Min/Max worktop depth 600mm - 900mm

Steel Frame Thickness 2mm

50mm x 50mm (Rectangular) Leg Profile

1 Leg Column

Foot Profile 15mm height adjustment in each foot

### Single Workspace

|               |               |
|---------------|---------------|
| 1500 x 750 mm | 1800 x 750 mm |
| 1600 x 600 mm | 1800 x 900 mm |
| 1600 x 750 mm | 2100 x 900 mm |
| 1800 x 600 mm |               |

### 90° Single User Desk

|                             |
|-----------------------------|
| 2 x 1800 x 1800 mm x 600 mm |
| 2 x 1800 x 1800 mm x 750 mm |

### 120° Single User Desk

|                      |                      |
|----------------------|----------------------|
| 1800 x 1800 X 750 mm | 1800 x 1800 X 600 mm |
|                      | 1800 x 1800 X 750 mm |



# Anvil Desking Range.

## Optional Upgrades

50mm Studio screens

50mm Studio screens with integrated cable duct

10, 20 & 30mm AcoustiQ screens

Cable trays - system includes desk to desk bridges, power/ data mounting points (inside the tray or on the vertical face) and cable snakes to the desktop



4 User Workspace with integrated cable duct with Breathe Slate Grey Screen Dividers

## Finishing Selection

### Stocked Options



Arctic White    New Oak Matte    New Oak Ravine    Nordic Maple

### Requested Options



Classic Natural    Sublime Teak    Natural Walnut

### Frame Options



Black    White

## Studio50

Screens are Australian made



## AcoustiQ

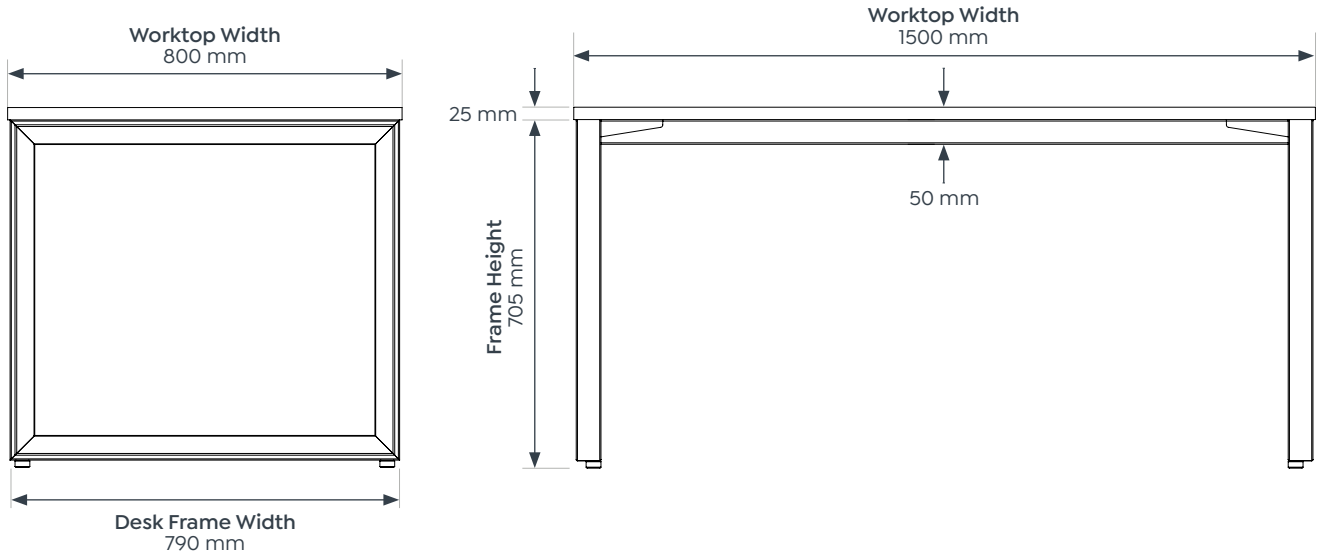
### Screen Colour Options



# Anvil Desking Range.

## Dimensions

### Anvil Single Sided Desking



### Anvil Double Sided Desking

