



Venice Range.

When you value style as much as comfort, the Venice chair is perfect. Ideal for reception and breakout areas, it offers two models: a fixed timber leg or a swiveling steel leg with optional castors for easy movement. The polypropylene shell can be upholstered in your choice of local fabrics, and both models have an armrest option for added comfort. For a touch of class, the Venice chair is the soft and stylish choice.



Features

Versatile base options provide flexibility for various settings, ensuring easy maneuverability or a stable, stylish look.

Customisable upholstery allows for personalized style and comfort, matching any decor or brand aesthetic.

Black plastic outer shell provides a strong and secure structure. The Venice is backed by our 10 year warranty.

Stock Fabric



Dust SD-27



Venice QM
Fully Upholstered
& Oak Base



Venice YM - Inner
Shell Upholstered
& Oak Base



Venice YD - Inner
Shell Upholstered
& 4 Point Fixed
Base



Venice YK - Inner
Shell Upholstered
& 4 Point Castor
Base

Venice QM

Seat H	420 mm
Seat W	525 mm
Seat D	520 mm
Overall H	760 mm
Overall W	525 mm
Overall D	520 mm

Venice YD

Seat H	420 mm
Seat W	660 mm
Seat D	660 mm
Overall H	790 mm
Overall W	660 mm
Overall D	660 mm

Venice YM

Seat H	420 mm
Seat W	555 mm
Seat D	532 mm
Overall H	765 mm
Overall W	555 mm
Overall D	532 mm

Venice YK

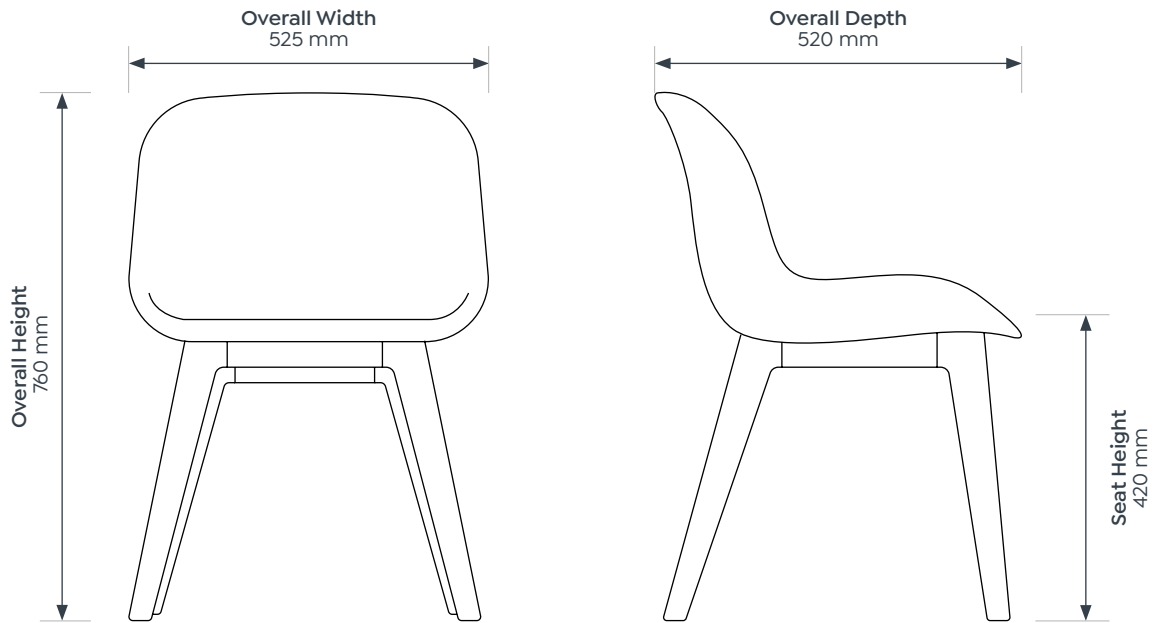
Seat H	420 mm
Seat W	660 mm
Seat D	660 mm
Overall H	790 mm
Overall W	660 mm
Overall D	660 mm



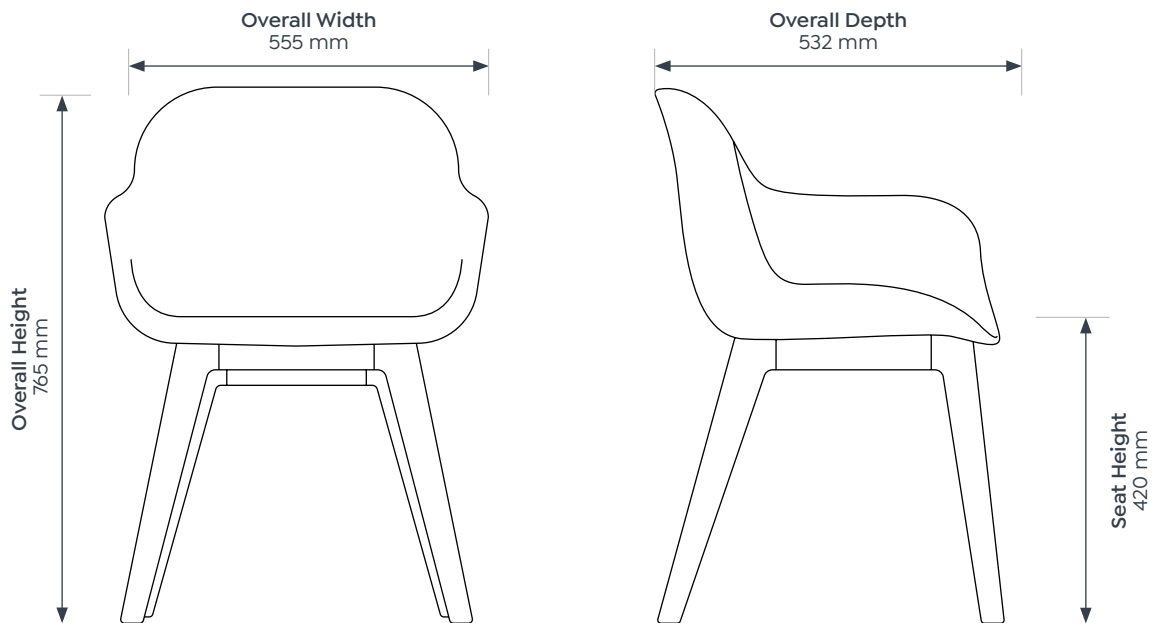
Venice Range.

Dimensions

Venice QM

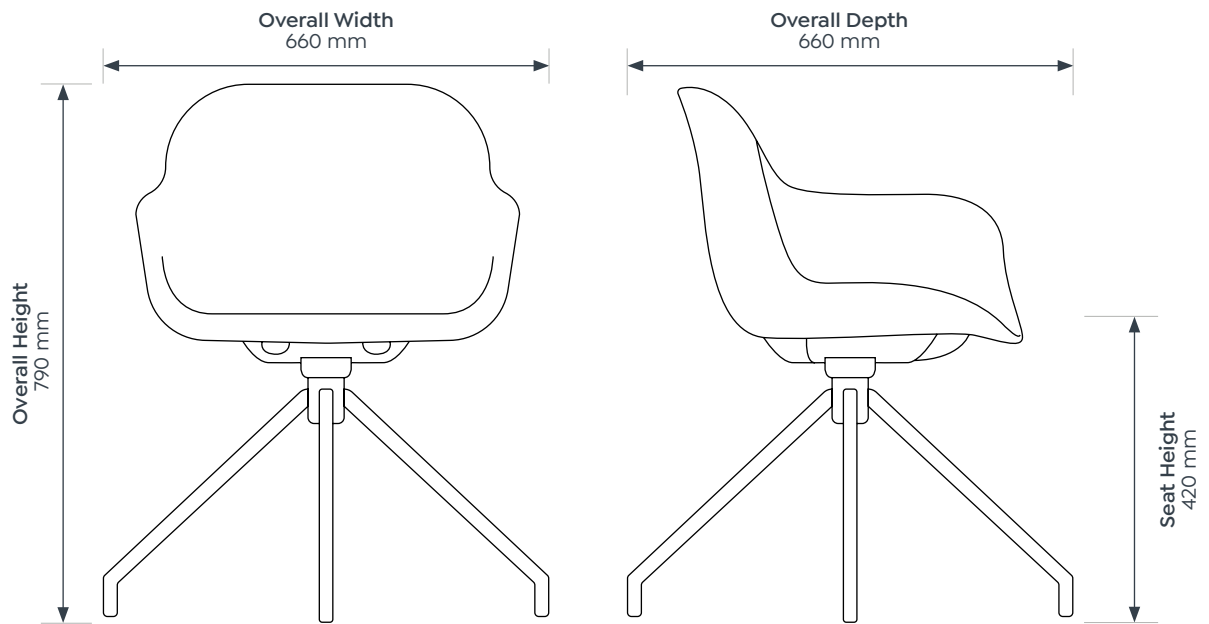


Venice YM



Dimensions

Venice YD



Venice YK

