



Flare Table Range.

The Flare table, perfect for boardrooms, meeting rooms, or premium workstations, features stylish “beam style” splayed steel legs in Matte Black or Arctic White. It offers 25mm height adjustment, customisable worktops in White or New Oak, and options for screens and cable management, ensuring a flat, even, and clutter-free workspace.

Features

Legs, top housing and rails in Black or White Powdercoat finish

Worktop Height 720mm

25mm adjustable feet

80 x 40mm splayed legs. 50 x 25mm rails

Melamine Worktop - 25mm E1 grade substrate finished in studio white or New Oak with matching 2mm PVC edge

Premium Fixings - additional fixings made from premium steel for added strength and stability

2 mm thick steel construction frame for extra strength & stability

Adjustable size rails - custom length rails to create infinite sized frames

Colour Options

Stocked Options



Arctic White

New Oak Matte

Frame



White

Black



Flare Bar Leaner 4 Leg

Flare Bar Leaner 6 Leg

Flare Meeting Table 4 Leg

Flare Meeting Table 6 Leg

Bar Leaner - 4 Leg

1200 x 750 mm	1800 x 900 mm	2400 x 1200 mm
1500 x 750 mm	1800 x 1200 mm	
1800 x 750 mm	2100 x 900 mm	

Bar Leaner - 6 Leg

3000 x 750 mm	3600 x 900 mm	4800 x 1200 mm
3600 x 750 mm	3600 x 1200 mm	

Meeting Table - 4 Leg

1200 x 750 mm	1800 x 900 mm	2400 x 1200 mm
1500 x 750 mm	1800 x 1200 mm	
1800 x 750 mm	2100 x 900 mm	

Meeting Table - 6 Leg

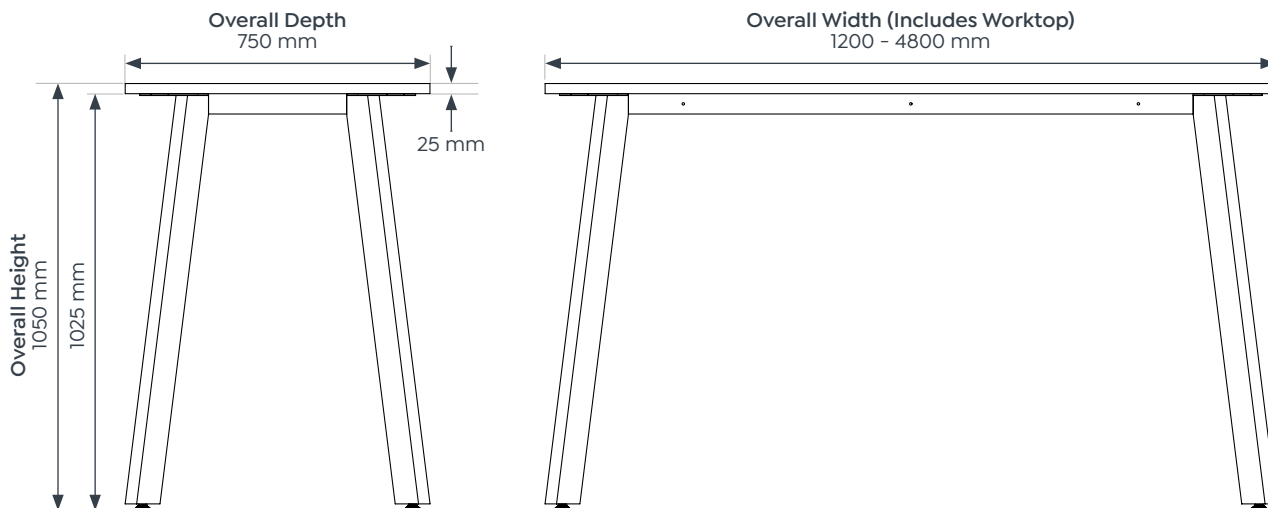
3600 x 1200 mm	4800 x 1200 mm
----------------	----------------



Flare Table Range.

Dimensions

Flare Bar Leaner - 4 Leg



Flare Meeting Table - 4 Leg

