



# Agile 2C Electric Range.

We've designed the Agile range to be the ultimate toolkit for resellers and project managers. It doesn't matter if it's entry level, mid-tier or a premium standing desk solution, there's an Agile for every project.



Agile 2C Electric Single Sided Desk



Agile 2C Electric Double Sided Desk



Agile 2C Electric 90° Workspace

## Features

Min/Max Height 680 - 1160mm (including worktop)

Min/Max Worktop Width 1200 - 2400 mm

Min/Max Worktop Width 600 - 900 mm

Glide Adjustment 25mm

Steel Frame Thickness 2mm

Leg Profile 90mm x 60mm (Rectangular)

2 Leg Columns

Foot Profile 575mm or 680mm

### Single Sided Desk

1200 x 750 mm	1600 x 800 mm
1500 x 750 mm	1800 x 750 mm
1500 x 800 mm	1800 x 800 mm
1600 x 750 mm	

### Double Sided Desk

2 x 1200 x 600 mm	2 x 1500 x 800 mm	2 x 1800 x 600 mm
2 x 1200 x 750 mm	2 x 1600 x 600 mm	2 x 1800 x 750 mm
2 x 1500 x 600 mm	2 x 1600 x 750 mm	2 x 1800 x 800 mm
2 x 1500 x 750 mm	2 x 1600 x 800 mm	

### Single 90° Workstation

1800 x 1800 x 600 mm
1800 x 1800 x 750 mm



# Agile 2C Electric Range.

## Optional Upgrades

50mm Studio screens

50mm Studio screens with integrated cable duct

10, 20 & 30mm AcoustiQ screens

Cable trays - system includes desk to desk bridges, power/ data mounting points (inside the tray or on the vertical face) and cable snakes to the desktop



Single Motor Desk with integrated cable duct and Hung AcoustiQ Blue Screen



Double Motor Desk with integrated cable duct and Hung Splice Lagoon Screen

## Finishing Selection

### Stocked Options



Arctic White New Oak Matte New Oak Ravine Nordic Maple

### Requested Options



Classic Natural Sublime Teak Natural Walnut

### Frame Options



Black White

## Studio50

Screens are Australian made



## AcoustiQ

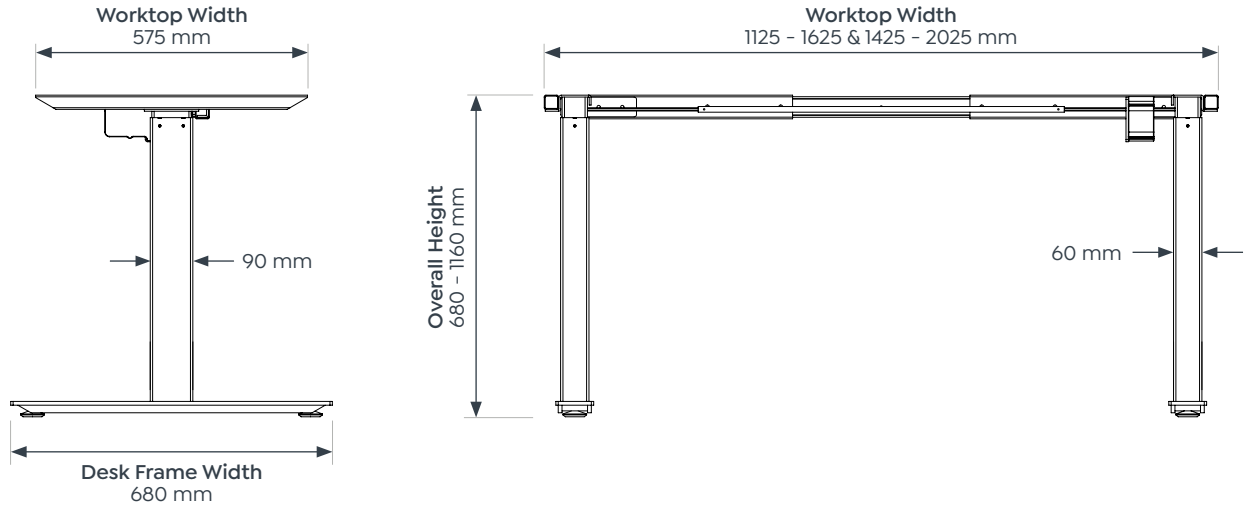
### Screen Colour Options



# Agile 2C Electric Range.

## Dimensions

### Agile 2C Electric Single Sided Desk



### Agile 2C Electric Double Sided Desk

