



Game Chair.

The Game Chair offers efficiency and mobility with low and high profile frames, ergonomic design, and connectable feet. Its contemporary colors fit various settings, making it ideal for training, classrooms, labs, and cafeterias. Perfect for accommodating large groups with comfort and portability.

Features

5 Minutes to assemble with minimal tools.

Seat and back can be upholstered in Breathe fabric with 7 colours to choose from.

Strong rigid, frame that is very light and easy to carry.

Chrome or silver, white or black powdercoated frames provide protection from corrosion, rust & UV.



Colour Options

Polypropylene Shell



Breathe Uphostery



Frame Powdercoat



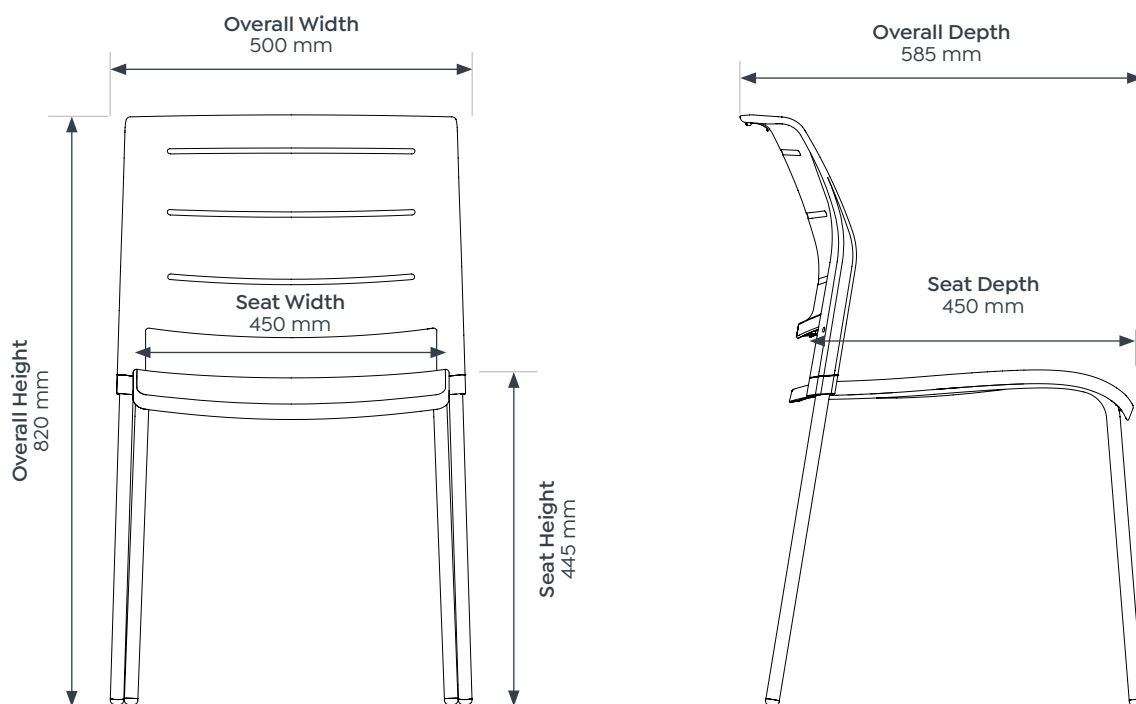
	Game 4 leg	Game Sled	Game Barstool
Seat H	445 mm	460 mm	735 mm
Seat W	440 mm	480 mm	445 mm
Seat D	450 mm	420 mm	450 mm
Overall H	820 mm	815 mm	1095 mm
Overall W	500 mm	490 mm	480 mm
Overall D	585 mm	515 mm	640 mm



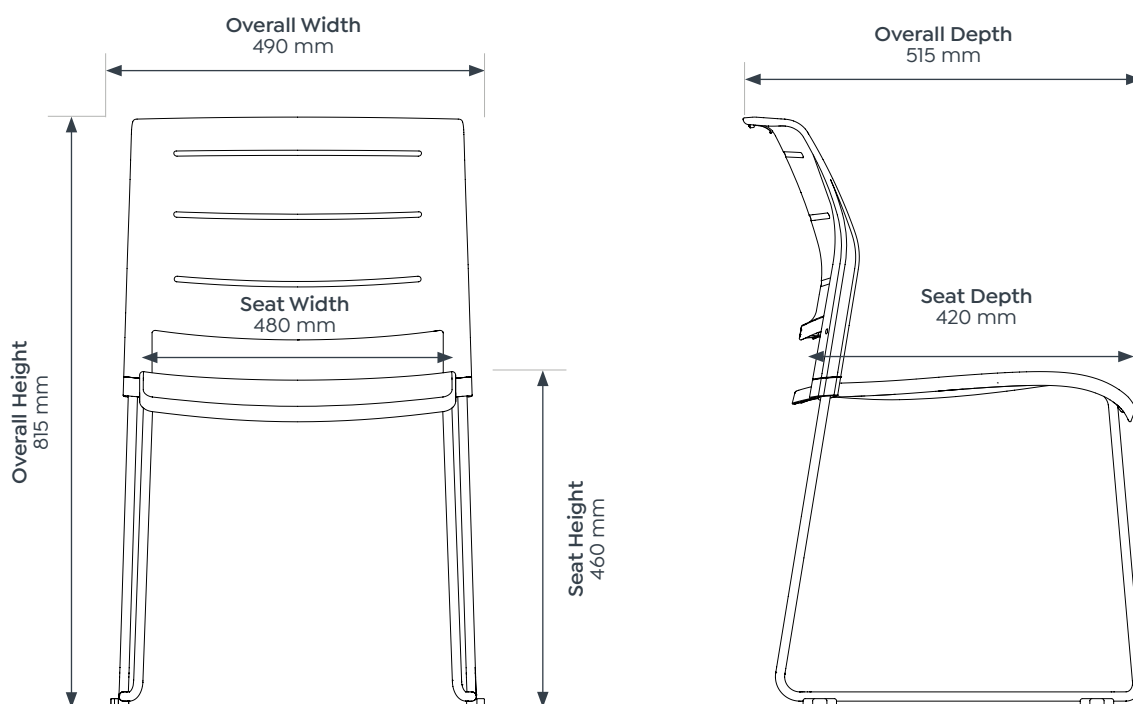
Game Chair.

Dimensions

Game 4 Legs



Game Sled



Dimensions

Game Barstool

