



Motion Sync.

Renowned for being the most comfortable chair we have to offer; the Motion Sync comes with an unparalleled level of ergonomic customisation. On top of the three distinct adjustment levers and removable lumbar support, the Motion Sync also features an intuitive synchro tilt mechanism that moves the seat in harmony with the backrest recline.

Features

Synchro tilt mechanism moves the seat in harmony with the back recline

2 lever - seat height and seat slide adjustment

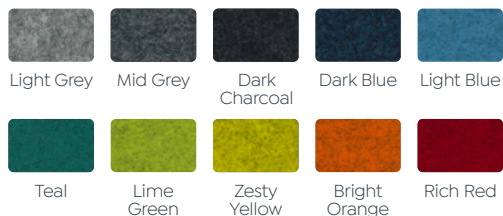
Generous sized black mesh backrest - ergonomically supports your back

Stylish black nylon star base

Suitable for task, executive, conference and boardroom seating



Motion Felt Colour Options



Sunday Fabric Colours

Premium Sunday fabric available with a 12 week lead time



Motion Sync with Black Fabric Seat



Motion Sync with Motion Felt Cover



Motion Sync with Lumbar



Motion Sync with Lumbar & Arms

Motion Sync No Arms

Seat H	480 - 600 mm
Seat W	465 mm
Seat D	480 mm
Overall H	980 - 1090 mm
Overall W	680 mm
Overall D	660 mm

Motion Sync With Arms

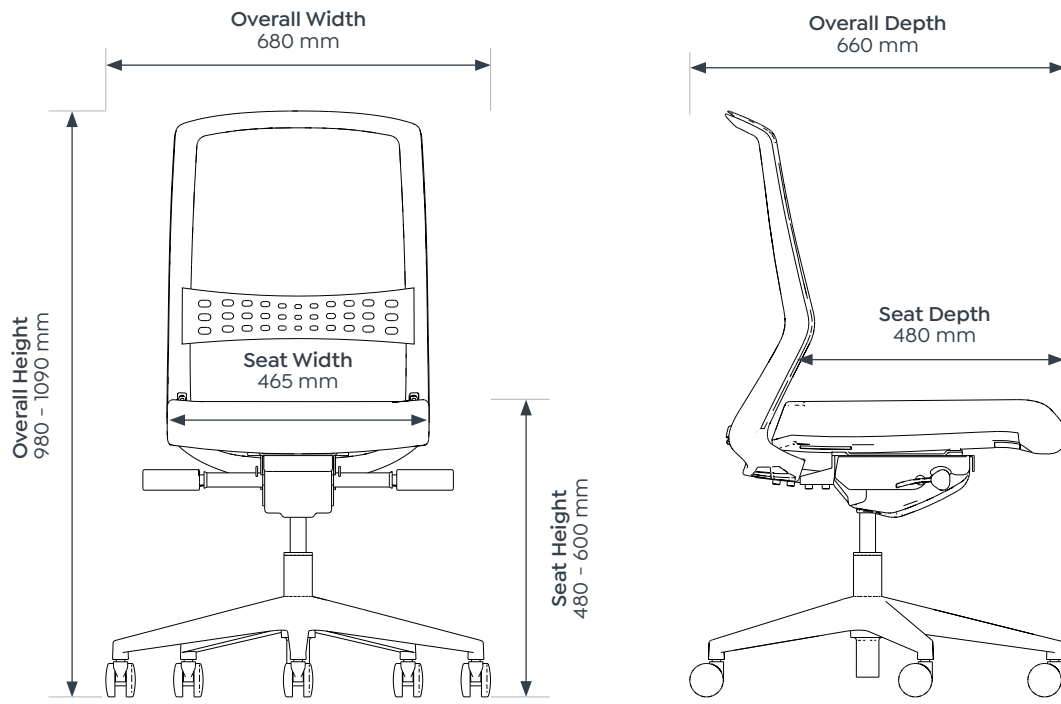
Seat H	480 - 600 mm
Seat W	465 mm
Seat D	480 mm
Overall H	980 - 1090 mm
Overall W	680 mm
Overall D	660 mm
Armrest H	660 - 704 mm



Motion Sync.

Dimensions

Motion Sync No Arms



Motion Sync With Arms

