



Team Table Range.

The Team table range offers sleek design and robust functionality with a lightweight, durable aluminium frame. Ideal for versatile meeting spaces, it combines easy mobility with a modern aesthetic, enhancing any workspace.

Features

Durable, lightweight aluminium frame - refined, modern appearance

Accommodates for one-on-one meetings to corporate business discussions or presentations

Frame suitable for round, square or rectangle worksurfaces

Frames finished in Polished Alloy or Powdercoat in Matte Black or Gloss White

Melamine 25mm worktops finished in White or New Oak on E1 grade substrate with matching PVC edge

Fixed height 720mm (incl worktop)

30mm levelling guide adjustments in each foot

Colour Options

Stocked Options



Arctic White

New Oak Matte

New Oak Ravine

Nordic Maple

Requested Options



Classic Natural

Sublime Teak

Natural Walnut

Frame



White

Black

Polished Alloy



Team Table 3 Leg



Team Table 4 Leg



Team Table 6 Leg



Team Table 8 Leg

Team Table Dimensions

900 x 900 - 4 Leg Standard

Ø 1050 mm - 3 Leg Standard

Ø 900 mm - 3 Leg Standard

Ø 1200 mm - 4 Leg Standard

4 Leg Boardroom Table

1500 x 750 mm

2100 x 900 mm

1800 x 750 mm

2400 x 1200 mm

1800 x 900 mm

1800 x 1200 mm

6 Leg Boardroom Table - 2 Worktops

3600 x 1200 mm

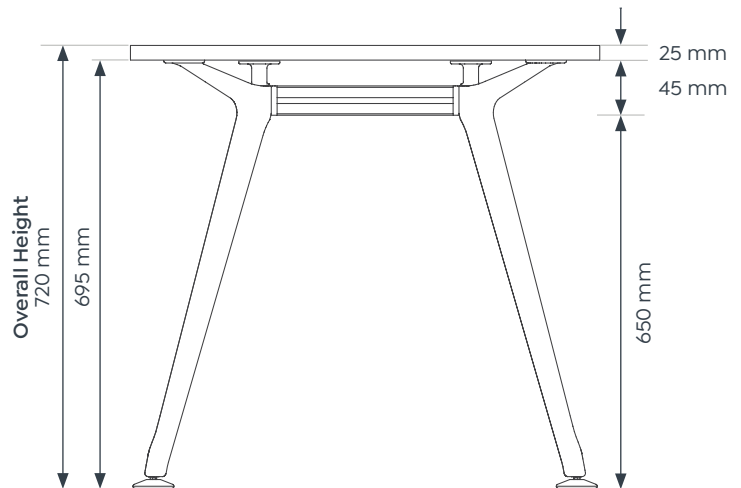
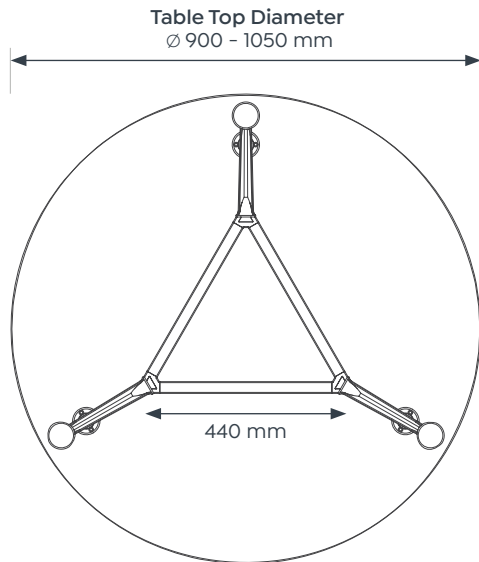
4800 x 1200 mm



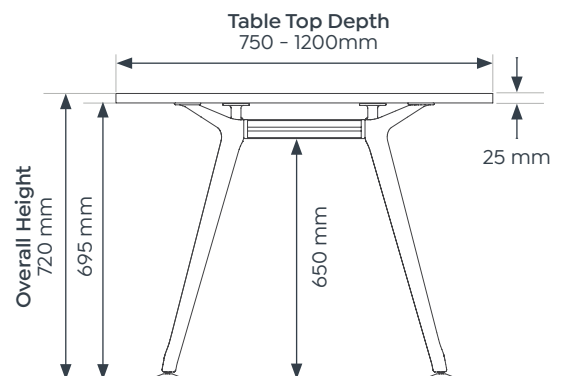
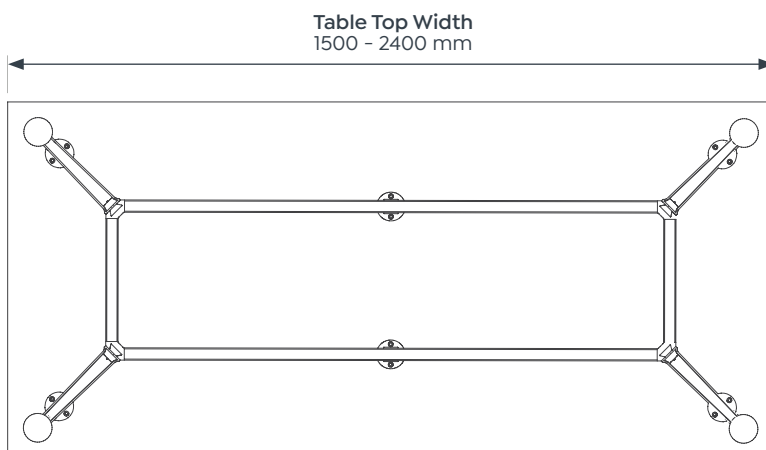
Team Table Range.

Dimensions

Team Table - 3 Leg (Typical Frame Dimensions)

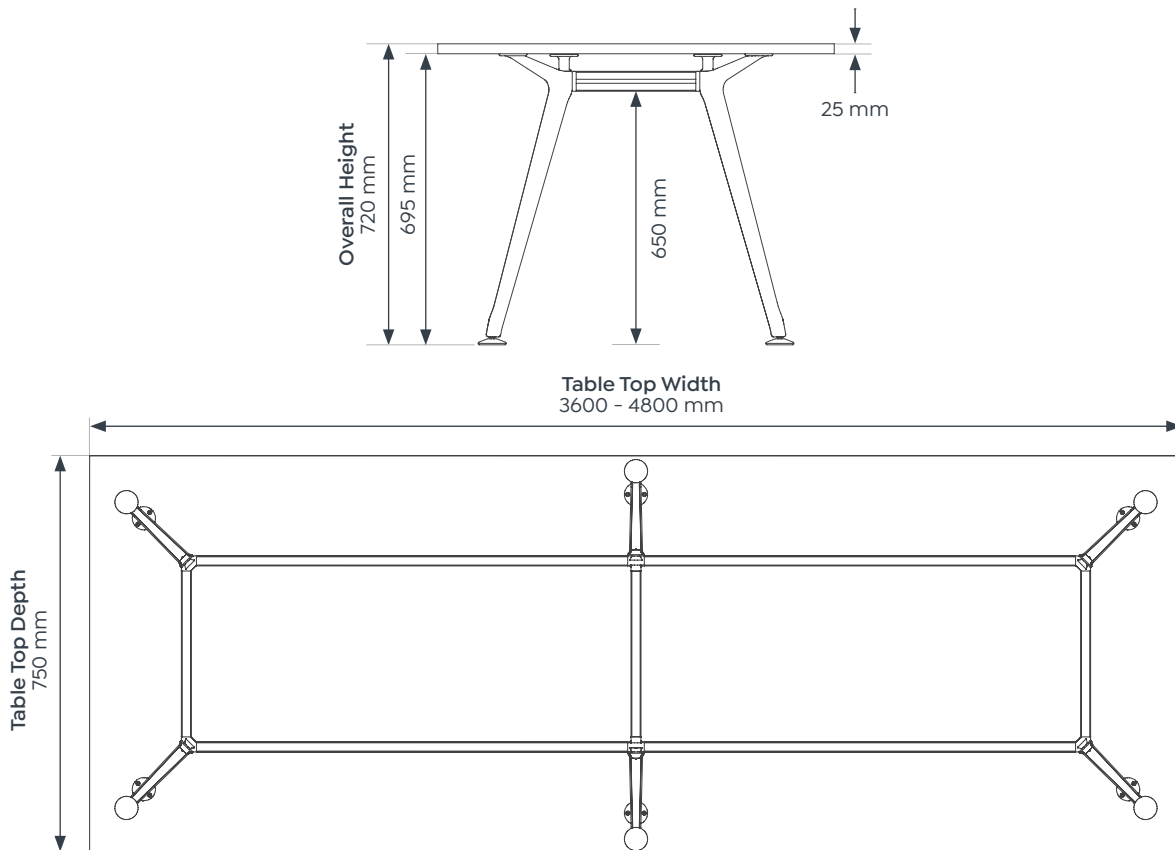


Team Table - 4 Leg (Typical Frame Dimensions)



Dimensions

Team Table - 6 Leg (Typical Frame Dimensions)



Team Table - 8 Leg (Typical Frame Dimensions)

