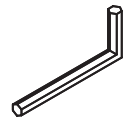


Rover Range (50-ROMBS-0805)

Assembly Instructions

Rover Range (50-ROMBS-0805)

Components List



1 x Wrench

A



16 x 6x20mm
Fix Bolt

B3



2 x Castor

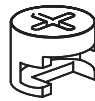
T1



2 x Castor

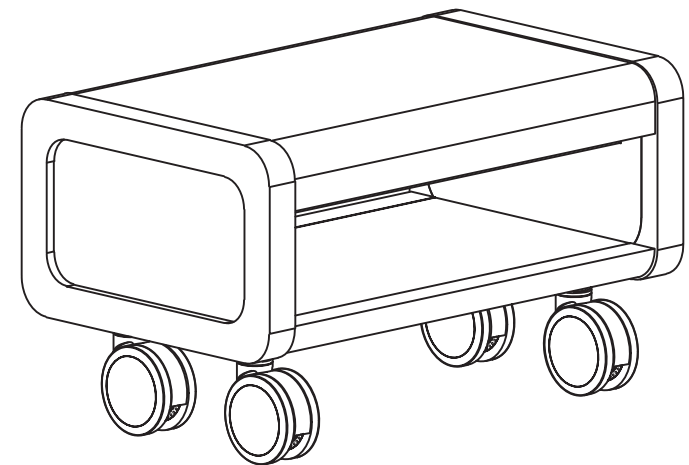
T2

Pre-installed Parts:

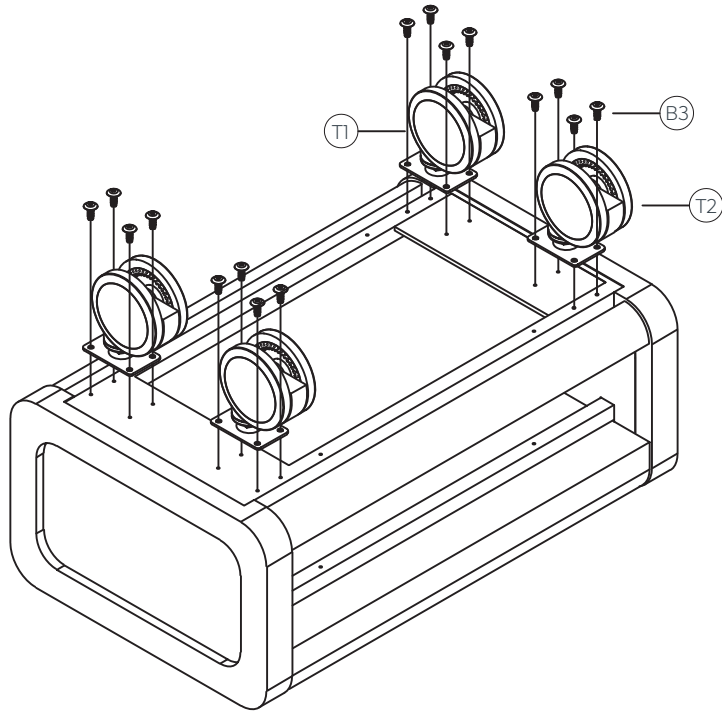


Cam

C5

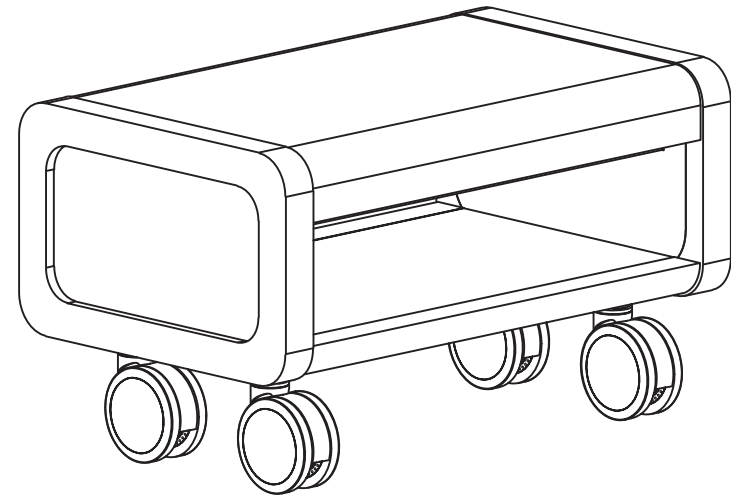


STEP 1:



1. Install castors T1 and T2 using screws B3.

Complete:





Sydney 02 8188 2732

Melbourne 03 9111 0315

Brisbane 07 3733 1923

Adelaide 08 7111 0810

Perth 08 9468 2707

info@olgoffice.com

myolg.online | olgoffice.com | officedesigner.net | motionoffice.com