


Rover Range (50-ROMRB - 1612)


Assembly Instructions

Rover Range (50-ROMRB - 1612)

Components List



12 x 3x14mm
Screw



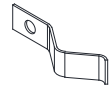
56 x 3.5x14mm
Screw



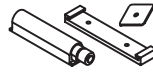
2 x Hinge Stand

S2

G1



adjustable
spring pieces



4 x Lock

L



4 x Hinge Stand

G2



50 x 6x35mm
Cam Bolt

C1



44 x 8x30mm
Dowel Pin

D1



20 x 5/8"
Cam Cover

C2



16 x Threaded
Dowel Pin

P1



8 x 4x22mm
Fix Bolt

B2



24 x 3.5x30mm
Screw

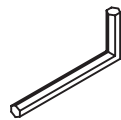
S1

Pre-installed
Parts:



20 x 6x25mm
Fix Bolt

B1



1 x Wrench

A



20 x 6x20mm
Fix Bolt

B3



2 x Castor

T1



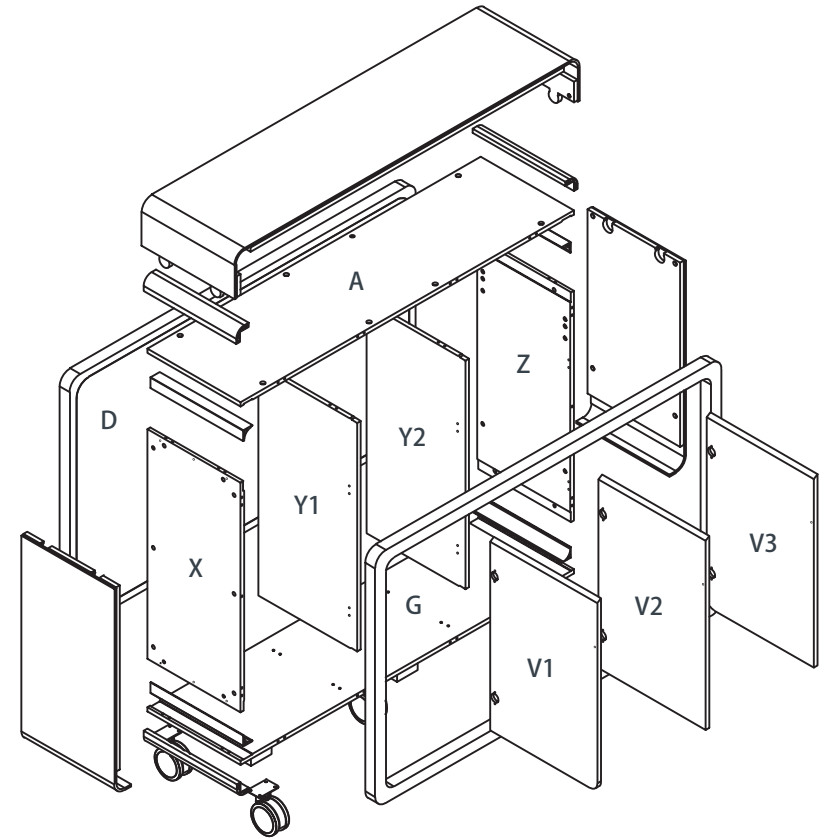
3 x Castor

T2

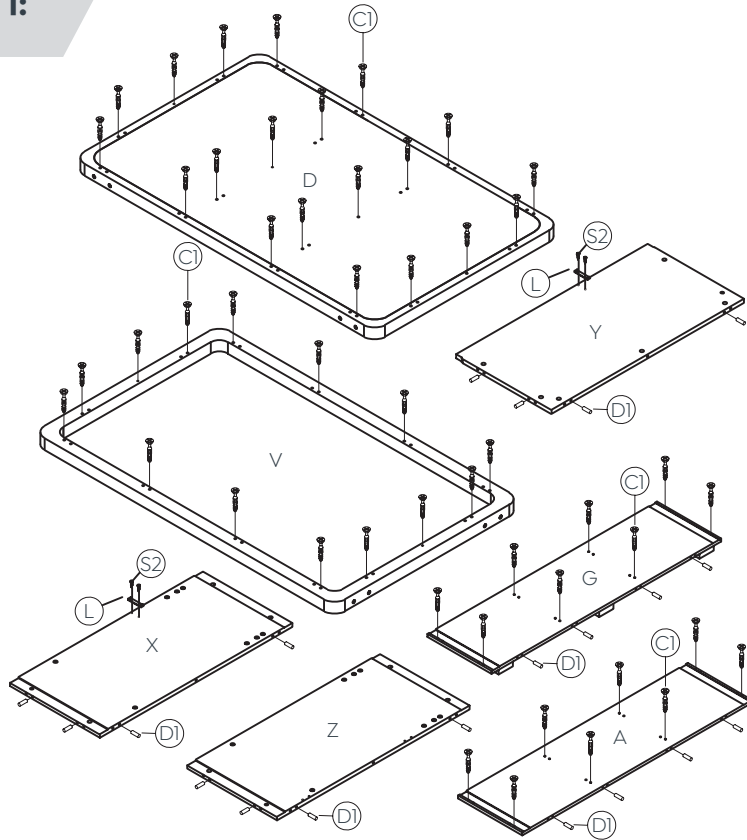


Cam

C5



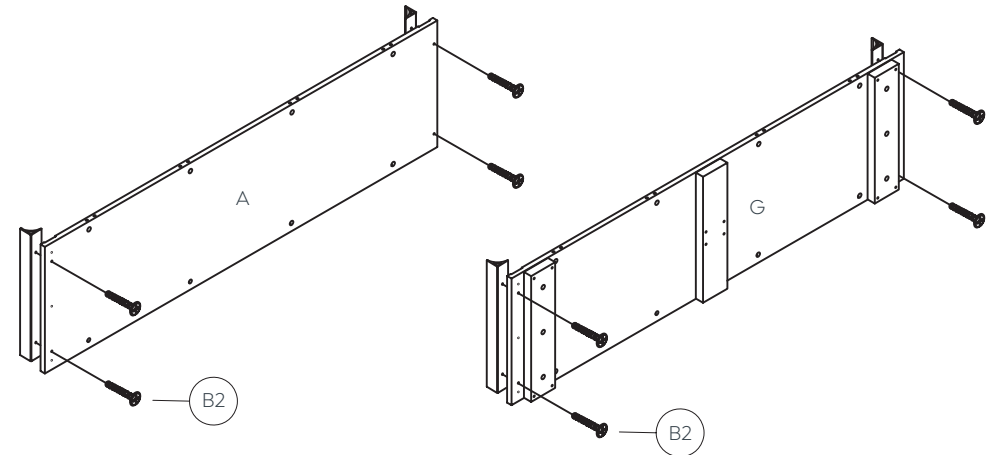
STEP 1:



Preparation for panel A, G, Z, X, Y, F and D.

1. Insert cam bolts C1 and dowel pins D1 into panels A, G, D, X and Z as illustrated above.
2. Locate the trim ring on lock and set aside. Insert cylinder of lock L through hole in Y and secure with S2 screws. Add trim ring to lock on outside of Y.
3. Insert cam bolts C2 and dowel pins D1 into panels Y as illustrated above.

STEP 2:

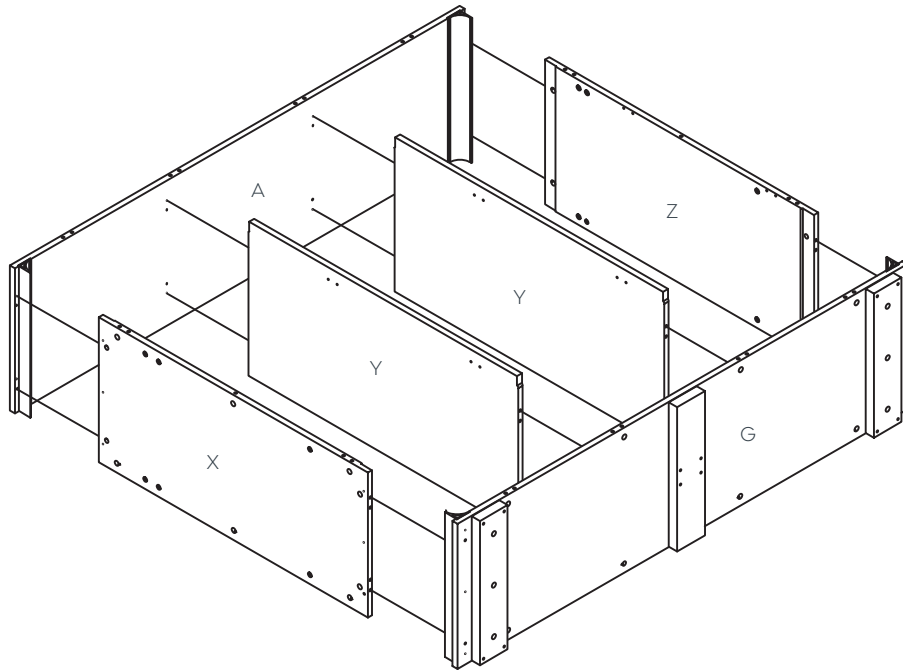


1. Install the aluminum piece and A, G panel together with bolts B2 as illustrated above.

Rover Range (50-ROMRB - 1612)

Assembly Instructions

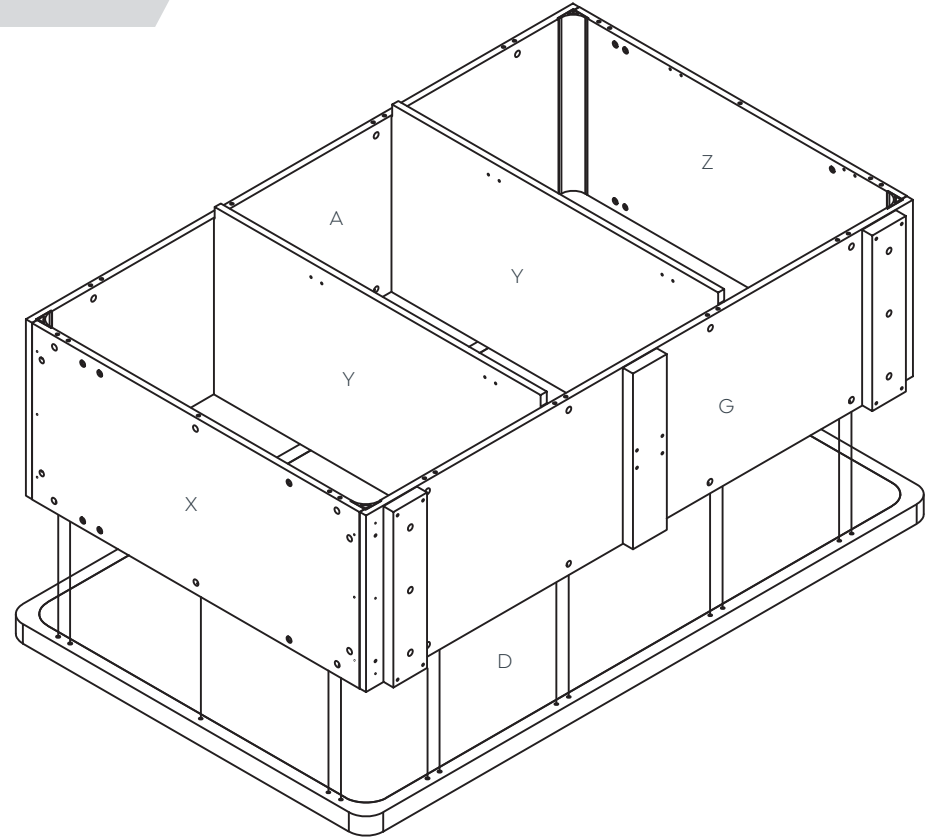
STEP 3:



Panel A/G assembly

1. Insert cam bolts C1 and dowel pins D1 on panel A, G into cams on panel X, Z, Y and tighten in a clockwise direction as illustrated above.

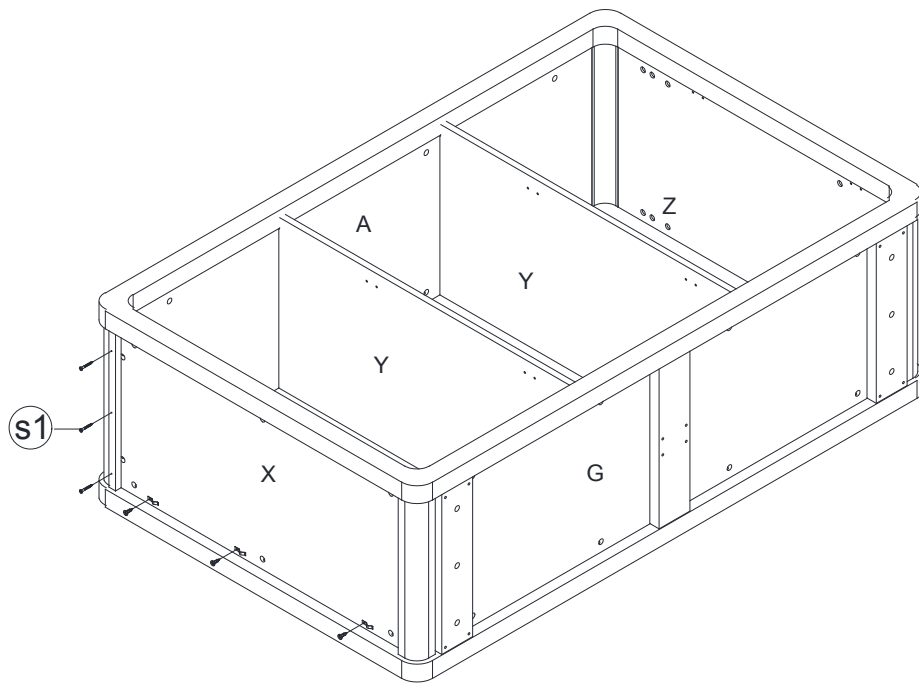
STEP 4:



Panel D assembly

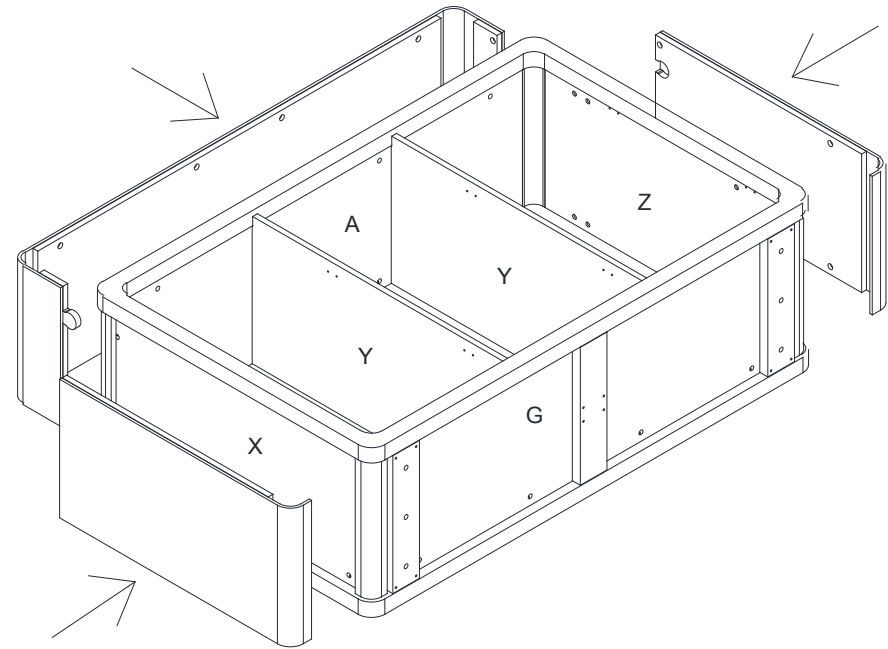
1. Insert cam bolts C1 and dowel pins D1 on panel D into cams on panel X, Z, A, G, Y and tighten in a clockwise direction as illustrated above.

STEP 5:



1. Install the aluminum piece and X, Z, A, G panel together with screw S1 as illustrated above.
2. Install the aluminum piece and X, Z panel together with screw S1 as illustrated above.

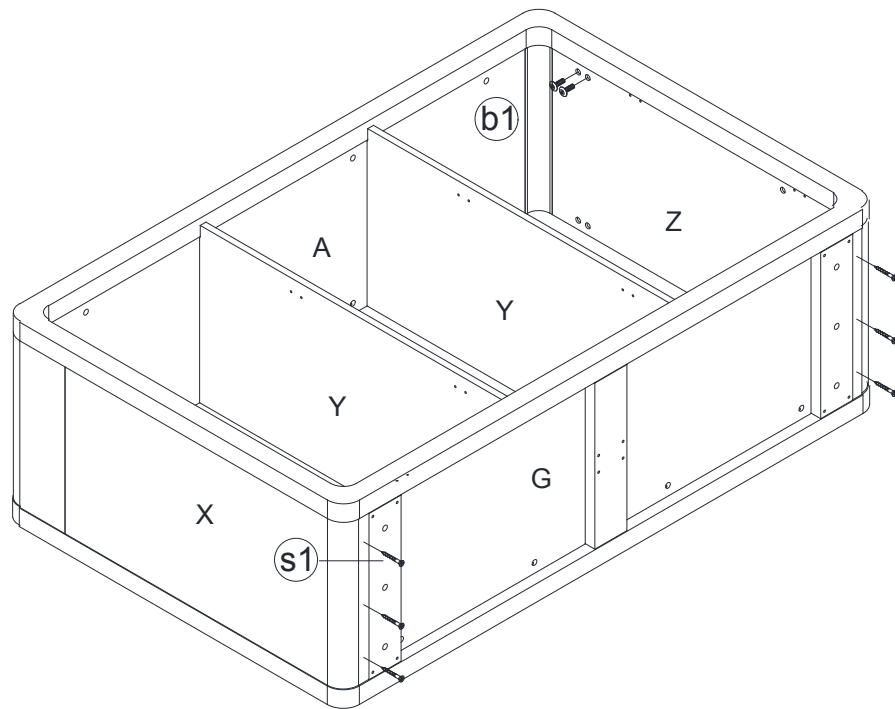
STEP 6:



Rover Range (50-ROMRB - 1612)

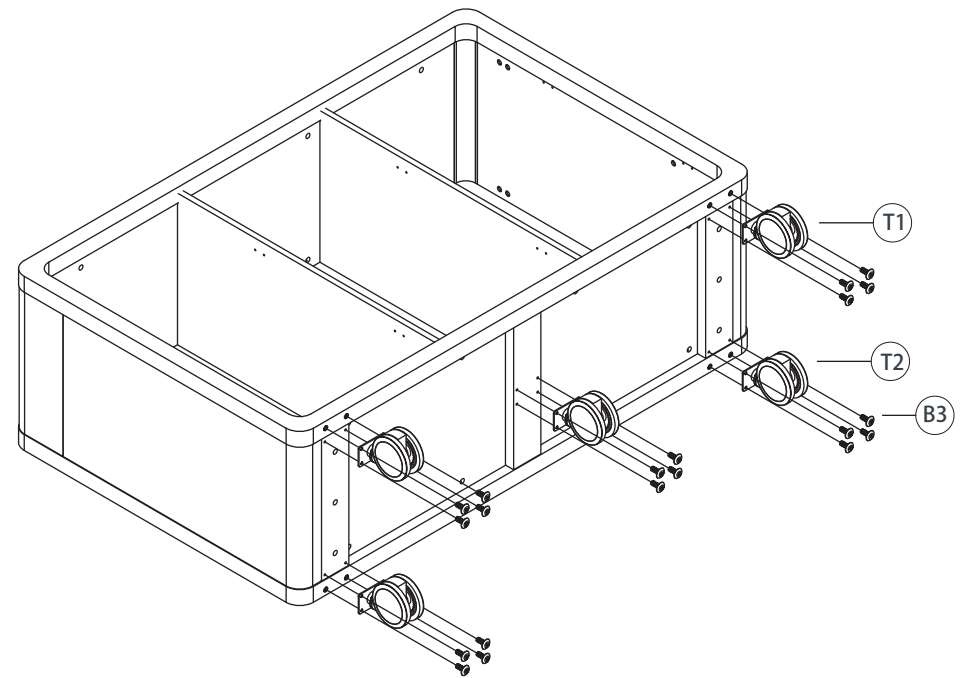
Assembly Instructions

STEP 7:



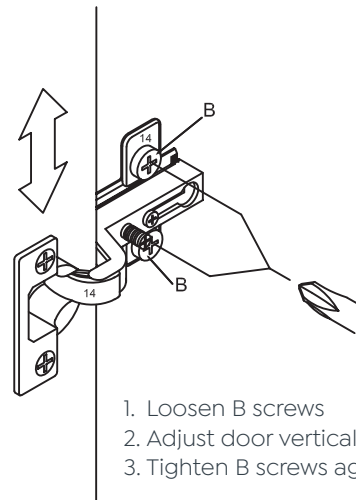
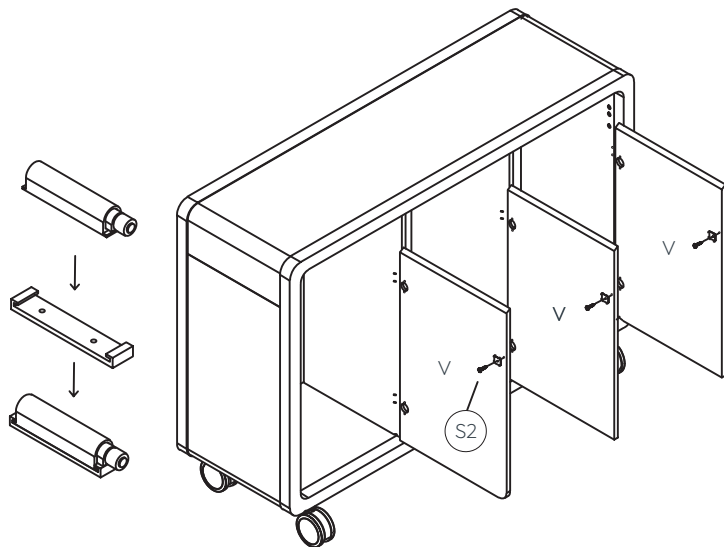
1. Insert Fix Bolt B1 on panel A, X, Z into cams on eva and tighten in a clockwise direction as illustrated above.
2. Install the aluminum piece and G panel together with Screw S1 as illustrated above.

STEP 8:

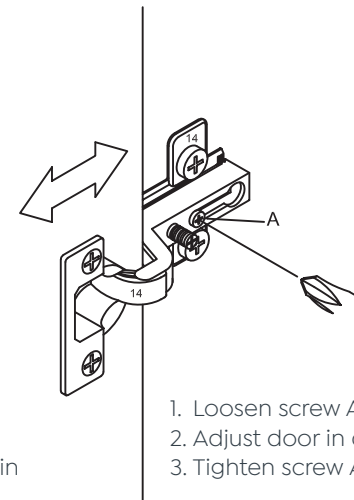


1. Install castors T1 and T2 using screws B3.

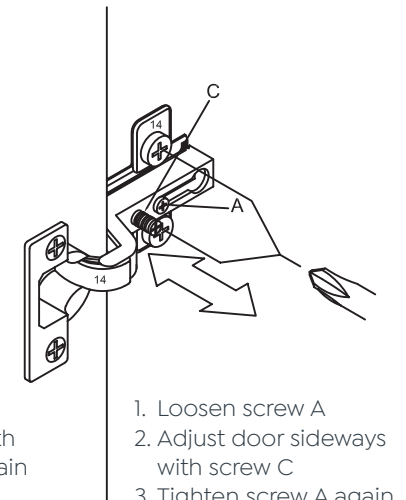
STEP 9:



1. Loosen B screws
2. Adjust door vertical
3. Tighten B screws again



1. Loosen screw A
2. Adjust door in depth
3. Tighten screw A again

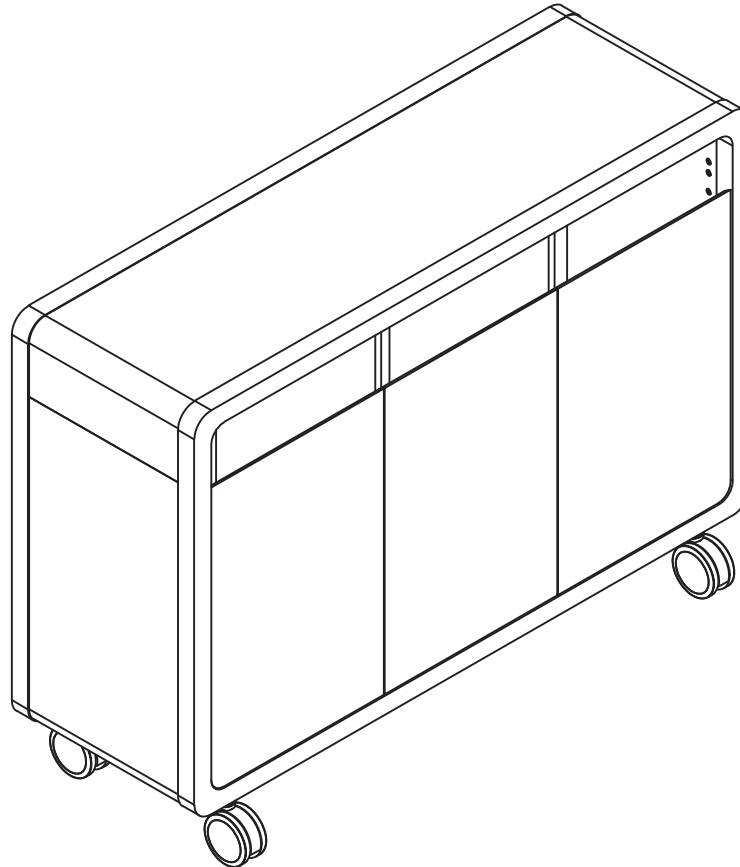


1. Loosen screw A
2. Adjust door sideways with screw C
3. Tighten screw A again

Rover Range (50-ROMRB - 1612)

Assembly Instructions

Complete:



Remove all QC and panel labels and wipe clean using a damp cloth and general household cleaner.



Sydney 02 8188 2732

Melbourne 03 9111 0315

Brisbane 07 3733 1923

Adelaide 08 7111 0810

Perth 08 9468 2707

info@olgoffice.com

myolg.online | olgoffice.com | officedesigner.net | motionoffice.com