







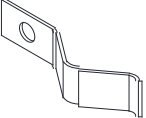
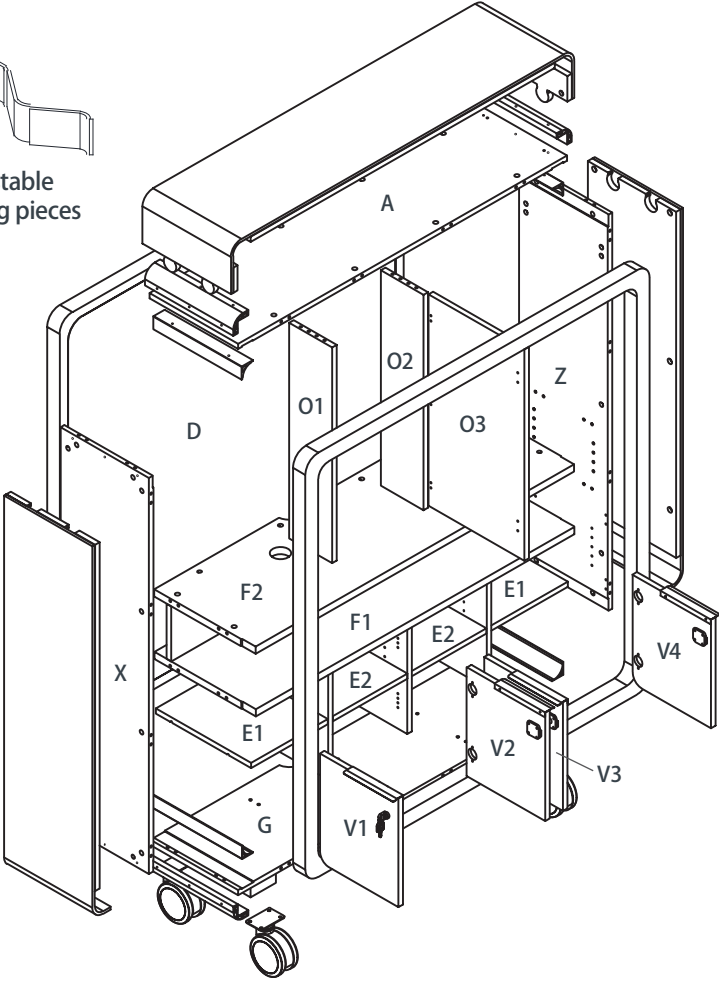

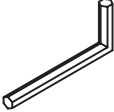







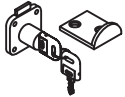





---

## Rover Range (50-ROMTVC-1416)

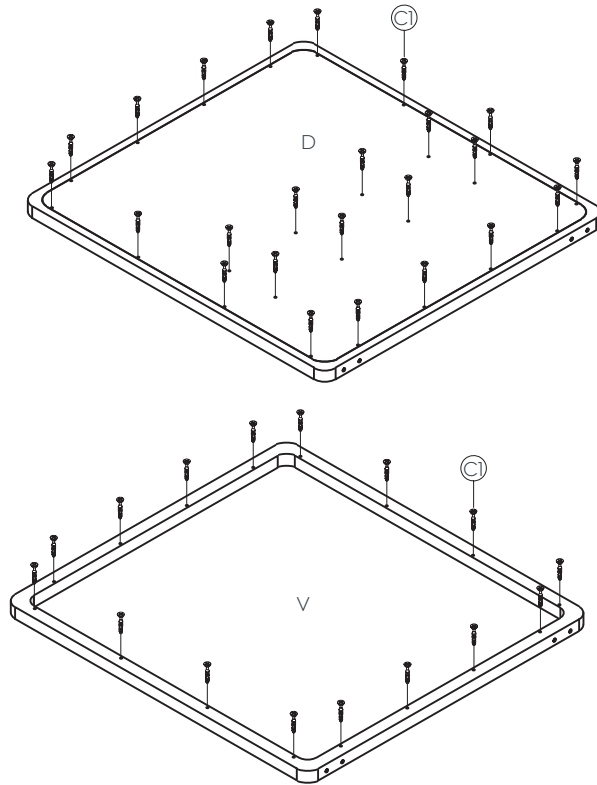
Assembly Instructions

# Rover Range (50-ROMTVC-1416)

## Components List

							
72 x 6x35mm Cam Bolt C1	36 x 8x30mm Dowel Pin D1	22 x 5/8" Cam Cover C2	16 x Threaded Dowel Pin P1	8 x 4x22mm Fix Bolt B2	24 x 3.5x30mm Screw S1	adjustable spring pieces	
							
22 x 6x25mm Fix Bolt B1	1 x Wrench A	16 x 6x20mm Fix Bolt B3	2 x Castor T1	2 x Castor T2	16 x 3x14mm Screw S3	16 x 3.5x20mm Screw S4	
					Pre-installed Parts: 		
36 x 3x14mm Screw S3	60 x 3.5x14mm Screw S2	4 x Lock L	4 x Hinge Stand G1	3 x Hinge H1	Cam C5		
							
	4 x Hinge Stand G2	2 x Magnet M					

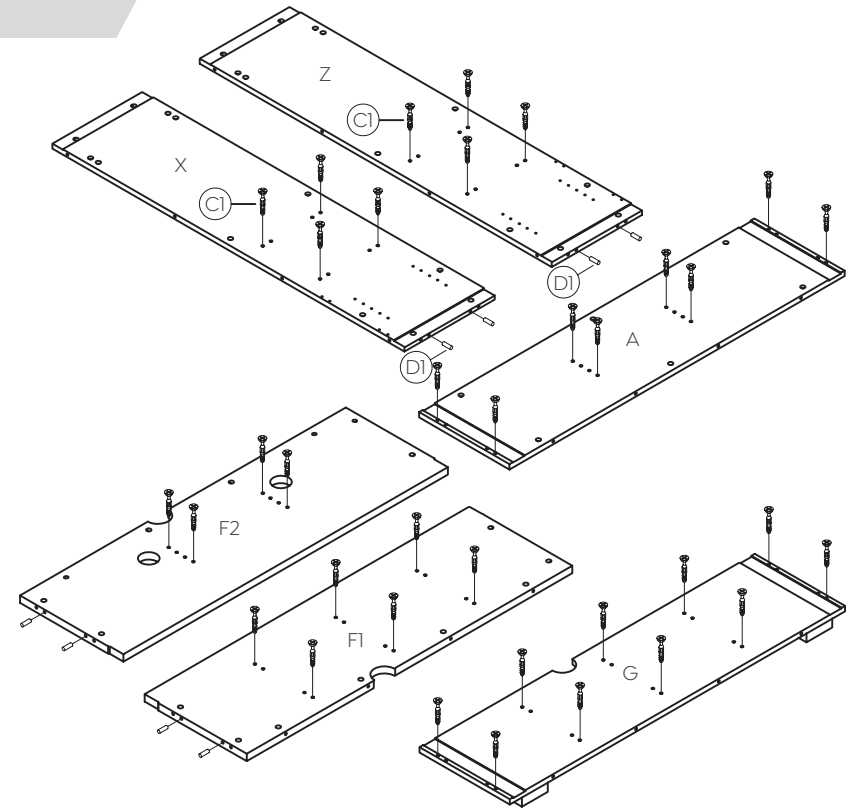
## STEP 1:



### Preparation for panel V, D.

1. Insert cam bolts C1 into panels D, and V as illustrated above.

## STEP 2:



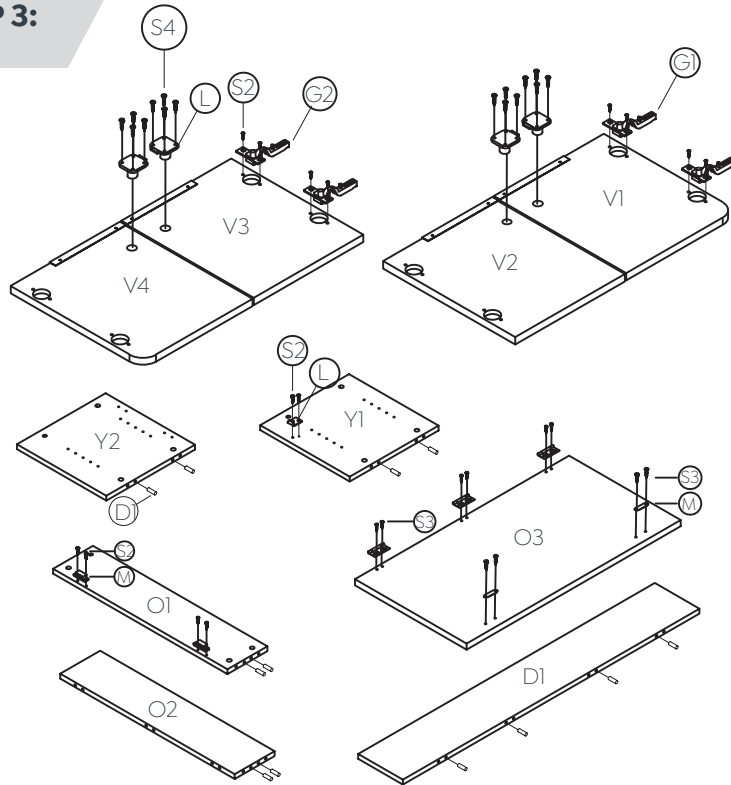
### Preparation for panel A, G, X, Z, F1, F2.

1. Insert cam bolts C1 into panels A, G, F1, F2, X and Z as illustrated above.
2. Insert dowel pins D1 into panels X, Z, F1 and F2 as illustrated above.

# Rover Range (50-ROMTVC-1416)

## Assembly Instructions

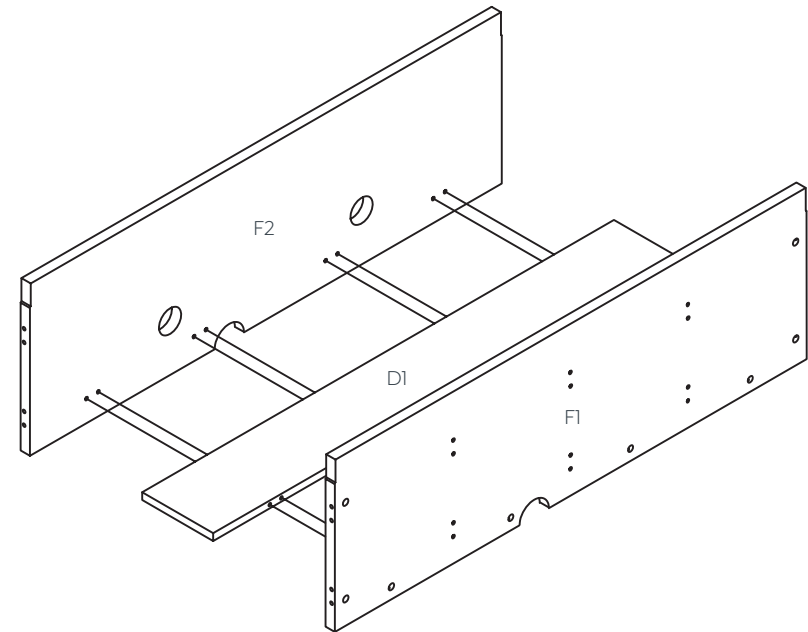
### STEP 3:



#### Preparation for panel V1, V2, V3, V4, Y1, Y2, D1, O1, O2, O3.

1. Insert dowel pins D1 into panels Y1, Y2, O1, O2 and D1 as illustrated above.
2. Insert cylinder of lock L through hole in Y1 and secure with S2 screws.
3. Insert lock L through hole in V1, V2, V3, V4 and secure with S4 screws.
4. Fix Hinge stand G1 into V1, V4 and G2 into V2, V3 secure with S2 screws.
5. Fix Hinge H1 into O3 and Magnet M into O3 secure with S3 screws.
6. Fix Magnet M into O1 secure with S2 screws.

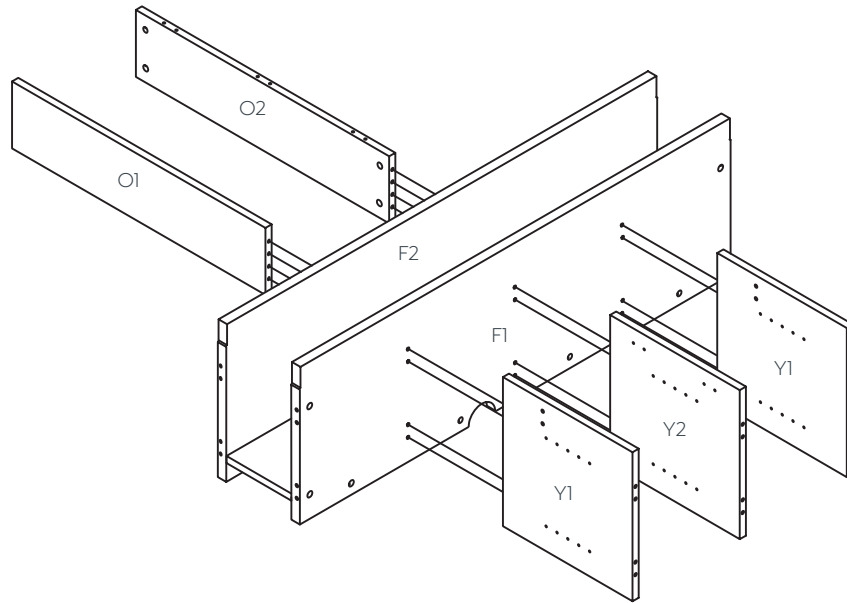
### STEP 4:



#### Panel F1, F2, D1 assembly.

1. Insert cam bolts C2 and dowel pins D1 on panel D1 into cams on panel F1, F2 and tighten in a clockwise direction as illustrated above.

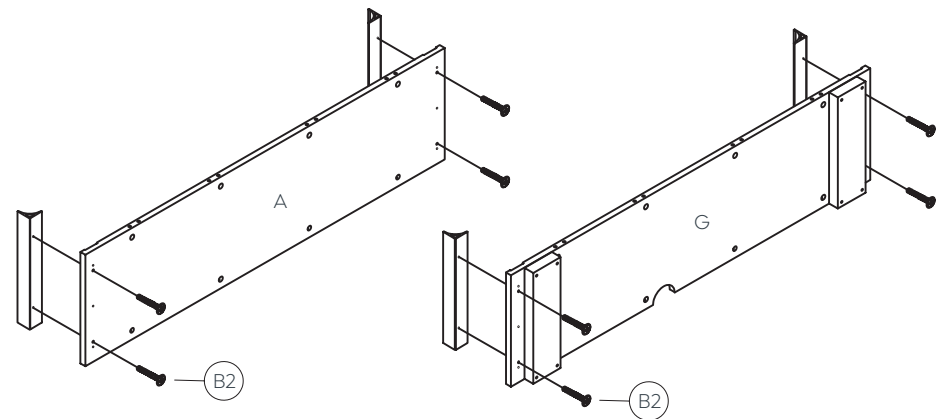
## STEP 5:



### Panel O1, O2, Y1, Y2 assembly.

1. Insert cam bolts C2 and dowel pins D1 on panel O1, O2 into cams on panel F2 and tighten in a clockwise direction as illustrated above.
1. Insert cam bolts C2 and dowel pins D1 on panel Y1, Y2 into cams on panel F1 and tighten in a clockwise direction as illustrated above.

## STEP 6:

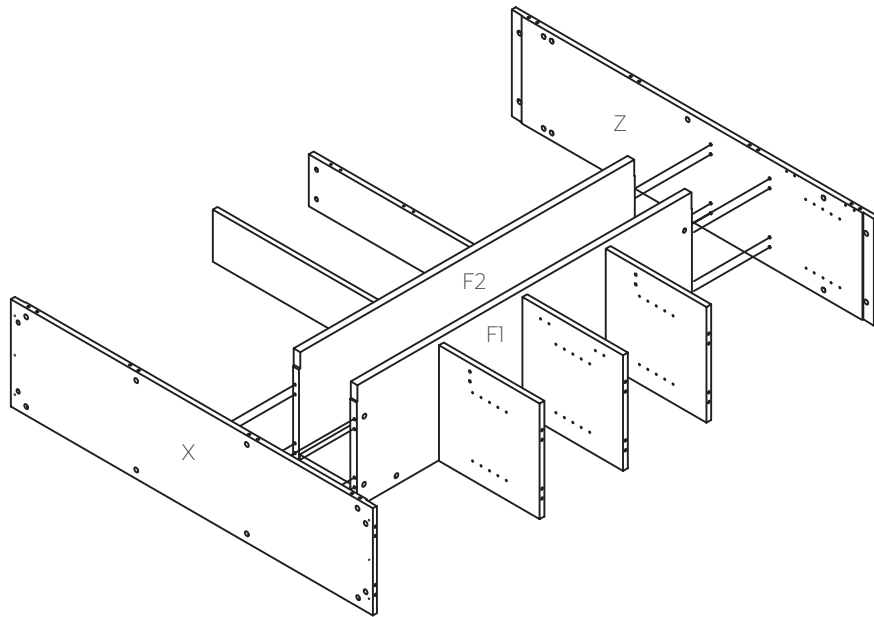


1. Install the aluminum piece and A, G panel together with bolts B2 as illustrated above.

# Rover Range (50-ROMTVC-1416)

## Assembly Instructions

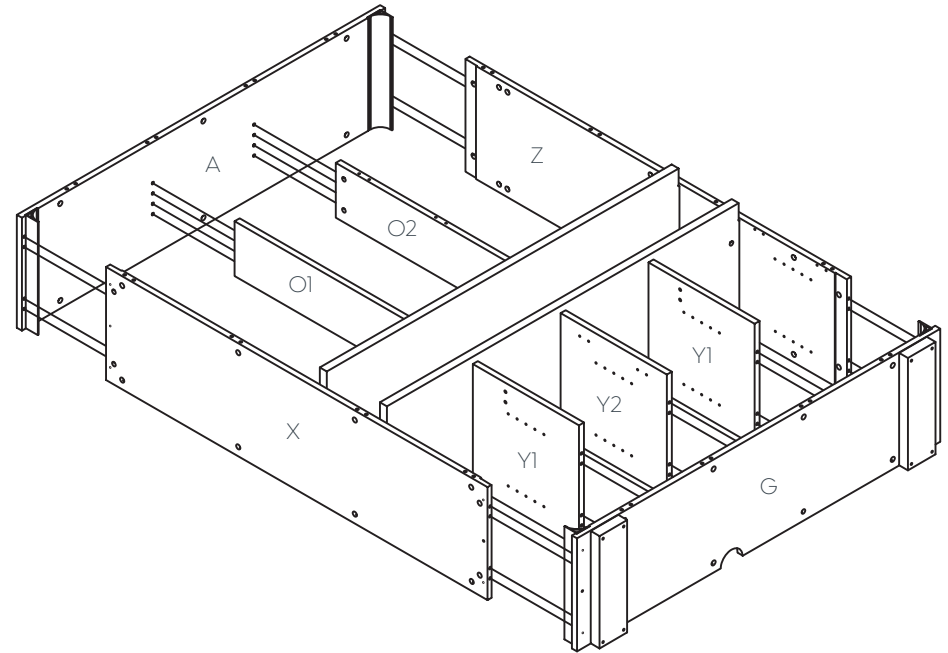
### STEP 7:



#### Panel X, Z assembly.

1. Insert cam bolts C2 and dowel pins D1 on panel X, Z into cams on panel F1, F2 and tighten in a clockwise direction as illustrated above.

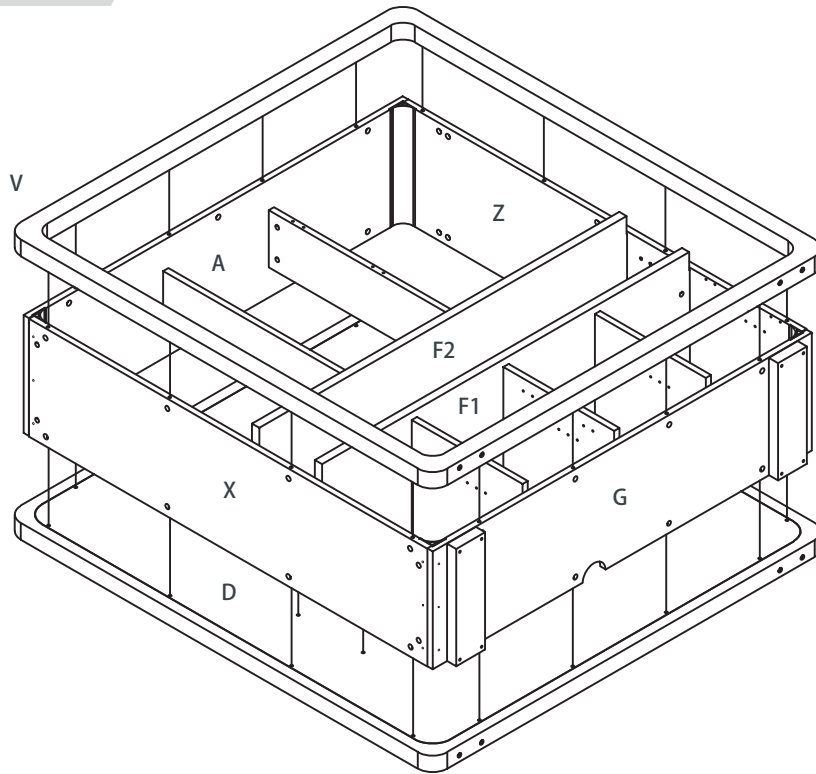
### STEP 8:



#### Panel A/G assembly.

1. Insert cam bolts C1 and dowel pins D1 on panel A, G into cams on panel X, Z, O or Y and tighten in a clockwise direction as illustrated above.

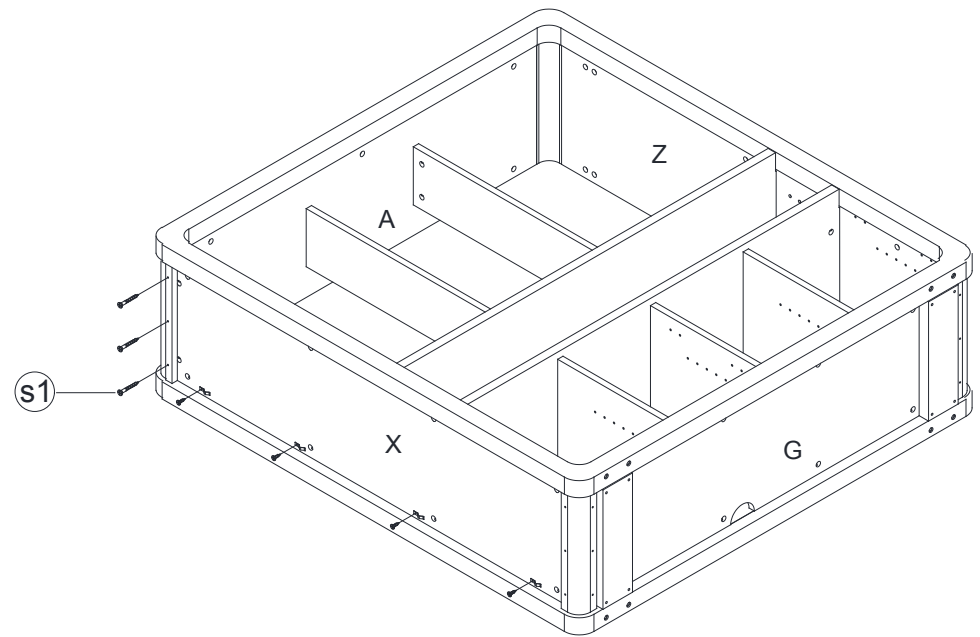
### STEP 9:



#### Panel D, V assembly.

1. Insert cam bolts C1 on panel D, V in to cams on panel X, Z, A, G, F1, F2 and tighten in a clockwise direction as illustrated above.

### STEP 10:

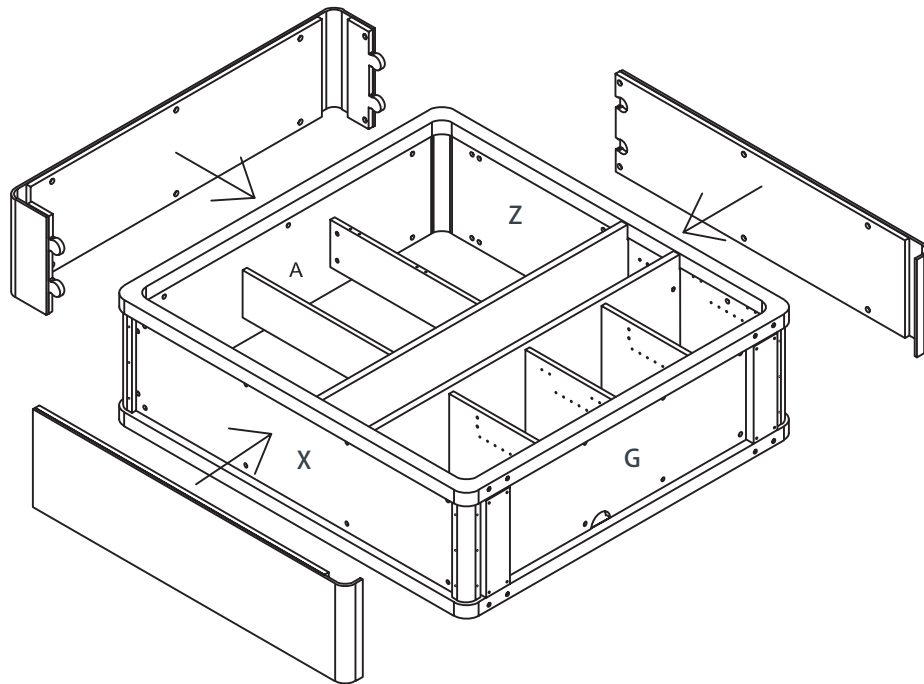


1. Install the aluminum piece and X, Z, A, G panel together with Screws S1 as illustrated above.
1. Install the aluminum piece and X, Z panel together with Screws as illustrated above.

# Rover Range (50-ROMTVC-1416)

## Assembly Instructions

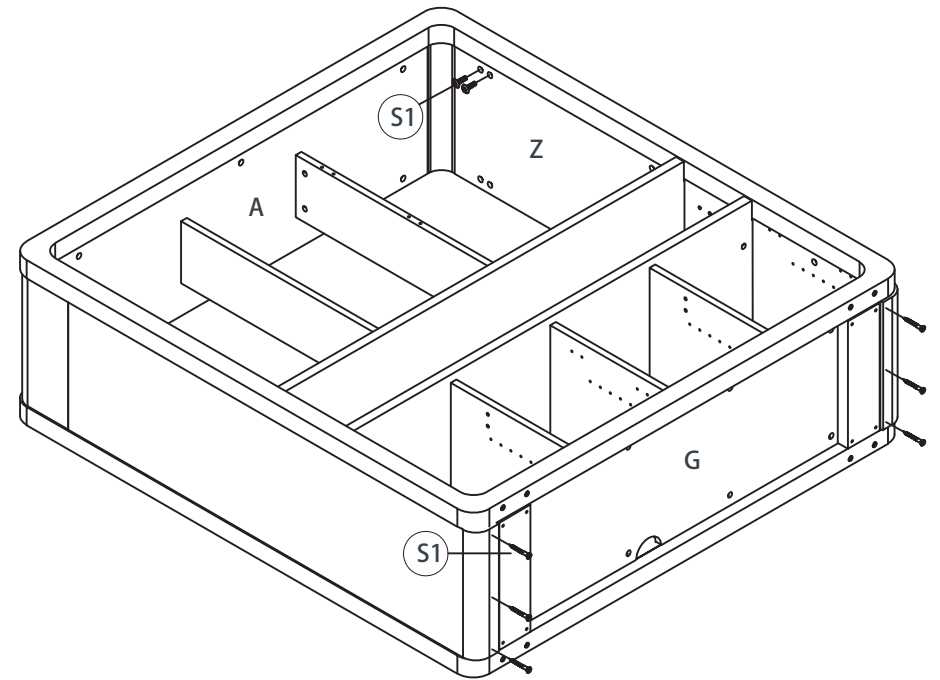
### STEP 11:



#### Panel X, Z assembly.

1. Insert cam bolts C2 and dowel pins D1 on panel X, Z into cams on panel F1, F2 and tighten in a clockwise direction as illustrated above.

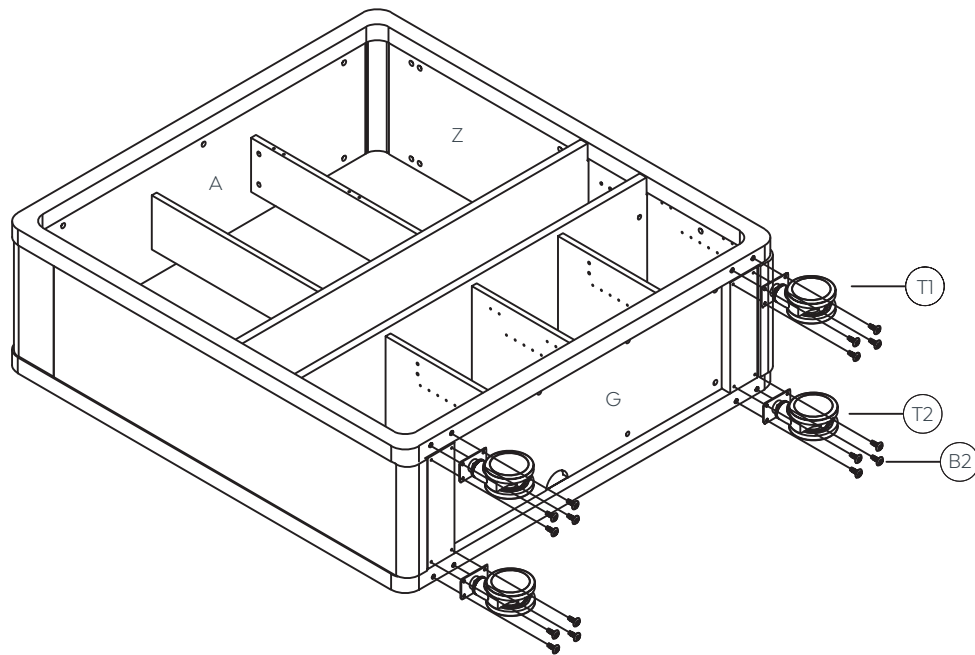
### STEP 12:



1. Insert Fix Bolt B1 on panel A, X, Z into cams on eva and tighten in a clockwise direction as illustrated above.
2. Install the aluminum piece and G panel together with Screw S1 as illustrated above.

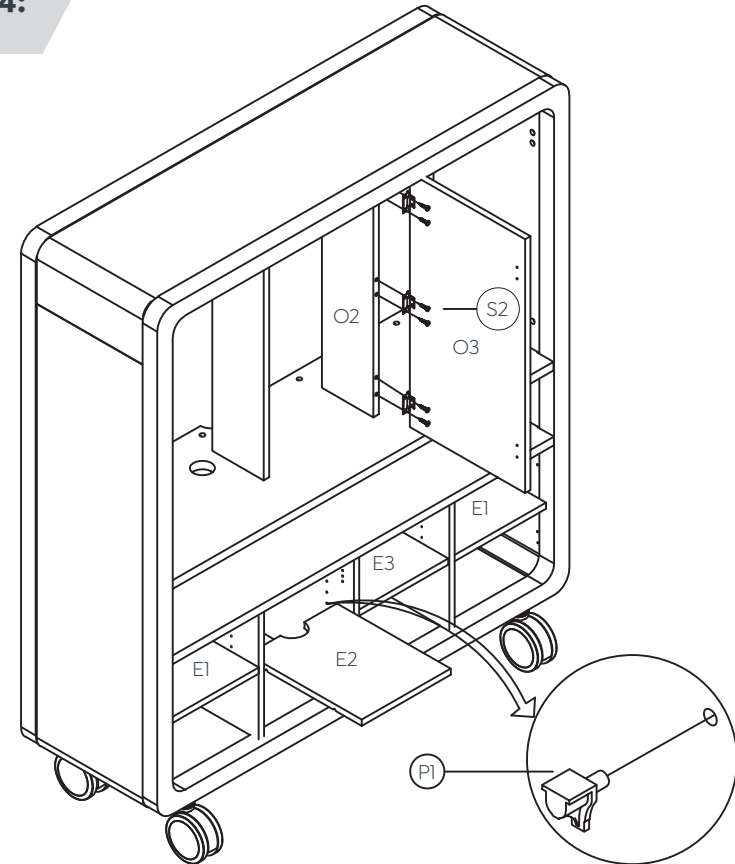


## STEP 13:



1. Install castors T1 and T2 using screws B3.

## STEP 14:



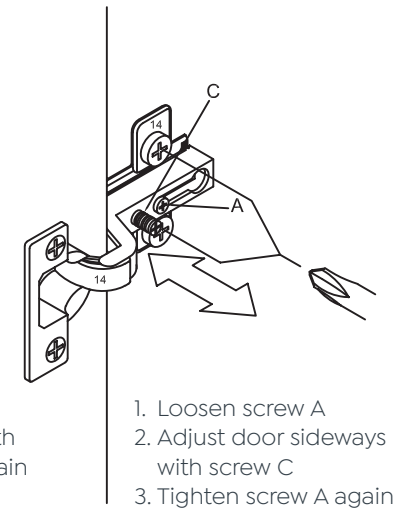
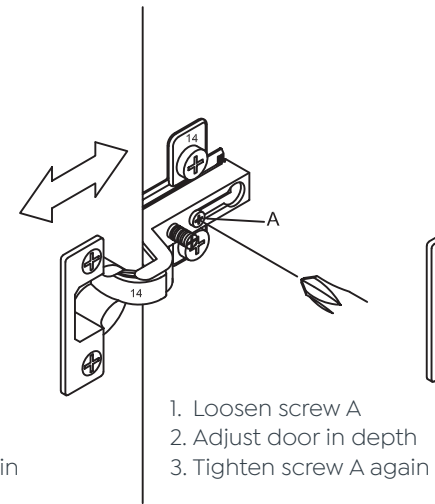
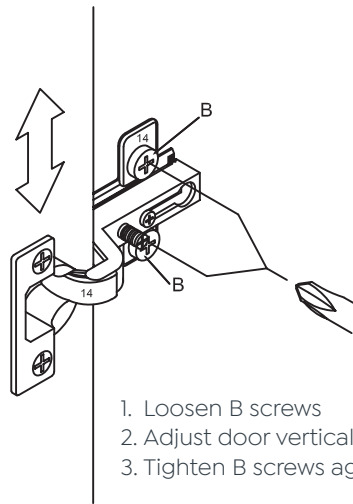
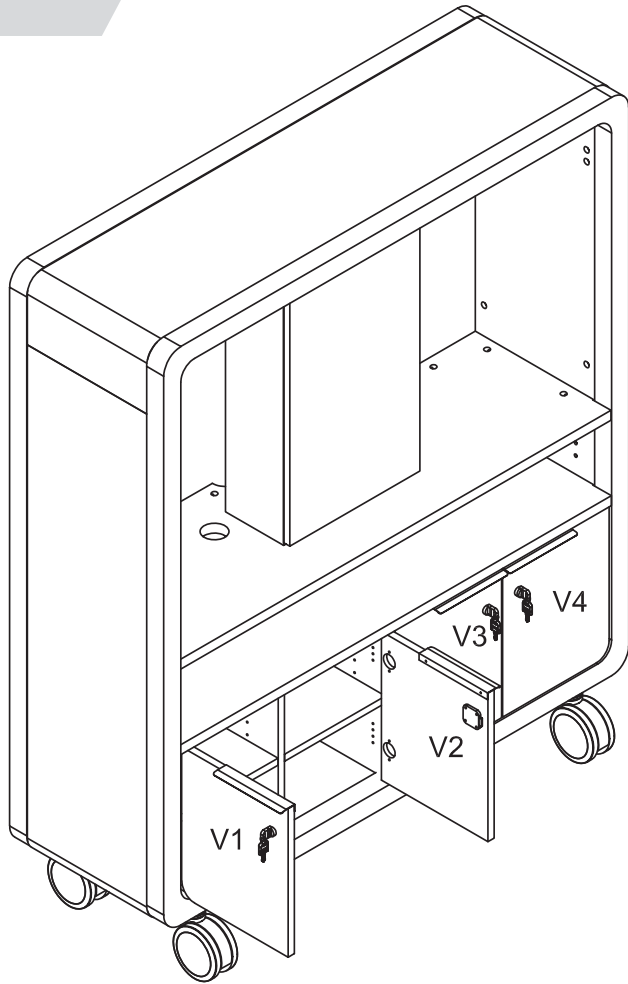
### Moveable shelf E assembly.

1. Insert threaded dowel pins P1 into panels X, Y and Z as illustrated above.
2. Put the two panels E on the top of threaded dowel pins P1 as illustrated above.

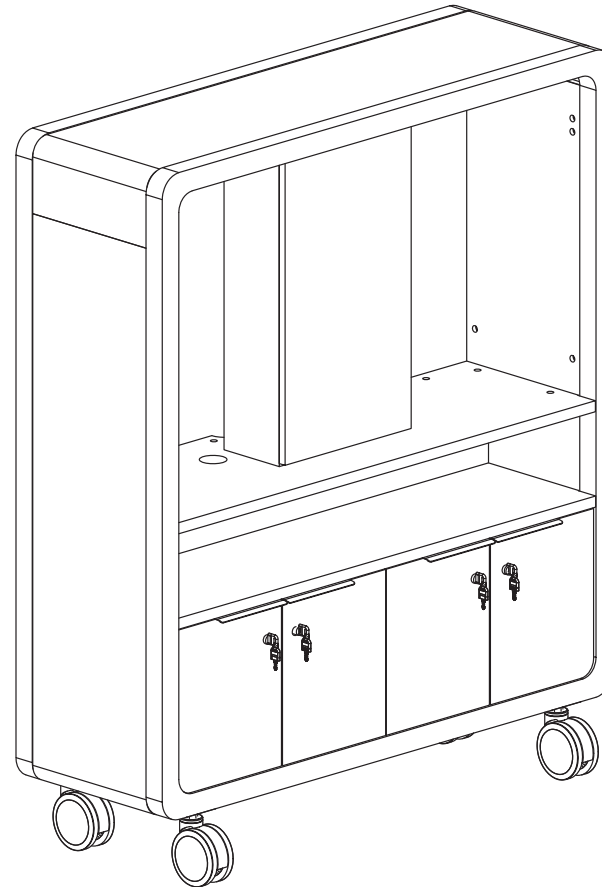
# Rover Range (50-ROMTVC-1416)

## Assembly Instructions

### STEP 15:



**Complete:**



Remove all QC and panel labels and wipe clean using a damp cloth and general household cleaner.

# TV Bracket

## Components List



4 x M6x35mm

A



4 x M10x50mm

B



4 x M4x50mm

C



4 x M6x20mm

D



4 x M8x20mm

E



8 x ØD6 & D5

F



4 Pcs

G



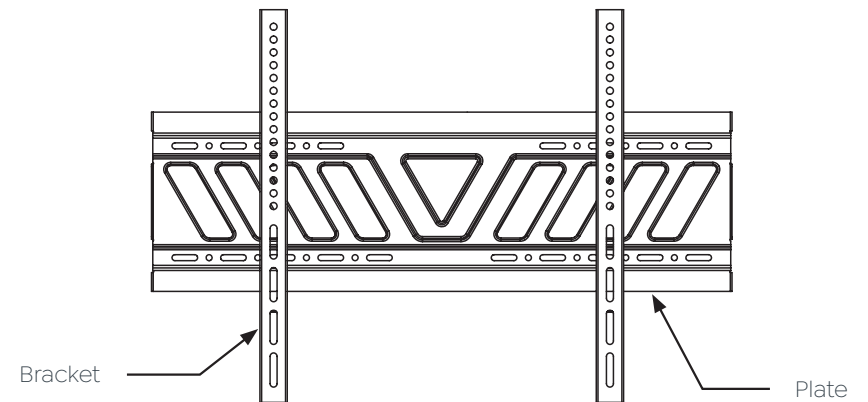
2 x M5x40mm

H

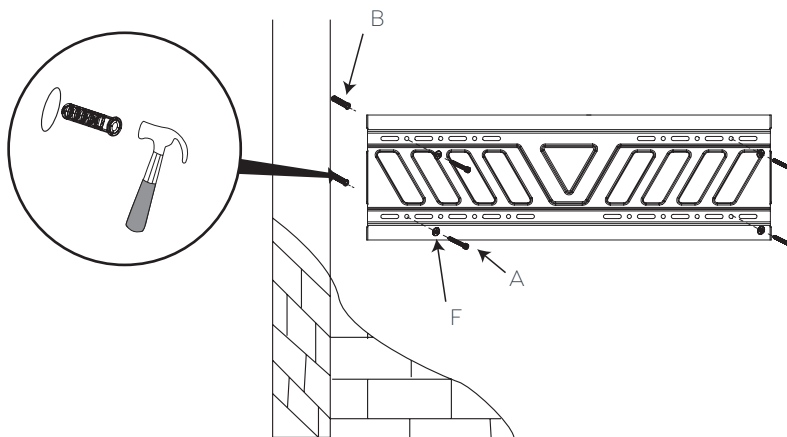
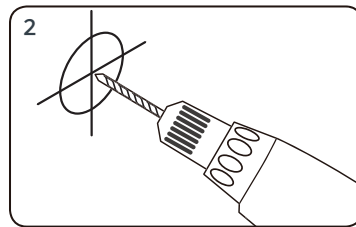
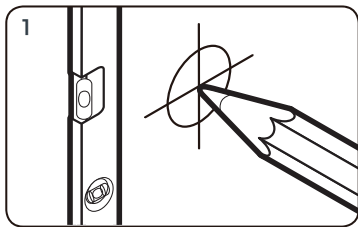


1 Pc

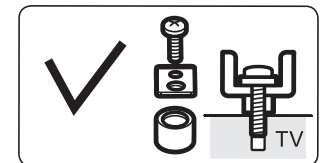
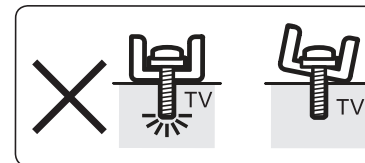
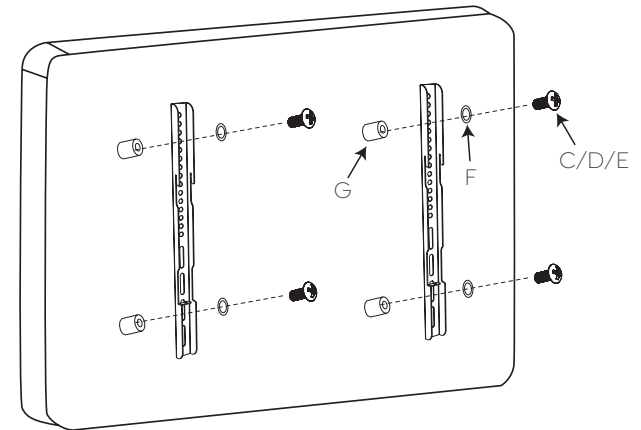
I



### STEP 1:



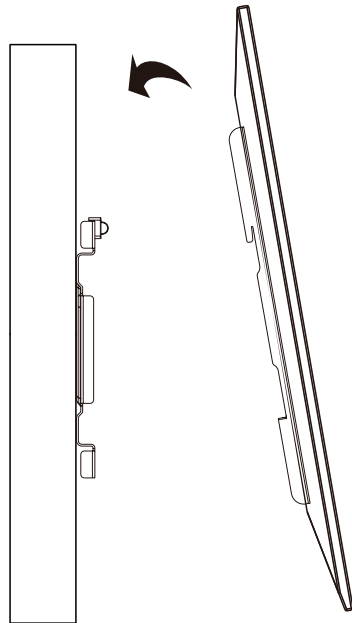
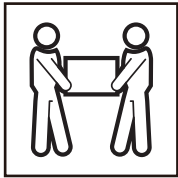
### STEP 2:



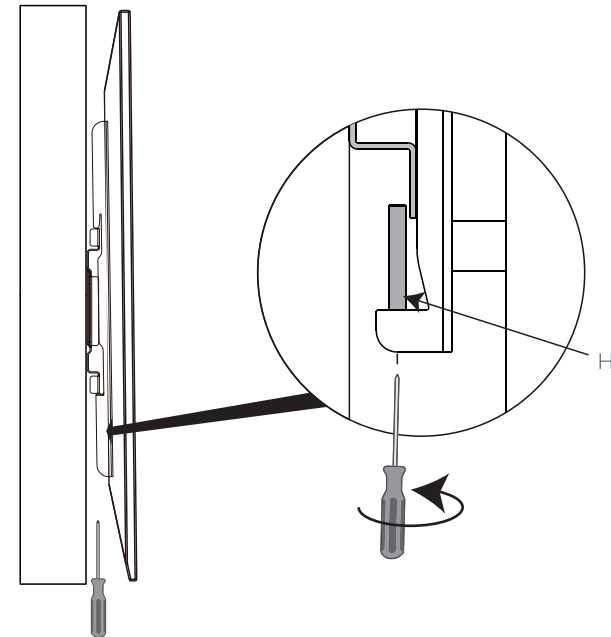
# TV Bracket

## Assembly Instructions

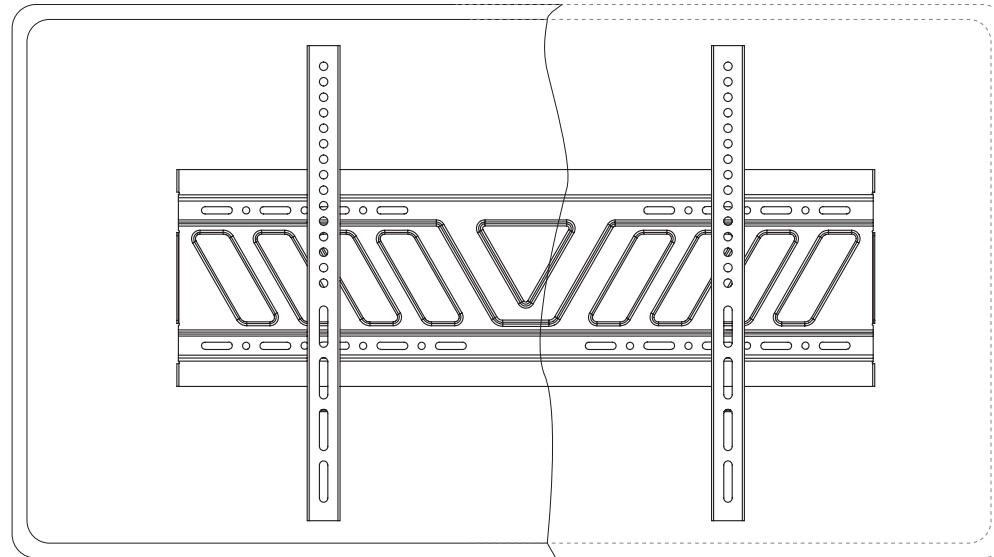
### STEP 3:



### STEP 4:



**Complete:**





**Sydney** 02 8188 2732

**Melbourne** 03 9111 0315

**Brisbane** 07 3733 1923

**Adelaide** 08 7111 0810

**Perth** 08 9468 2707

[info@olgoffice.com](mailto:info@olgoffice.com)

[myolg.online](https://myolg.online) | [olgoffice.com](https://olgoffice.com) | [officedesigner.net](https://officedesigner.net) | [motionoffice.com](https://motionoffice.com)