

OLG



Tilly Task Chair

Assembly Instructions

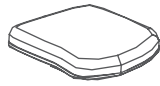
Tilly Task Chair

Components List



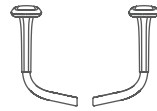
Back Frame

A



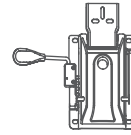
Seat

B



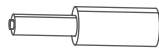
Arms

C



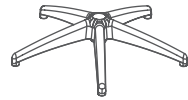
Seat Mechanism

D



Gas Cylinder

E



Base

F



5 x Castors

G



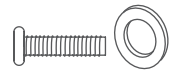
4 x M6x20mm

H



6 x M6x30mm

I



3 x M8x40mm

J



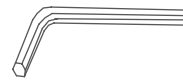
10 x ø6x16

K



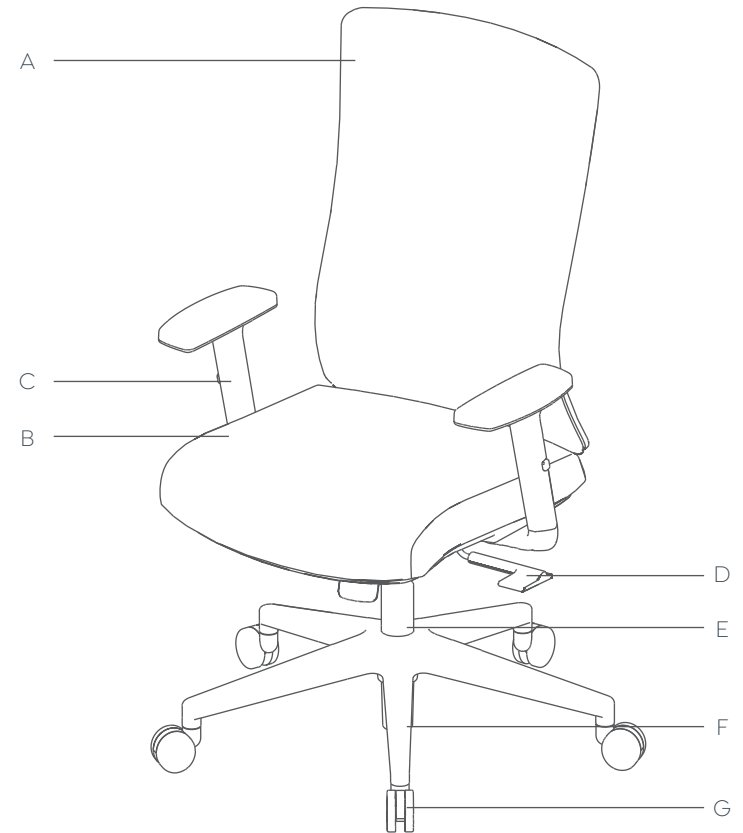
3 x ø8x20

L

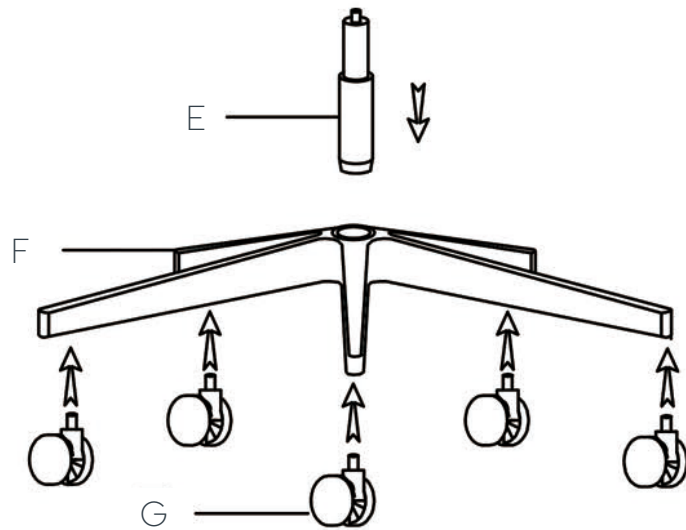


1 x M6

M

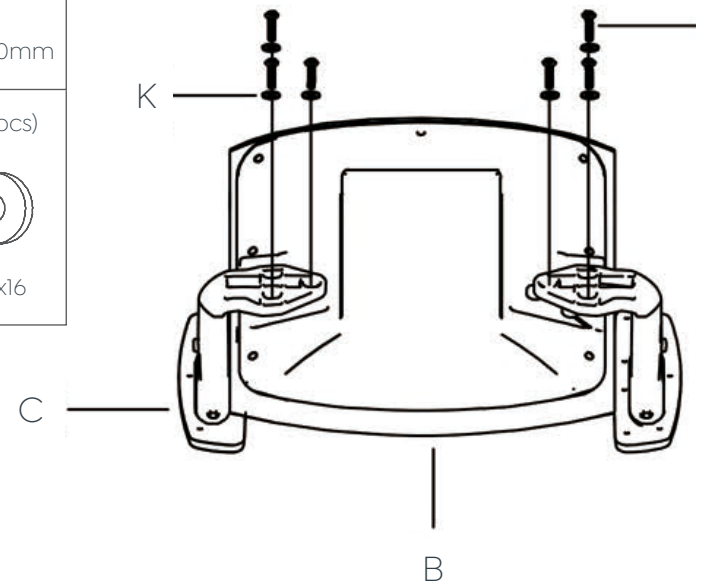


STEP 1:



STEP 2:

- I (6pcs)
- M6x30mm
- K (6pcs)
- ø6x16



Tilly Task Chair

Assembly Instructions

STEP 3:

H (4pcs)

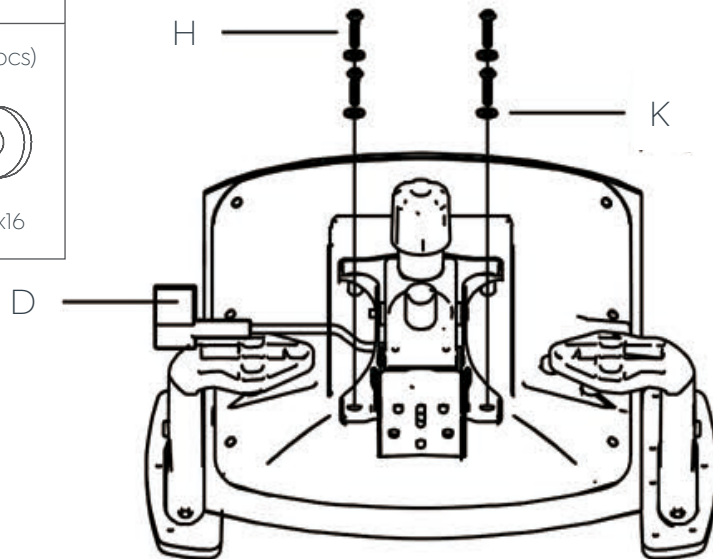


M6x20mm

K (4pcs)



ø6x16



STEP 4:

J (3pcs)

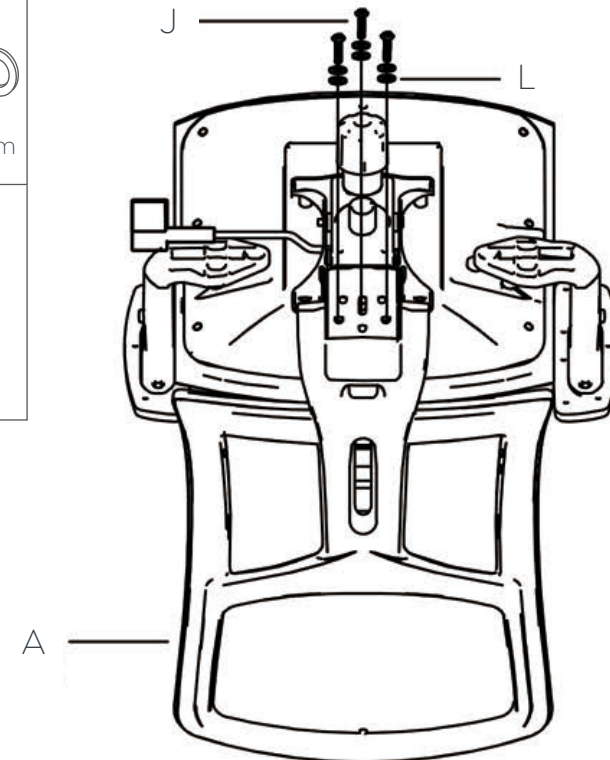


M8x40mm

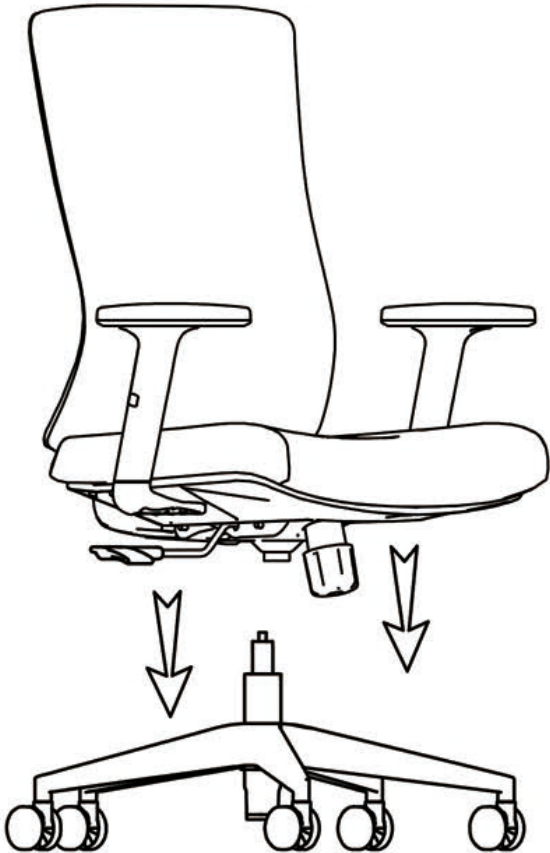
L (3pcs)



ø8x20



STEP 5:



Complete:





Sydney 02 8188 2732

Melbourne 03 9111 0315

Brisbane 07 3733 1923

Adelaide 08 7111 0810

Perth 08 9468 2707

info@olgoffice.com

myolg.online | olgoffice.com | officedesigner.net | motionoffice.com