

OLG

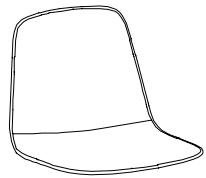


Sofia Barstool Chair

Assembly Instructions

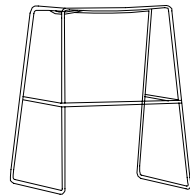
Sofia Barstool Chair

Components List



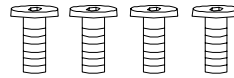
Back Rest & Seat

A



Base

B



4 x M8*16mm

C



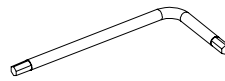
4 x Ø20*3mm

D



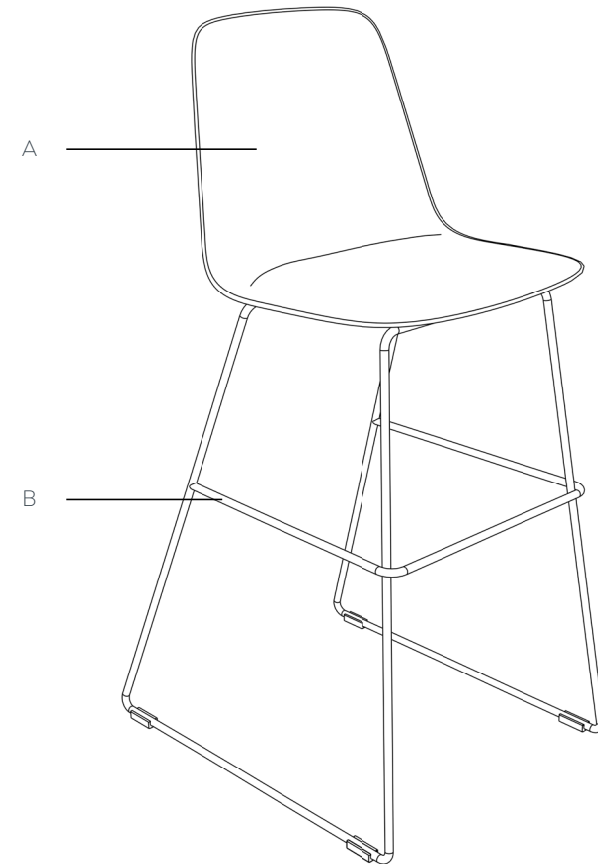
4 x M8

E

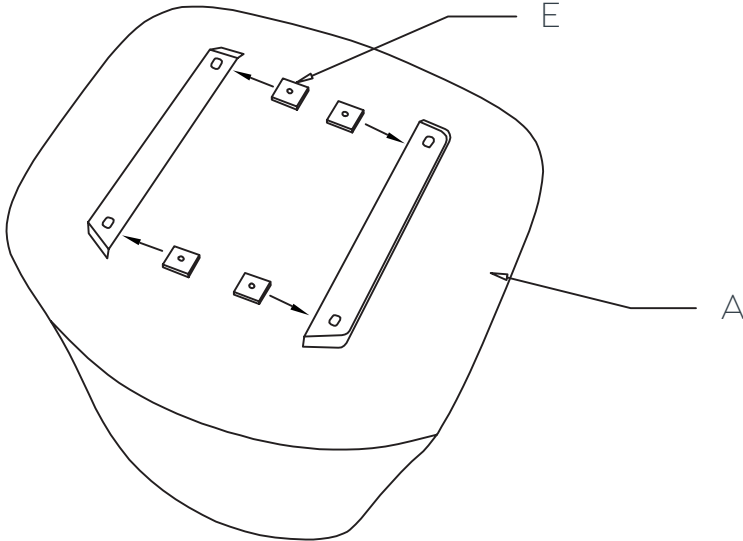


1 x 5mm

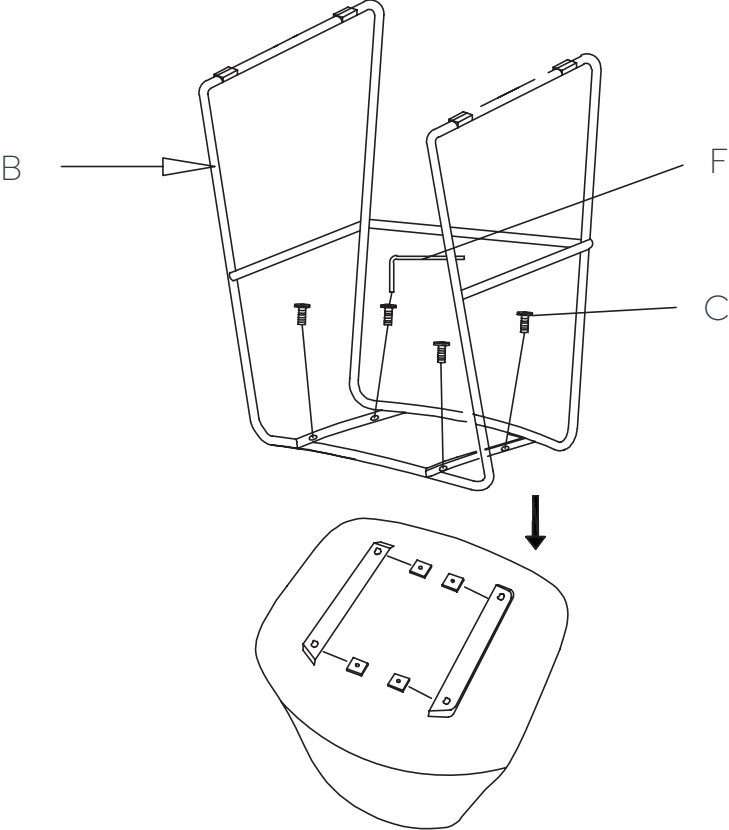
F



STEP 1:



STEP 2:



Sofia Barstool Chair

Assembly Instructions

Complete:





Sydney 02 8188 2732

Melbourne 03 9111 0315

Brisbane 07 3733 1923

Adelaide 08 7111 0810

Perth 08 9468 2707

info@olgoffice.com

myolg.online | olgoffice.com | officedesigner.net | motionoffice.com