

Knox Locker (50-LK2D)

Assembly Instructions

Knox Locker (50-LK2D)

Components List



30 x 6x35mm
Cam Bolt

C1



40 x 4x16mm
Screw

S1



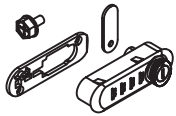
28 x 8x30mm
Dowel Pin

D1



30 x 5/8"
Cam Cover

C2



2pcs Lock

L1



2pcs Lock
Catch

L2



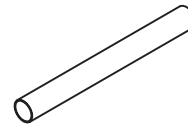
4pcs Hinge

H1



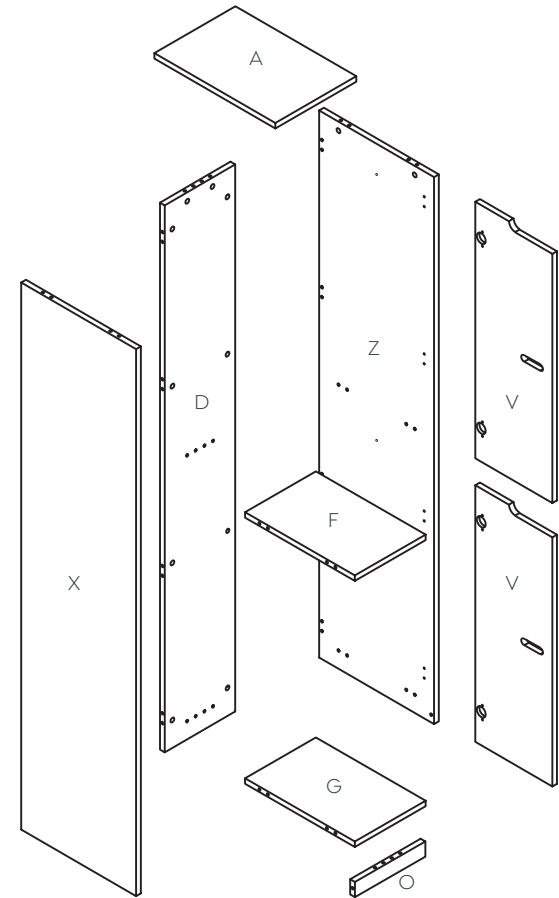
4pcs Clothes
Holder

H2

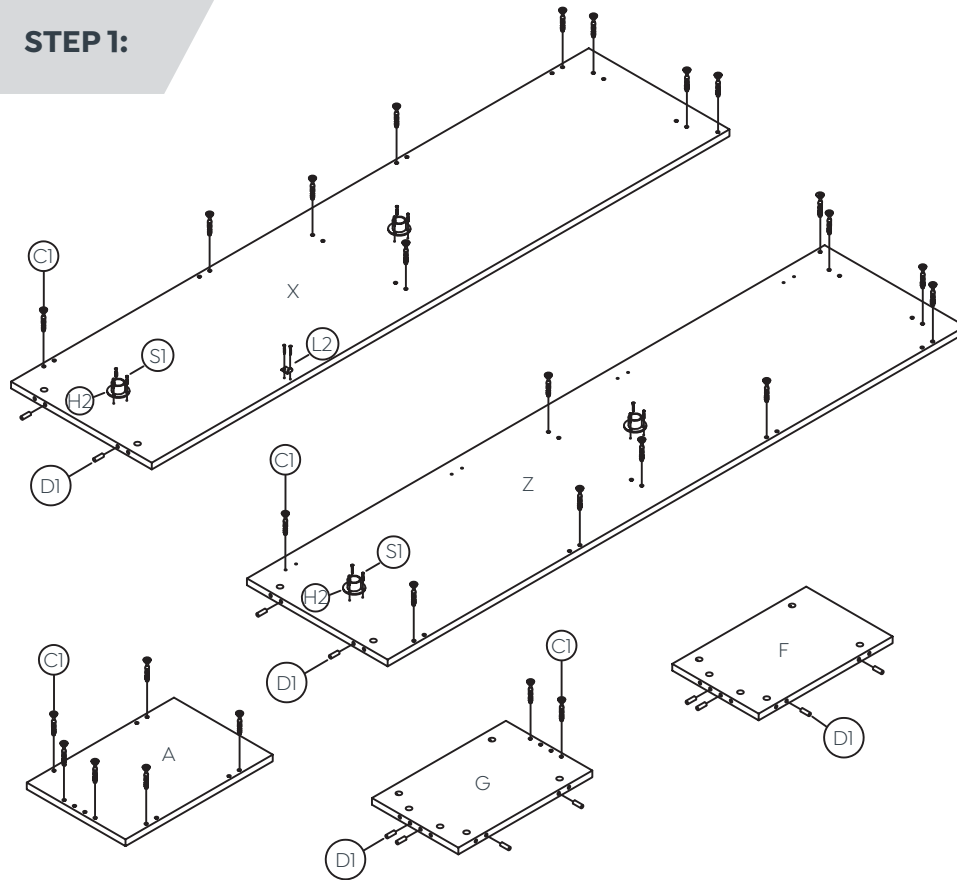


2pcs Clothes
Hanger

H3



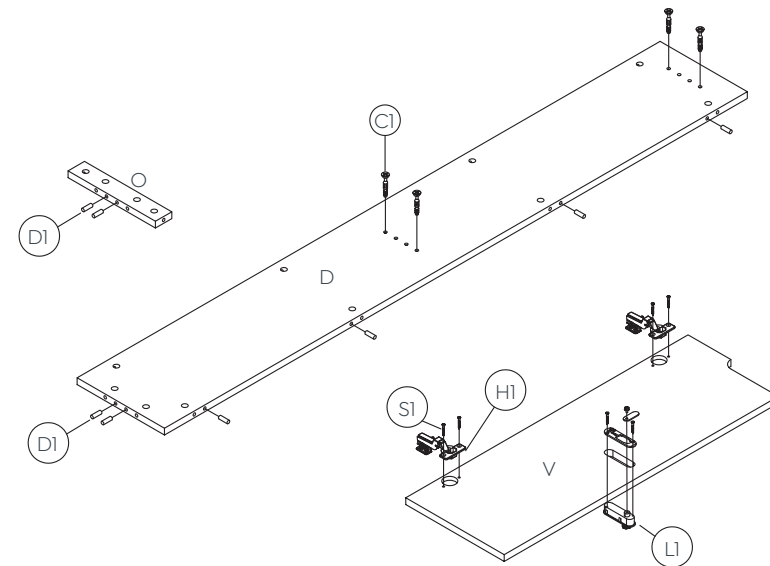
STEP 1:



Preparation for panels X, Z, F, A, G.

1. Insert cam bolts C1 into panels X, Z, A and G as illustrated above.
2. Insert dowel pins D1 into panels F, X, Z and G as illustrated above.
3. Fix lock catch L2 to panel X with screw S1 as illustrated above.
4. Fix clothes holder H2 to panel X and Z with screw S1 as illustrated above.

STEP 2:



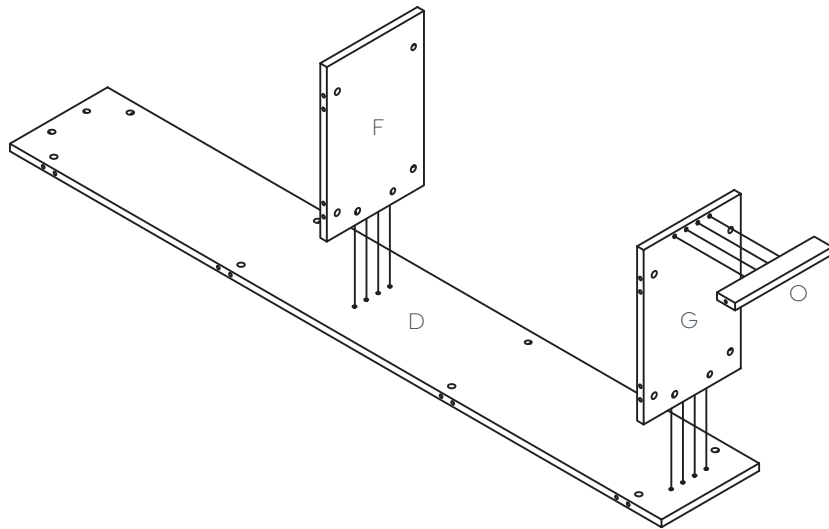
Preparation for panels V*2, O, D.

1. Insert cam bolts C1 into panels D as illustrated above.
2. Insert dowel pins D1 into panels D and O as illustrated above.
3. Fix lock L1 to panel V with screw 3.5x20 as illustrated above.
4. Fix hinge bodies H1 to panel V with screws S1 as illustrated above.

Knox Locker (50-LK2D)

Assembly Instructions

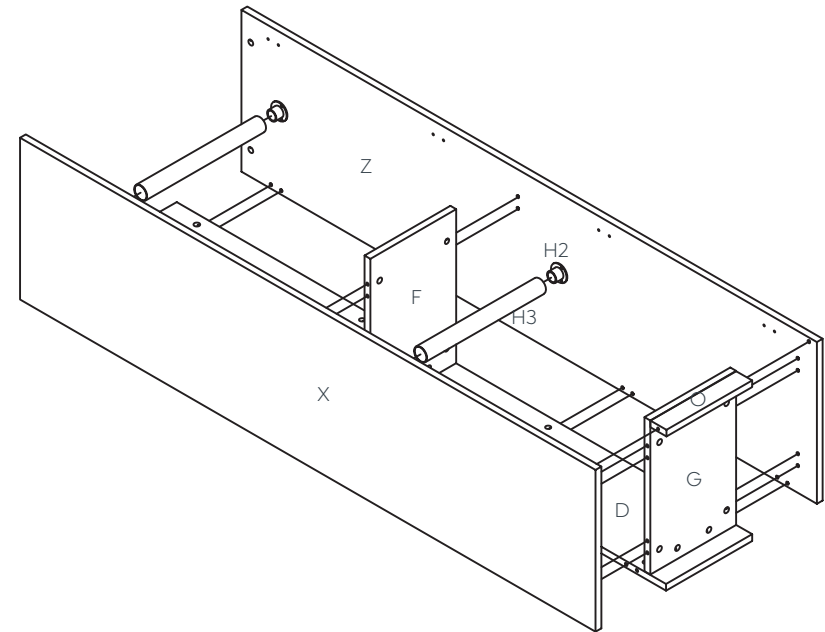
STEP 3:



Panels O, F, G and D assembly.

1. Insert cam bolt C1 on panel O into cams on panels G and tighten in a clockwise direction as illustrated above.
2. Insert cam bolt C1 on panel F and G into cams on panel D and tighten in a clockwise direction as illustrated above.

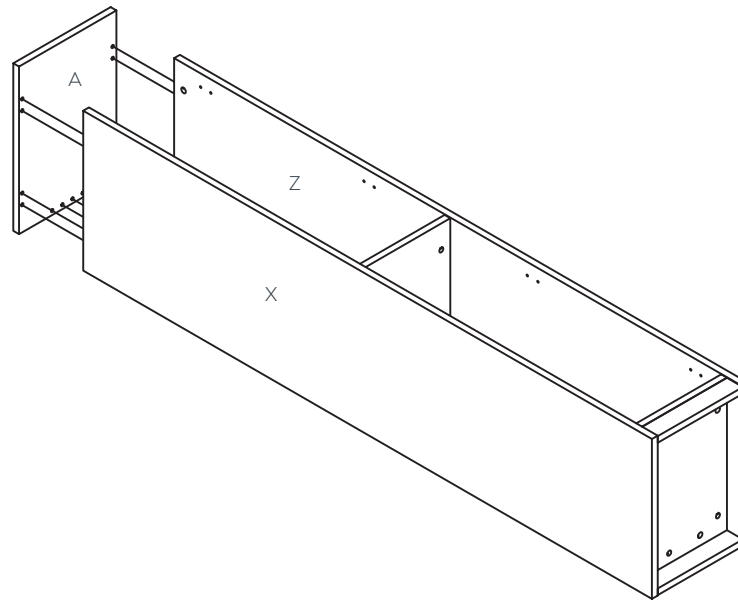
STEP 4:



Panels X and Z assembly.

1. Insert cam bolt C1 on panel X and Z into cams on panels O, G, F and D and tighten in a clockwise direction as illustrated above.
2. Put the clothes hanger H3 into the clothes holder H2 as illustrated above.

STEP 5:



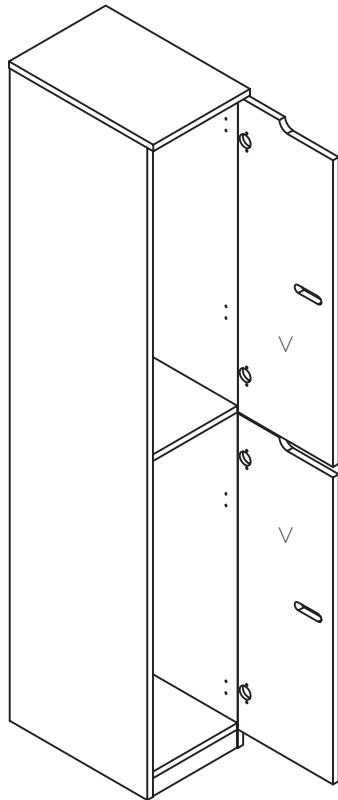
Panel A assembly.

1. Insert cam bolts C1 on panel A into cams on panels X, Z and D and tighten in a clockwise direction as illustrated above.

Knox Locker (50-LK2D)

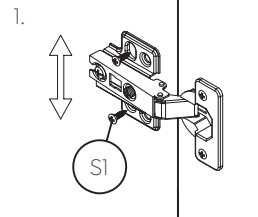
Assembly Instructions

STEP 6:

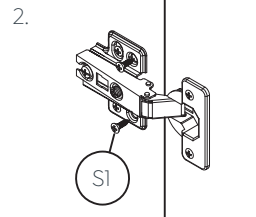


Door Panel V allocate with Hinge H1 assembly

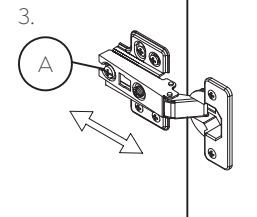
Hinge assembly details as below:



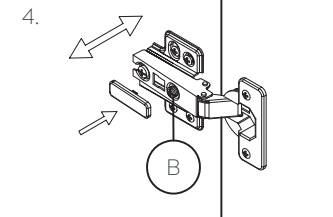
1. Fix the screws S1 into the predrilled hole shown above, and then adjust the door panel upward and downward to the right location.



2. Fix the rest 2 pcs screws S1 to the panel to consolidate the hinge shown above.

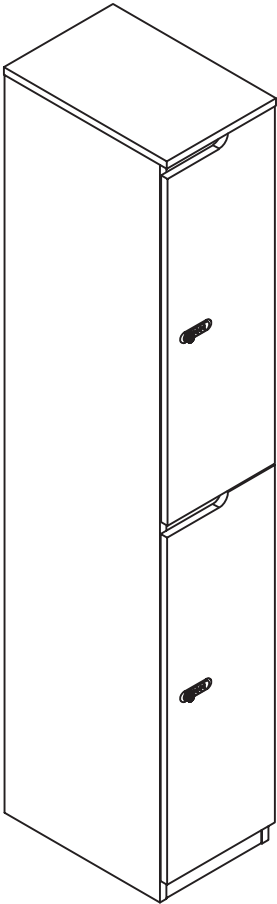


3. Loosen the screw A to adjust the forward and backward of the door panel to the right location, and then tighten the screw A.



4. Loosenthe screw B to adjust the leftward and rightward of the door panel to the right location, and finally cover the hinge with the cap.

Complete:





Sydney 02 8188 2732

Melbourne 03 9111 0315

Brisbane 07 3733 1923

Adelaide 08 7111 0810

Perth 08 9468 2707

info@olgoffice.com

myolg.online | olgoffice.com | officedesigner.net | motionoffice.com