

Sprint Podium

Assembly Instructions

Sprint Podium

Components List

WARNING

1. Do NOT exceed the rated load, otherwise it may cause damage to the table or personal injury.
2. This product contains small accessories. If swallowed, it may cause serious personal injury. Please keep it out of the reach of children.
3. This product is only for indoor use. Outdoor use may lead to product damage.
4. Do NOT scratch the desktop with hard tools to avoid damaging it.

MAINTENANCE

1. Please check manually every other period of time (at least half a year) whether the connection of each component is firm, and whether any screws fall off due to long-term use. If there is a potential safety hazard, please replace it in time.
2. Use a slightly wet soft cloth to clean the desktop, but do NOT use too much water or soak to avoid water seepage and expansion around the edges.
3. Neutral detergent or toothpaste can be used to clean stains, and corrosive chemical solvents are not allowed.



M6 x 16
7 Pcs



M6 x 12
2 Pcs



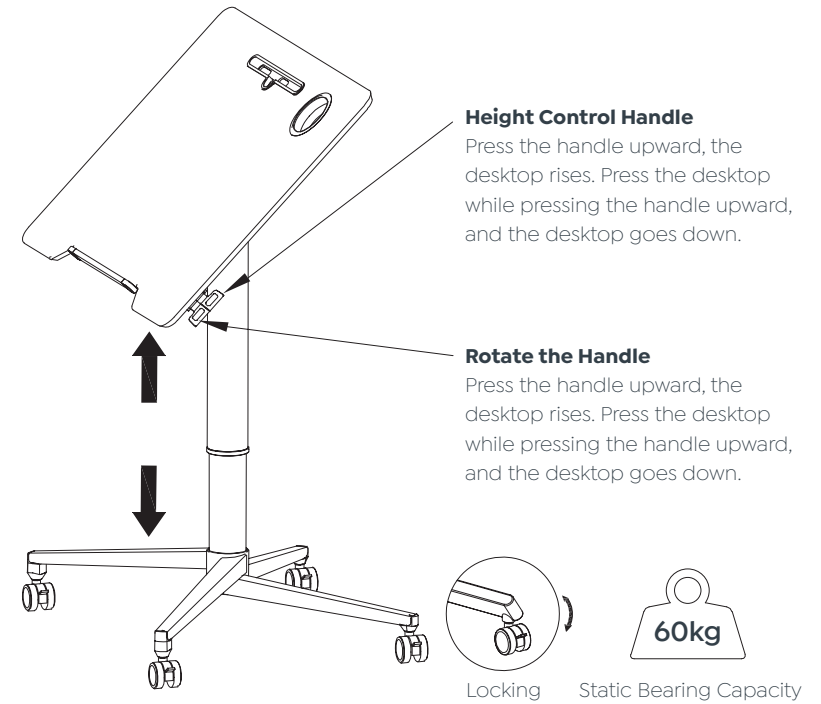
H4
1 Pc



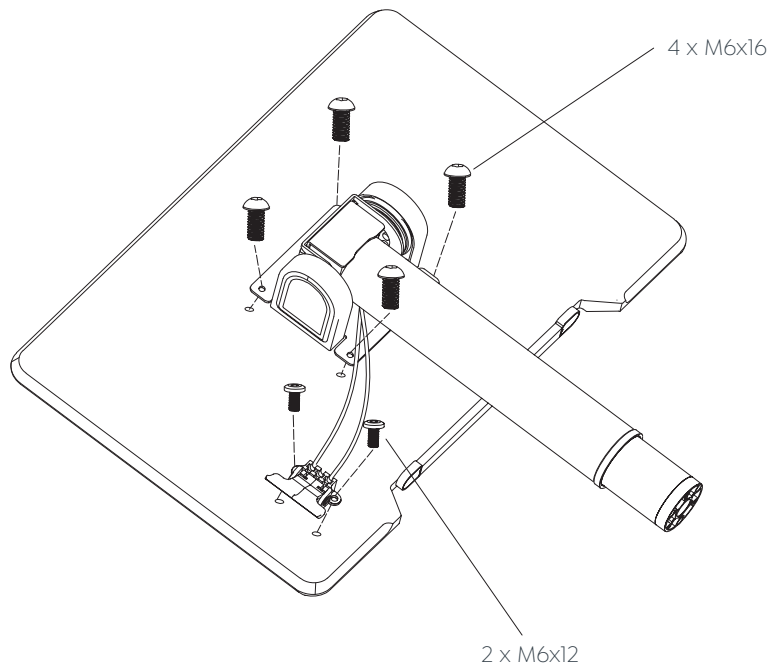
Castors
4 Pcs



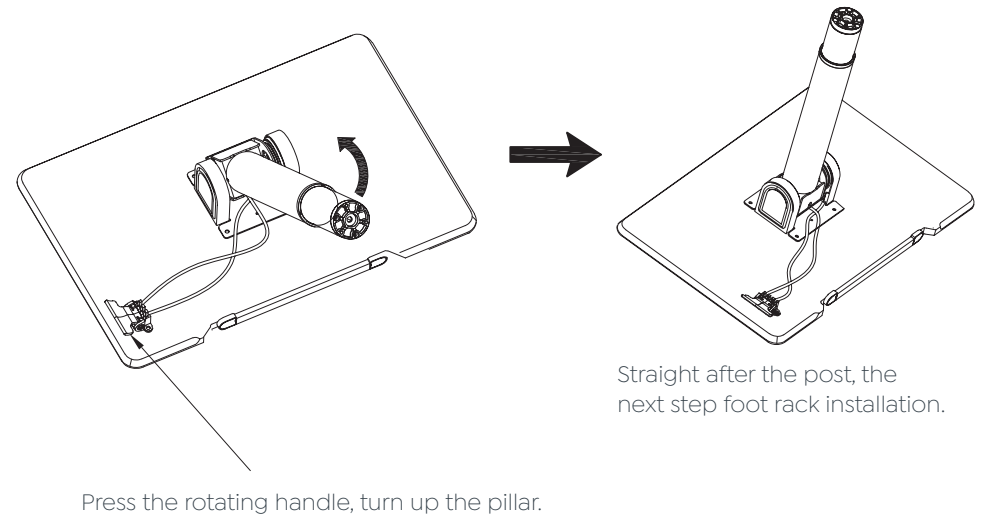
Ø 6
3 Pcs



STEP 1:



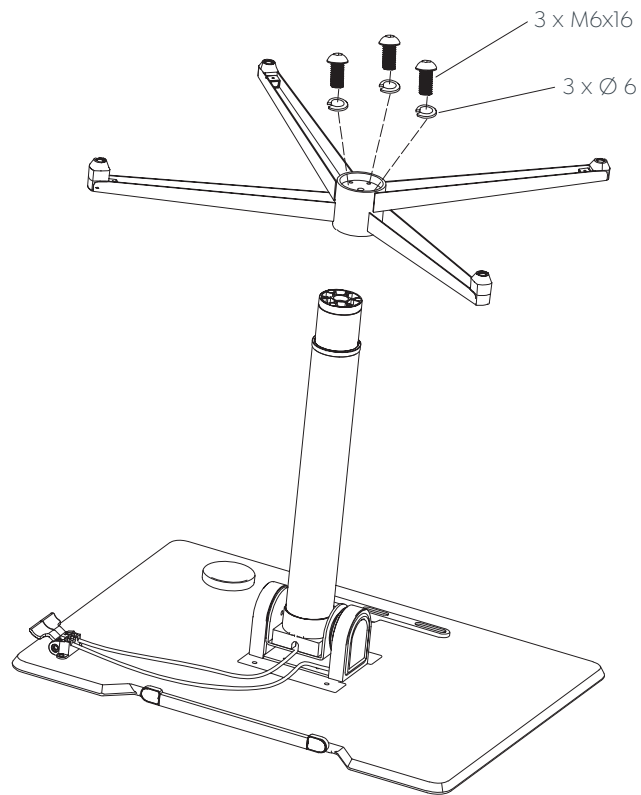
Step 2:



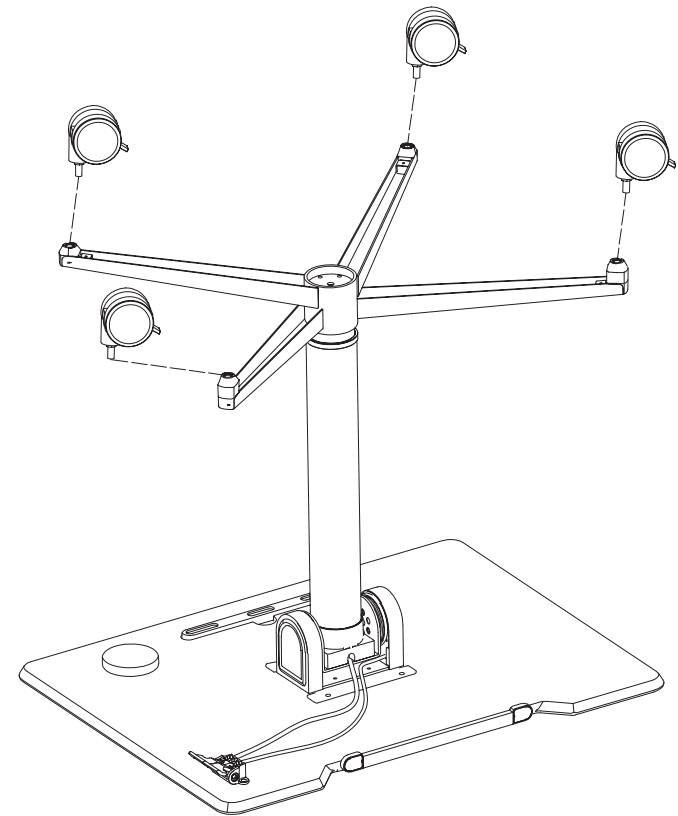
Sprint Podium

Assembly Instructions

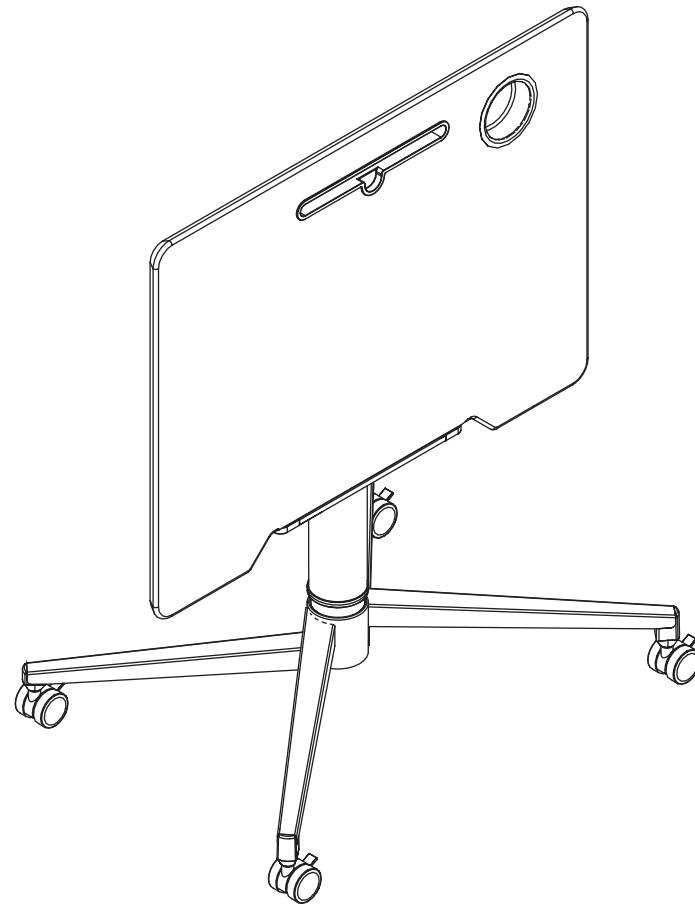
STEP 3:



STEP 4:



Complete:





Sydney 02 8188 2732

Melbourne 03 9111 0315

Brisbane 07 3733 1923

Adelaide 08 7111 0810

Perth 08 9468 2707

info@olgoffice.com

myolg.online | olgoffice.com | officedesigner.net | motionoffice.com