



Studio50 Shelf.

Studio Screen Shelf with solid ends 243mm high, 600mm wide x 300mm deep panel. Adjustable along width of screen, hangs off transom. Must be more than 360mm above worktop.



Features

Manufactured in White powder-coated uprights that hook in to the Studio 50 screen frame

Can be secured at any height with the custom-made shelf brackets and once installed the shelf can be easily moved to a new position

Supplied with 4 Chrome hoop shelf dividers and powder coated steel mounting strips and brackets

Easy to assemble and fit

Colour Options



Black

White

Silver



Dimensions

Self Dimensions

Overall Width 600 mm

Overall Depth 290 mm

Shelf Thickness 25 mm

Chrome Hoop Height 200 mm

Bracket Dimensions

Overall Width 150 mm

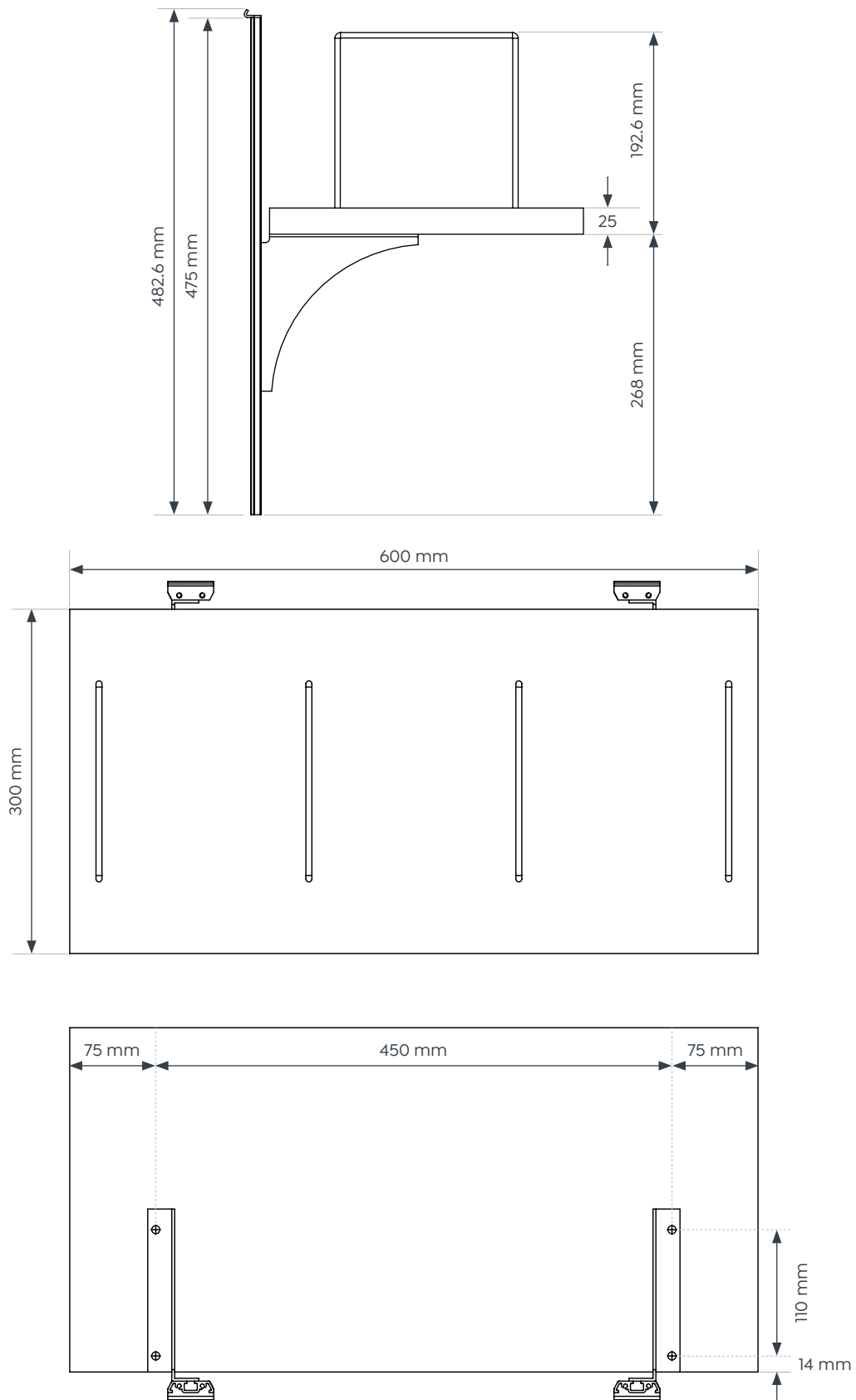
Overall Height 150 mm

Bracket Arch R 150

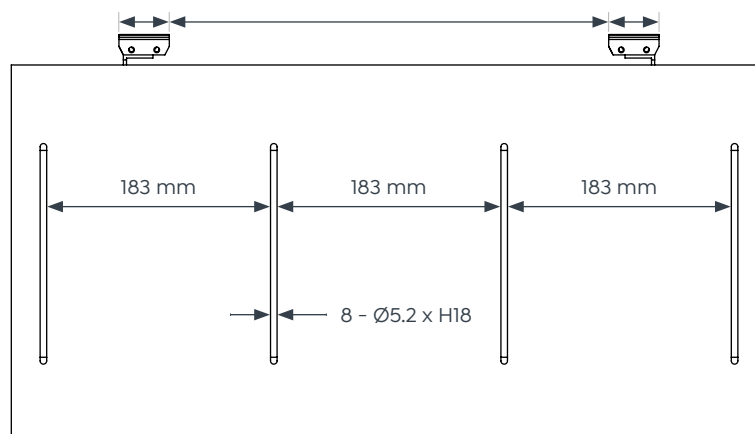
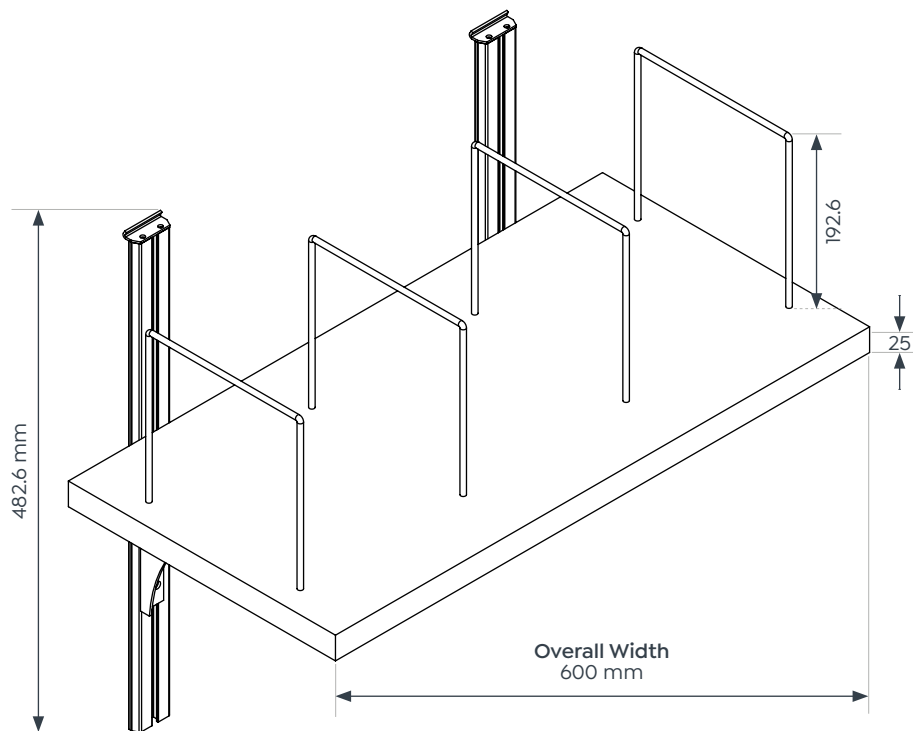
Studio50 Shelf.

Dimensions

Shelf Dimensions



Dimensions



Dimensions

Bracket Dimensions

