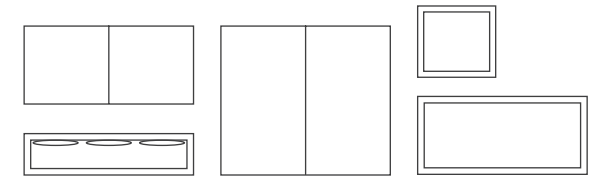
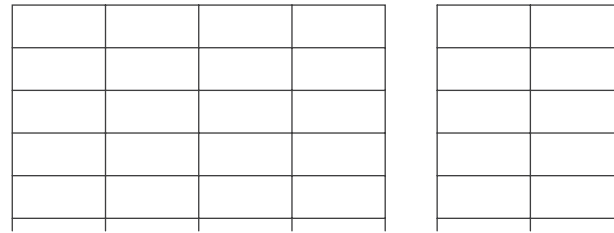
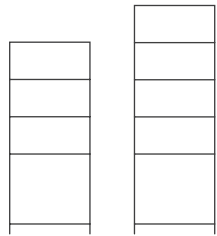




How Rhodes Modular Shelving Works



Begin With Choosing Frame Height

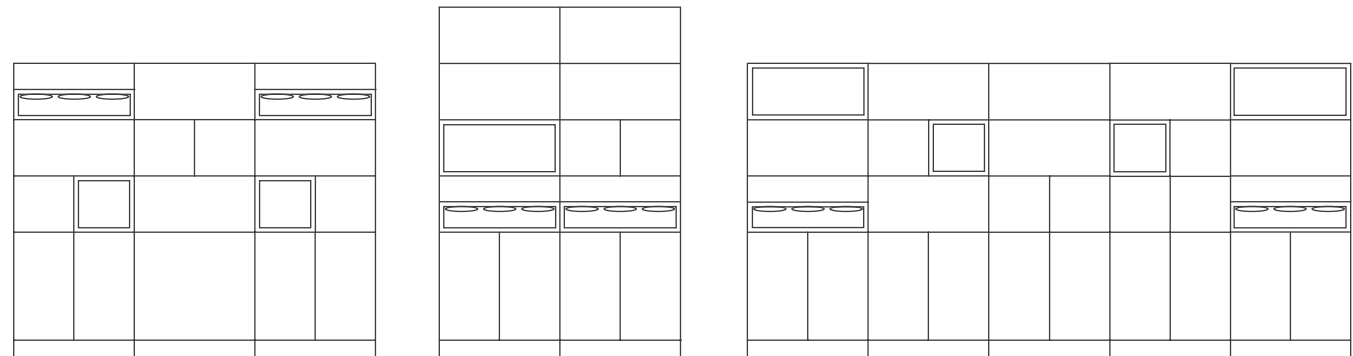
Choose from Height: 1234mm, 1617mm, 2000mm or 2383mm

Choose The Width Of Your Configuration

Choose your width 1 Bay wide, 2 Bay wide and so on (every bay comes with standard shelves).

Choose Melamine Finish And Finalise Your Configuration

Choose your number of cubbies (small or large), cupboards (small or large) & inset planter or top shelf planter (small or large).



Colour Option:

Frame



Black

Melamine Finish



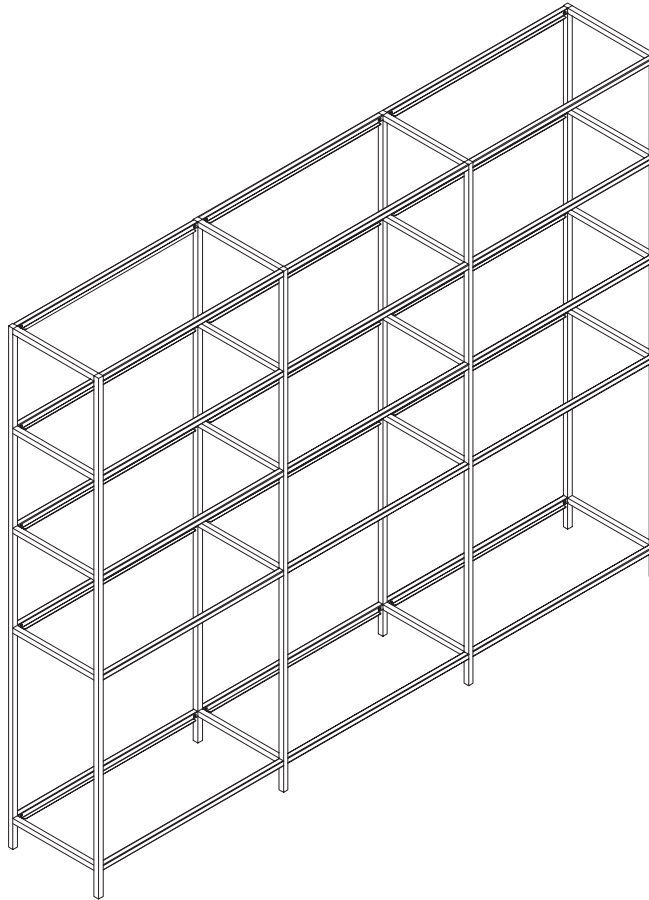
Nordic
Maple



New Oak

Choose Your Favorite Layout And Place In Your Chosen Spot

*For safety reasons, we recommend securing your Rhodes shelving unit to walls or ceilings using angle brackets.

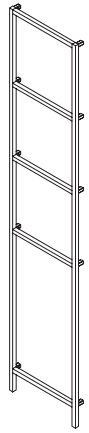


Rhodes Modular Shelving (Frame 03) 2Mtr High

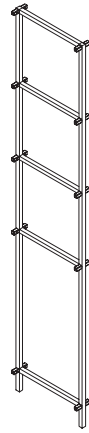
Assembly Instructions

Rhodes Modular Shelving (Frame 03) 2Mtr High

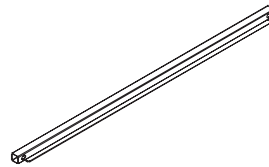
Components List



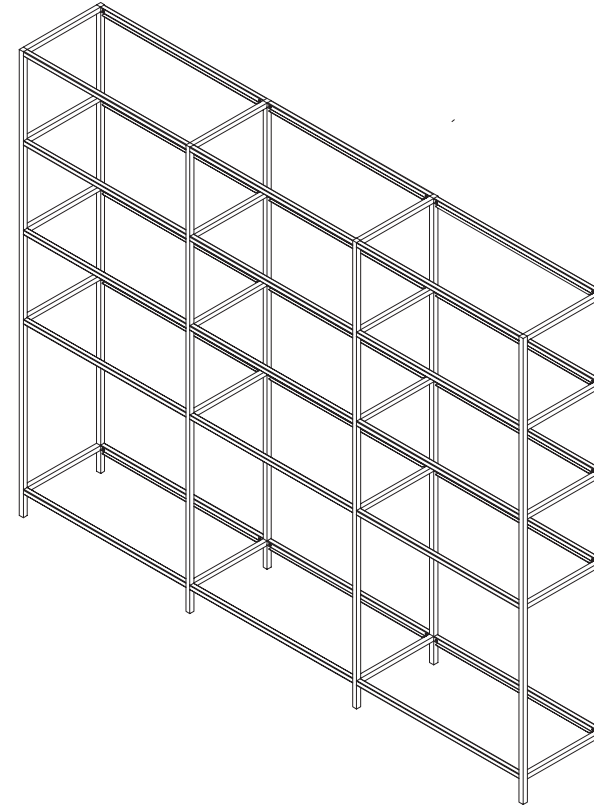
2 x 50-MS2ENDFR200



2 x 50-MS1MIDFR200

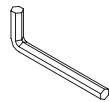


30 x 50-MS1ORAIL80



60 x M6x10

Tool:



1 x Hex Key

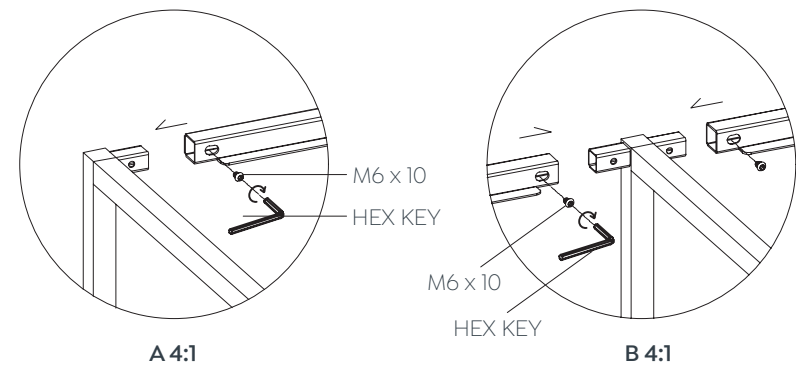
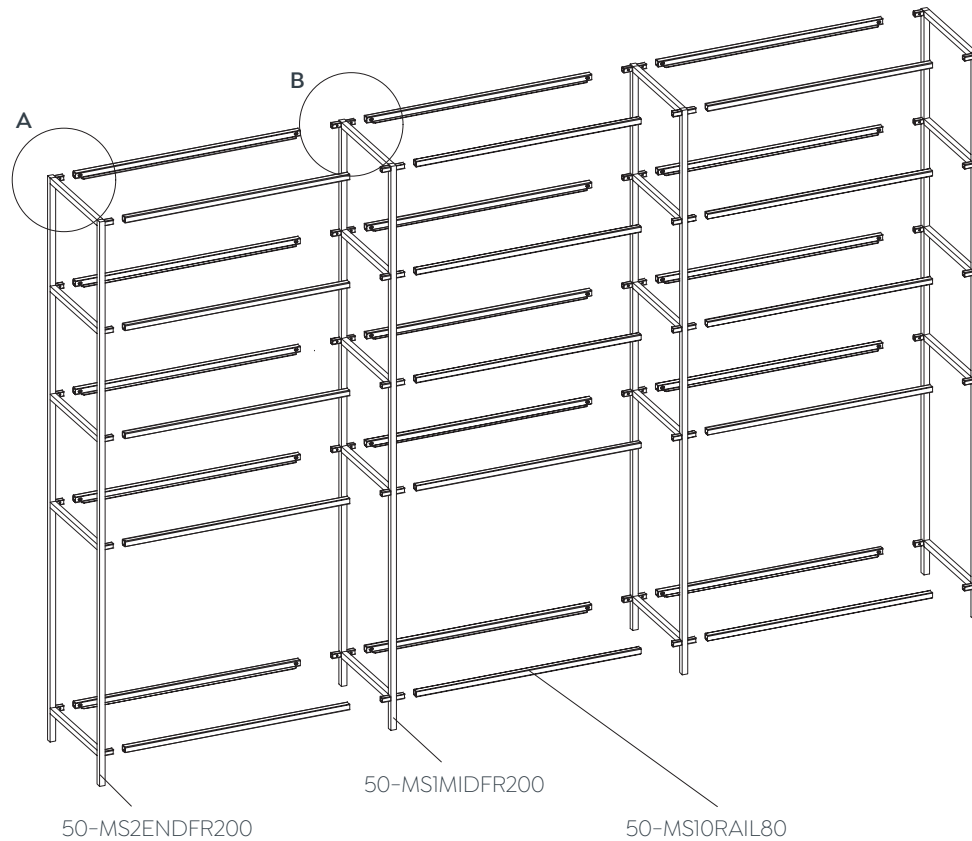
Note: This 3 Bay assembly is an example of how Rhodes modular shelving is assembled, and the component quantities will vary depending on how many bays you order.

Disclaimer: For safety reasons, we recommend securing your Rhodes shelving unit to walls or ceilings using angle brackets. Please ensure rails are tightly fitted to the lug before fixing with the bolt to help with frame alignment. It will help to have a 2nd person help by pushing the frame in while fixing the screw with a power tool.

Rhodes Modular Shelving (Frame 03) 2Mtr High

Assembly Instructions

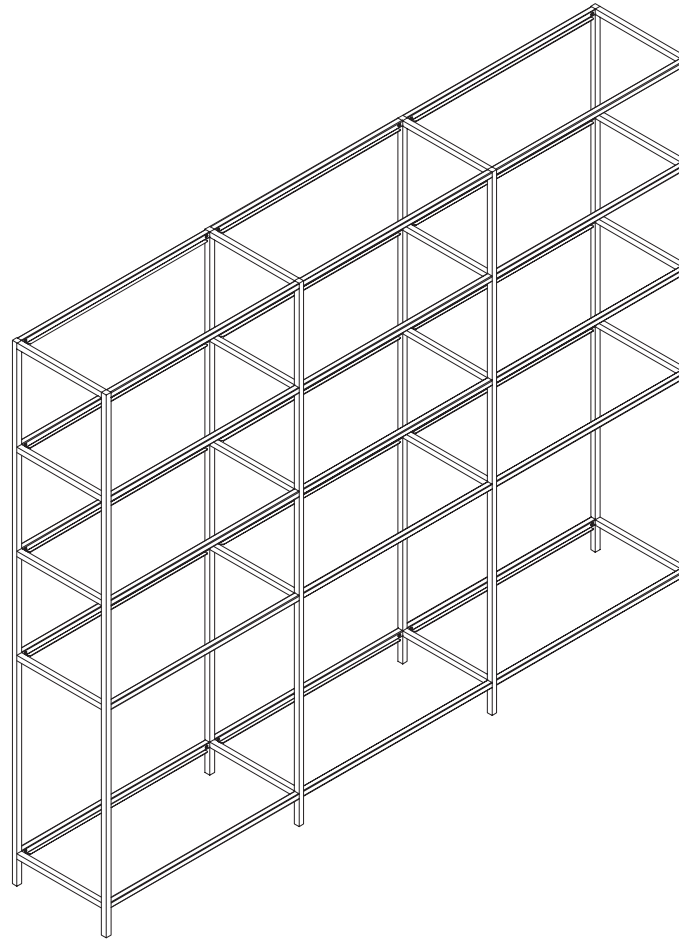
STEP 1:



Rhodes Modular Shelving (Frame 03) 2Mtr High

Assembly Instructions

Complete:





Sydney 02 8188 2732

Melbourne 03 9111 0315

Brisbane 07 3733 1923

Adelaide 08 7111 0810

Perth 08 9468 2707

info@olgoffice.com

myolg.online | olgoffice.com | officedesigner.net | motionoffice.com