

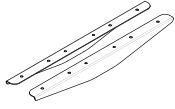
Klass 90° Workstation.

Assembly Instructions

Klass 90° Workstation

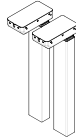
Components List

A



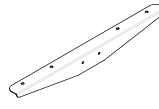
2 x Inside Bracket

B



2 x Column

C



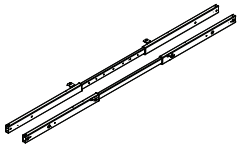
1 x Outside Bracket

D



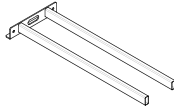
1 x Column w/ Leveling Pad

E



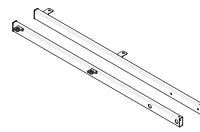
2 x Telescopic Frame

F



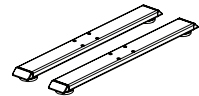
1 x Short Girder

G



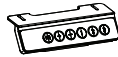
2 x Rail

H



2 x Foot

I



1 x Switch

J



1 x Control Box

K



1 x Power Cord

L



1 x Extension Cable

M



8 x M6x16 Screw

N



26 x M6x10 Screw

O



22 x ST4.8x16 Screw

P



4 x ST3.5x16 Screw

Q



4 x M6x8 Screw

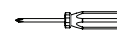
Tools:



1 x M6 Allen Key



1 x M4 Allen Key



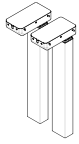
Screwdriver
(not included)

Klass 90° Workstation

Assembly Instructions

STEP 1:

B



2 x Column

E



2 x Telescopic Frame

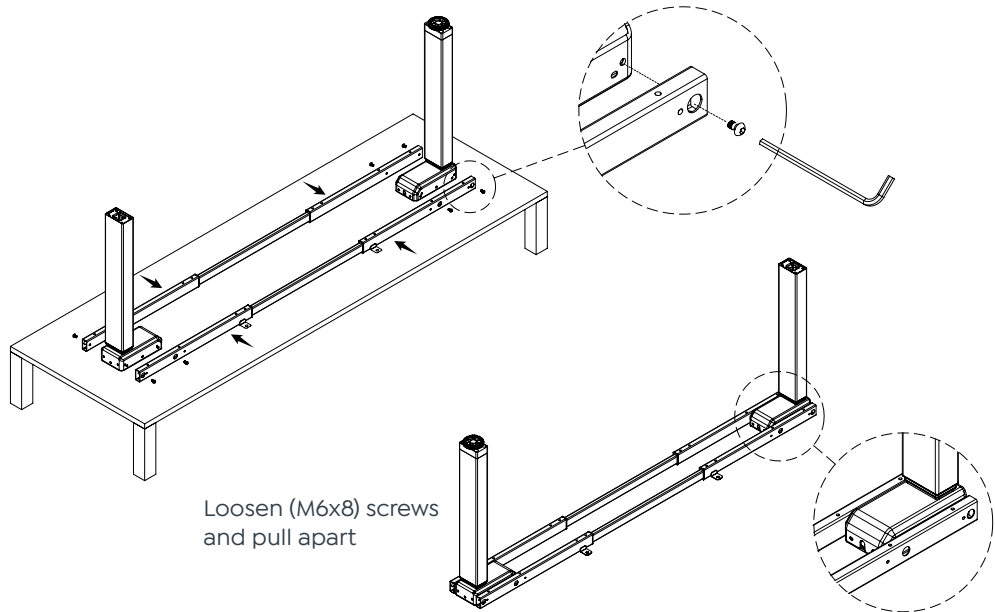
N



8 x M6x10



1 x M5 Allen Key



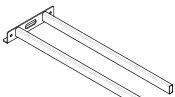
Loosen (M6x8) screws
and pull apart

Helpful Tips:

Install the column with levelling pad in the middle leg.

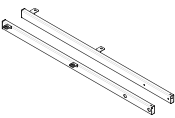
STEP 2:

F



1 x Short Girder

G



2 x Rail

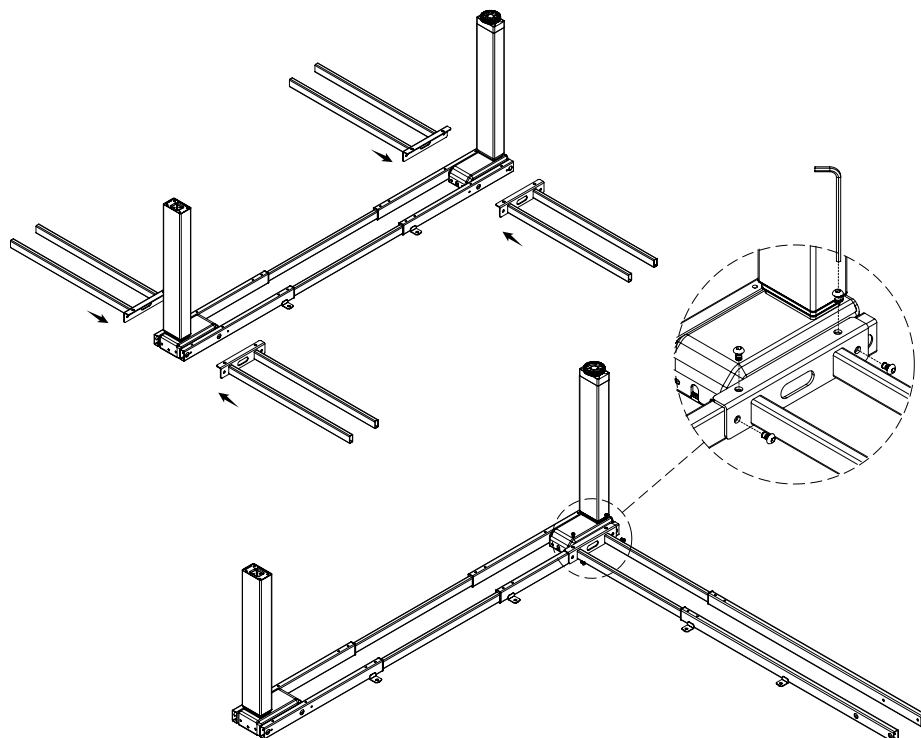
N



4 x M6x10



1 x M5 Allen Key



Helpful Tips:

You can chose any of the 4 available positions to install the return depending on the desk configuration.

Klass 90° Workstation

Assembly Instructions

STEP 3:

D



1 x Column w/
Leveling Pad

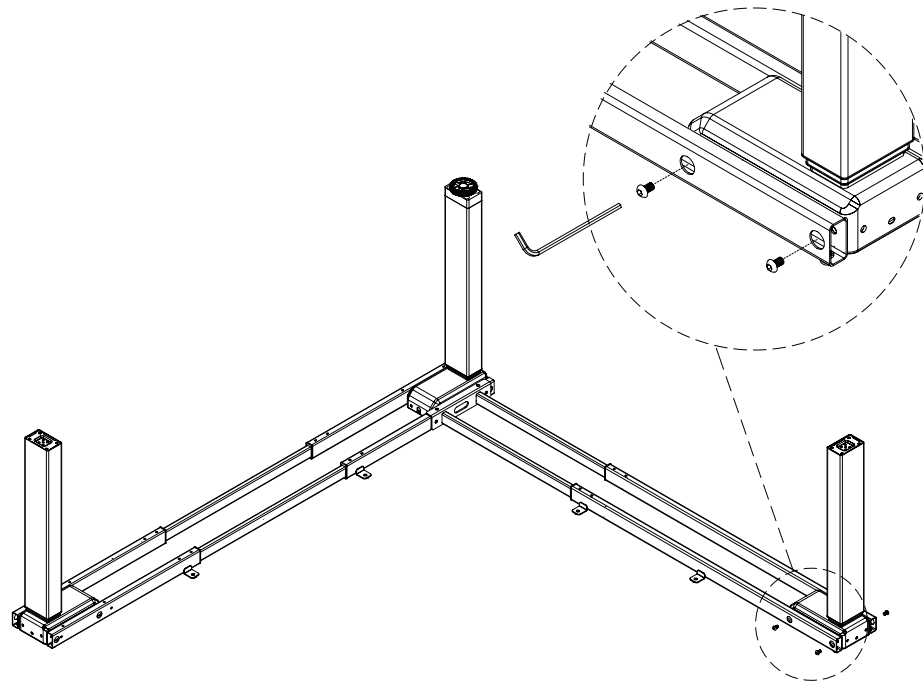
S



8 x M6x10

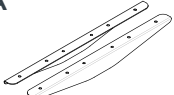


1 x M5 Allen Key



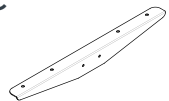
STEP 4:

A



2 x Inside Bracket

C



1 x Outside Bracket

N



2 x M6x10

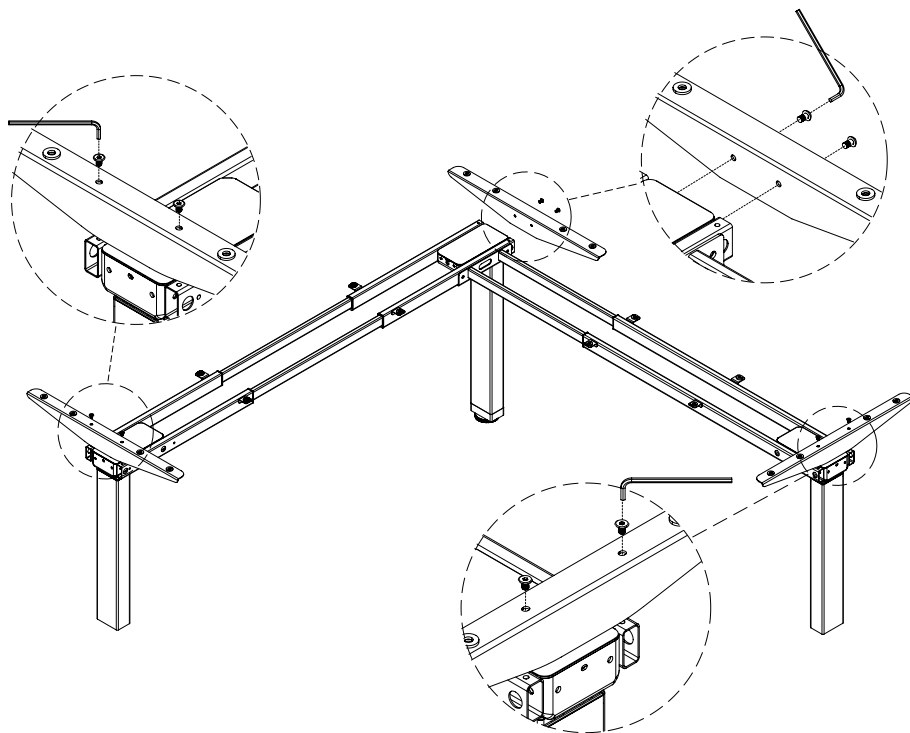
Q



4 x M6x8



1 x M5 Allen Key



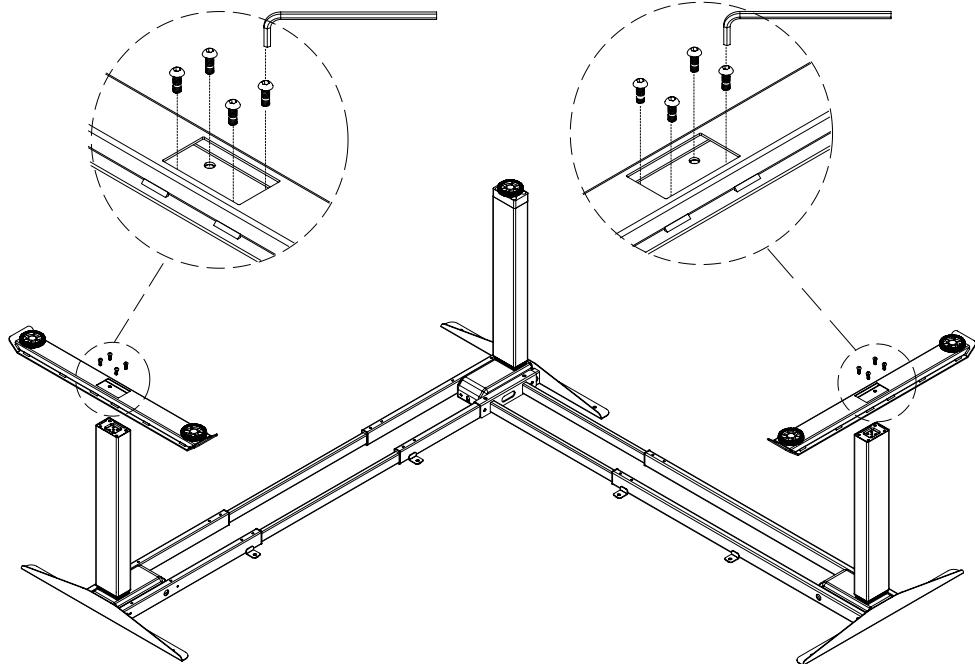
Helpful Tips:

Fix the side bracket with M6x8 screws, then put the washers beside M6x8 screws.

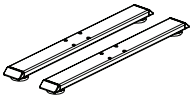
Klass 90° Workstation

Assembly Instructions

STEP 5:



H



2 x Foot

M



8 x M6x16

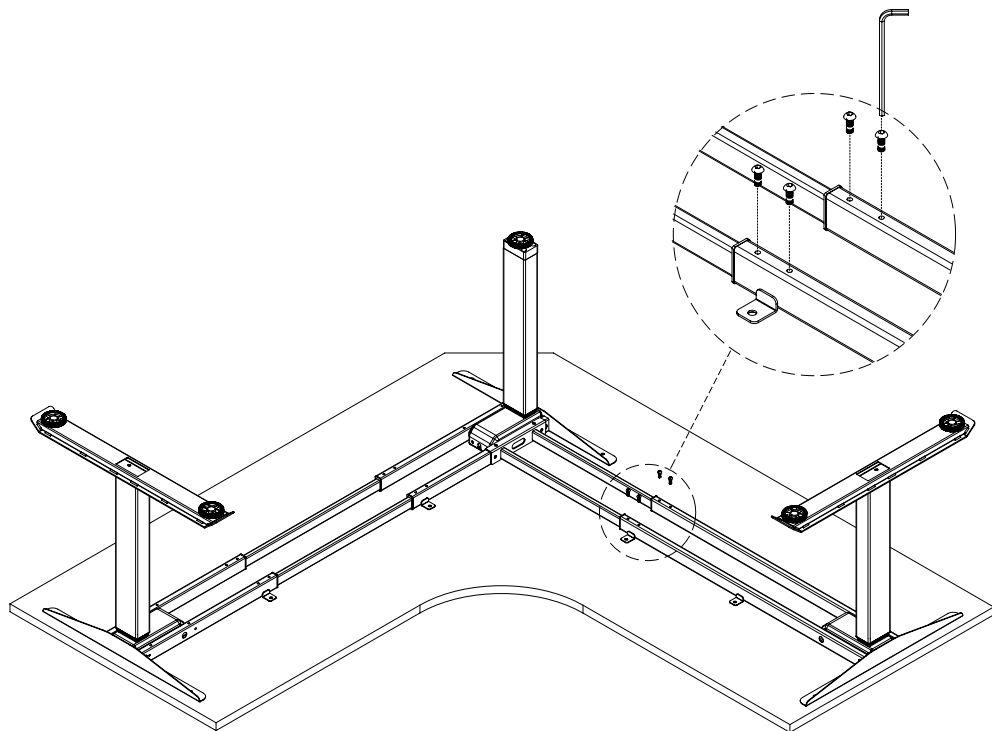


1 x M5 Allen Key

Helpful Tips:

If you are installing a Klass Cable Tray on the workstation, you may need to swap the foot plate on the corner leg for a foot to get the configuration shown, and the lugs facing out from the main desk.

STEP 6:



N



4 x M6x10

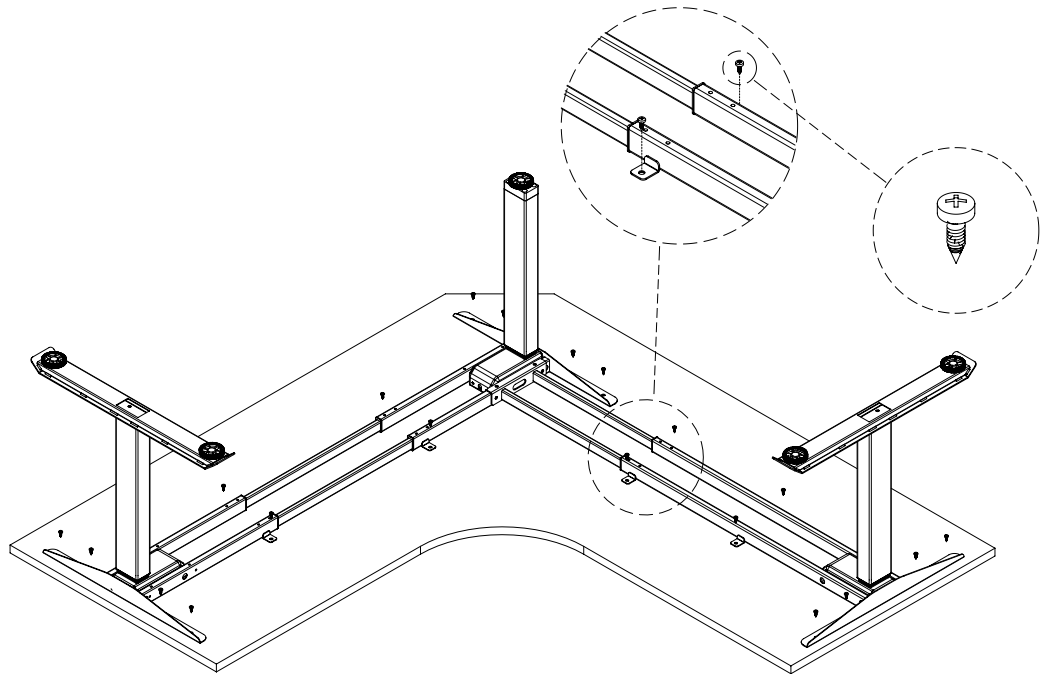


1 x M5 Allen Key

Klass 90° Workstation

Assembly Instructions

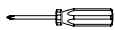
STEP 7:



O

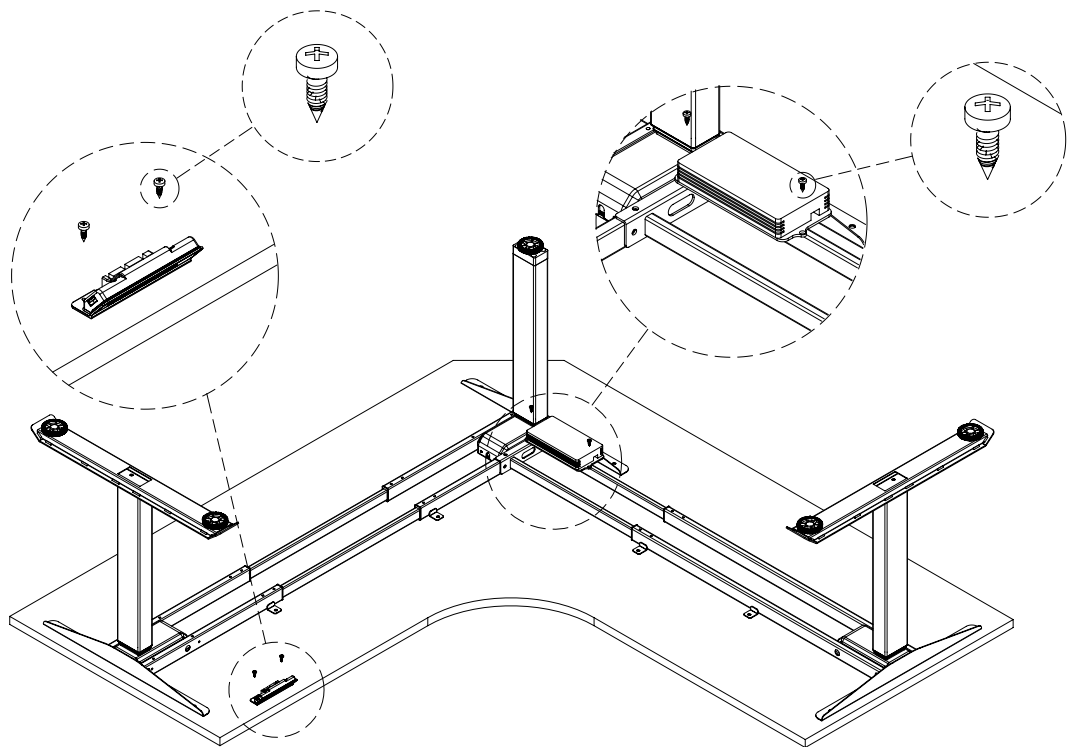


20 x ST4.8x16 Screw

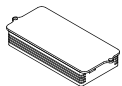


Screwdriver
(not included)

STEP 8:

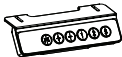


J



1 x Control Box

I



1 x Switch

O



2 x ST4.8x16

P



2 x ST3.5x16

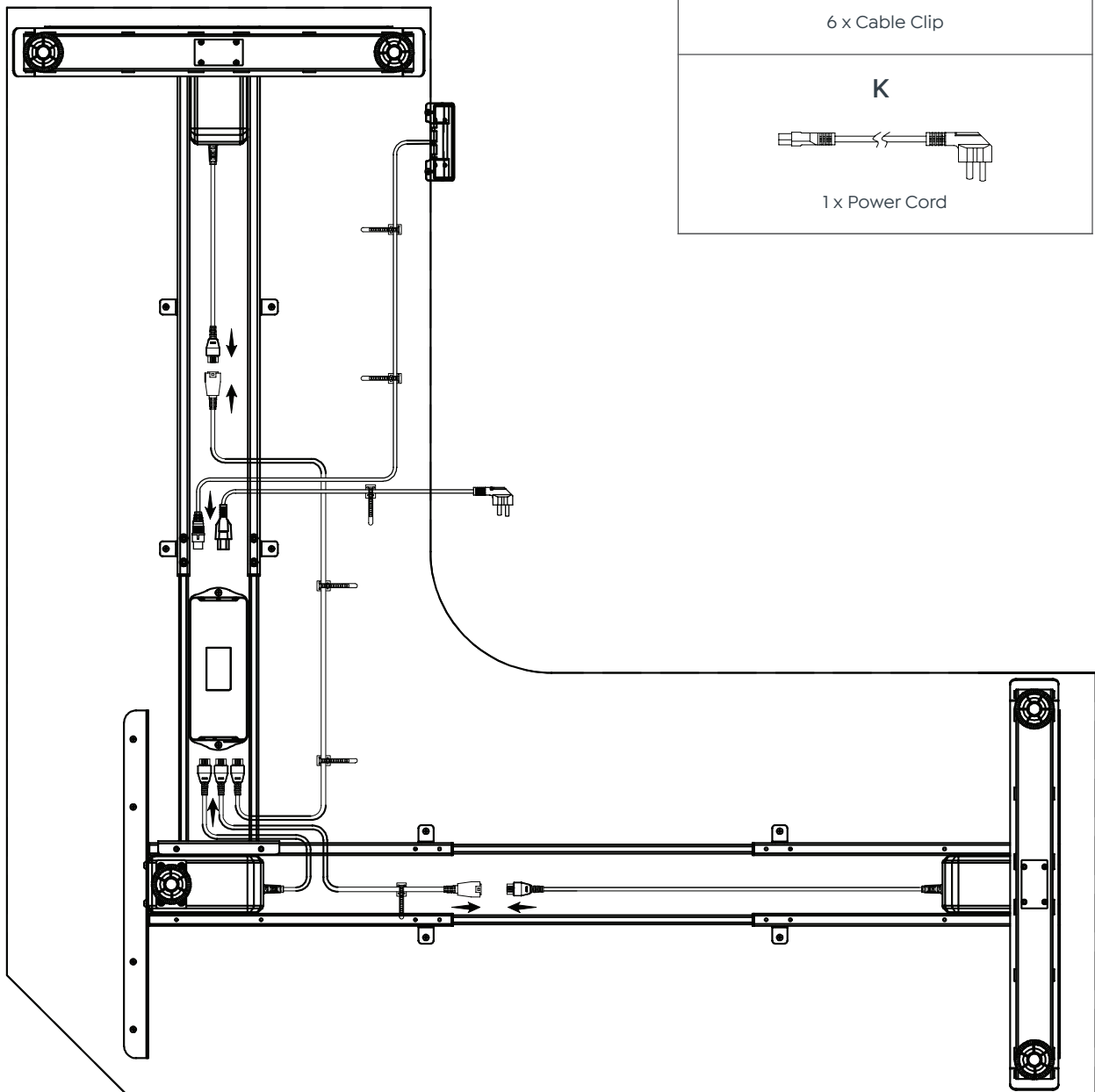


1 x M5 Allen Key

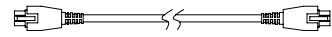
Klass 90° Workstation

Cable Connection

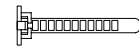
STEP 9:



L

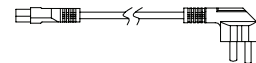


1 x Extension Cable



6 x Cable Clip

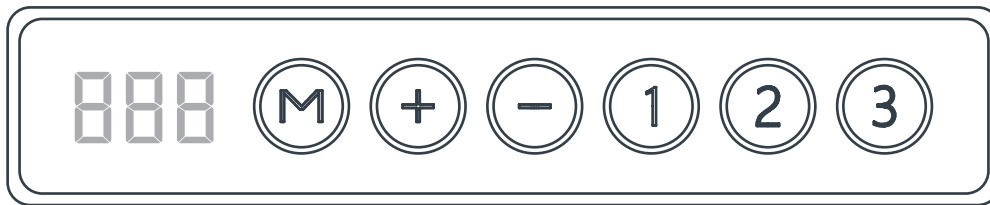
K

























1 x Power Cord

Klass 90° Workstation

Direction for Use



MANUAL RESET		<ul style="list-style-type: none"> It is necessary to be reset manually after the initial installation and power off.
	<ul style="list-style-type: none"> Keep pressing down key until the desktop until display shows “E-1” and “rES” alternately and release the key. 	
	<ul style="list-style-type: none"> Keep pressing down key, the desktop will move slowly down and return back until the display shows “063”. 	
	<ul style="list-style-type: none"> Release the key, the height-adjustable desk can be used normally. 	
<ul style="list-style-type: none"> Note: The anti-collision function is not enabled during all resets. Please note that there is a potential risk of pinching in this case, and be sure no obstacles in the desk's path. 		
UP AND DOWN		
	<ul style="list-style-type: none"> Keep pressing up key until the required height is reached. 	
	<ul style="list-style-type: none"> Keep pressing down key until the required height is reached. 	
SAVING POSITION		<ul style="list-style-type: none"> Press and hold the memory key until the columns have reached the desired memory position.
	<ul style="list-style-type: none"> Adjust the desktop to the height you want to save. 	
	<ul style="list-style-type: none"> Press “M” key, until the display will show “S --” 	
	<ul style="list-style-type: none"> Press “1”, and the display will show alternately as “S-1” and the desktop height. 	
	<ul style="list-style-type: none"> Press “M” key, the first memory position is set successfully. Similar process for 2 and 3 memory positions. 	
ANTI-COLLISION FUNCTION		<ul style="list-style-type: none"> Before use, please make sure removing obstacle in advance and human body is in the safe position.
	<ul style="list-style-type: none"> Once the desktop encounters any obstacle in its path, the screen displays “E-2”. 	
	<ul style="list-style-type: none"> The desktop will move a defined distance in opposite direction, and it would be used normally after removing the obstacle. 	

SET MINIMUM AND MAXIMUM HEIGHT	
	<ul style="list-style-type: none"> • Keep pressing the key “M” for 3 seconds until the display shows “S--” to enter setup menu.
 	<ul style="list-style-type: none"> • Press up key until the display flash as “HLP”.
 	<ul style="list-style-type: none"> • Press “1”, the display show alternately as “H-P” and current height.
 	<ul style="list-style-type: none"> • Keep pressing up or down key until the required upper limit position is reached.
	<ul style="list-style-type: none"> • Press “M”, the desktop height will be showed and the shelf stop position has been set.
 	<ul style="list-style-type: none"> • Press “2”, the display will show alternately “L-P” and current height, keep pressing down key until the lower limit position is reached, press M, the container stop position has been set.
<ul style="list-style-type: none"> • Note: By this function would be used to limit the movement area of desktop, when the container is underneath or any shelf above the desktop. Once it is set, the new upper or lower limitation position will be stored. 	
CHANGE THE DISPLAY UNIT(cm/inch)	
	<ul style="list-style-type: none"> • Keep pressing up key “M” until the display show “S--” to enter the setup menu.
 	<ul style="list-style-type: none"> • Press “up” key, the display will show “Unt”.
	<ul style="list-style-type: none"> • Press “1”, and the display will show alternately as “Unt” and the desktop height unit by “cm”.
	<ul style="list-style-type: none"> • Press “M” key to save the unit as cm.
	<ul style="list-style-type: none"> • Press “2”, and the display will show alternately as “Unt” and the desktop height unit by “inch”, press the key “M” to save the unit as inch.
AMEND THE DESKTOP HEIGHT DISPLAYED	
 	<ul style="list-style-type: none"> • Keep pressing down key until the desktop until display shows “E-1” and “rES”.
	<ul style="list-style-type: none"> • Keep pressing key “M” until the display show “Ur” and “OFF” alternately.
 	<ul style="list-style-type: none"> • Keep “Up” or “Dn” several times, until the display show “End” and height. (In this case, the unit is mm or inch when this system’s metric or imperial)
  	<ul style="list-style-type: none"> • Press “1”,”2” and “3” respectively, and to adjust the first number, the second number and the third number. If you click one, the number will increase by 1, until you get to the value you want.
	<ul style="list-style-type: none"> • Press “M” the height has been changed to defined digit.
<ul style="list-style-type: none"> • Note: The function enables you to change the height shows on the display based on the actual measurement. 	

Klass 90° Workstation

Direction for Use

CHANGE THE DISPLAY UNIT(cm/inch)		<ul style="list-style-type: none"> The function can detect whether the motors are collected normally.
E-3 rES	<ul style="list-style-type: none"> Once the display shows “E-3” and “rES”, it reminds you check whether any motors fail connected with control unit. Please connect the main cable again, wait at least 5 seconds. 	
	<ul style="list-style-type: none"> Collect all the plugs. 	
rES	<ul style="list-style-type: none"> Follow manual reset procedure. 	
RESET TO FACTORY SETTING		<ul style="list-style-type: none"> With this function, you can make the control unit to factory setting.
M	<ul style="list-style-type: none"> Keep pressing “M” until the display shows “FAC”. 	
	<ul style="list-style-type: none"> Press “M”, and the control unit to factory setting (including memory position, container - and shelf - stop position, etc). 	

CODE MEANING		
Code	Information	Operating
rES	Manual resetting	Refer to the progress of manual reset
ovr	Overloading	Remove the load on desktop till it less than 800N (175 LBS) for further operation
E-2	Anti-Collision function	It can be used normally after removing the obstacle
dut	Operated continuously without suitable rest	Make the desk rest around 15min for further operation

Klass 90° Workstation

Direction for Use

TROUBLE SHOOTING	
Code	Operating
E-4 / The height between two legs exceed 1 inch	Stop the operation and reset, refer to Manual reset
E-3	Check the cables and ensure they are well connected, and the height-adjustable desk can be used normally after manual reset

TECHNICAL DATA	
Item	Data
Input voltage	100-240VAC
Output voltage	24VDC
Max loading	1000N
Height range (without desktop)	595 – 1245
Duty cycle	2 min on / 18 min off



Sydney 02 8188 2732
Melbourne 03 9111 0315
Brisbane 07 3733 1923
Adelaide 08 7111 0810
Perth 08 9468 2707

info@olgoffice.com

myolg.online | olgoffice.com | officedesigner.net | motionoffice.com