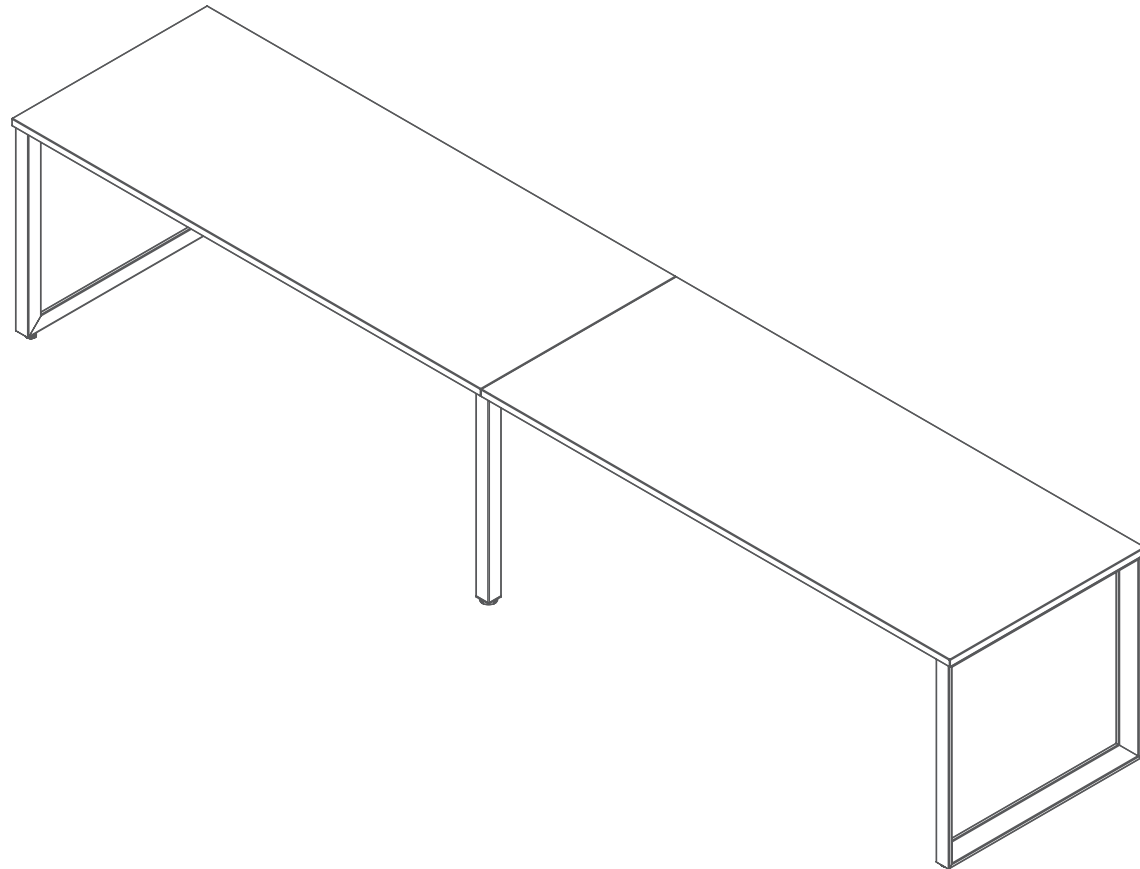


OLG

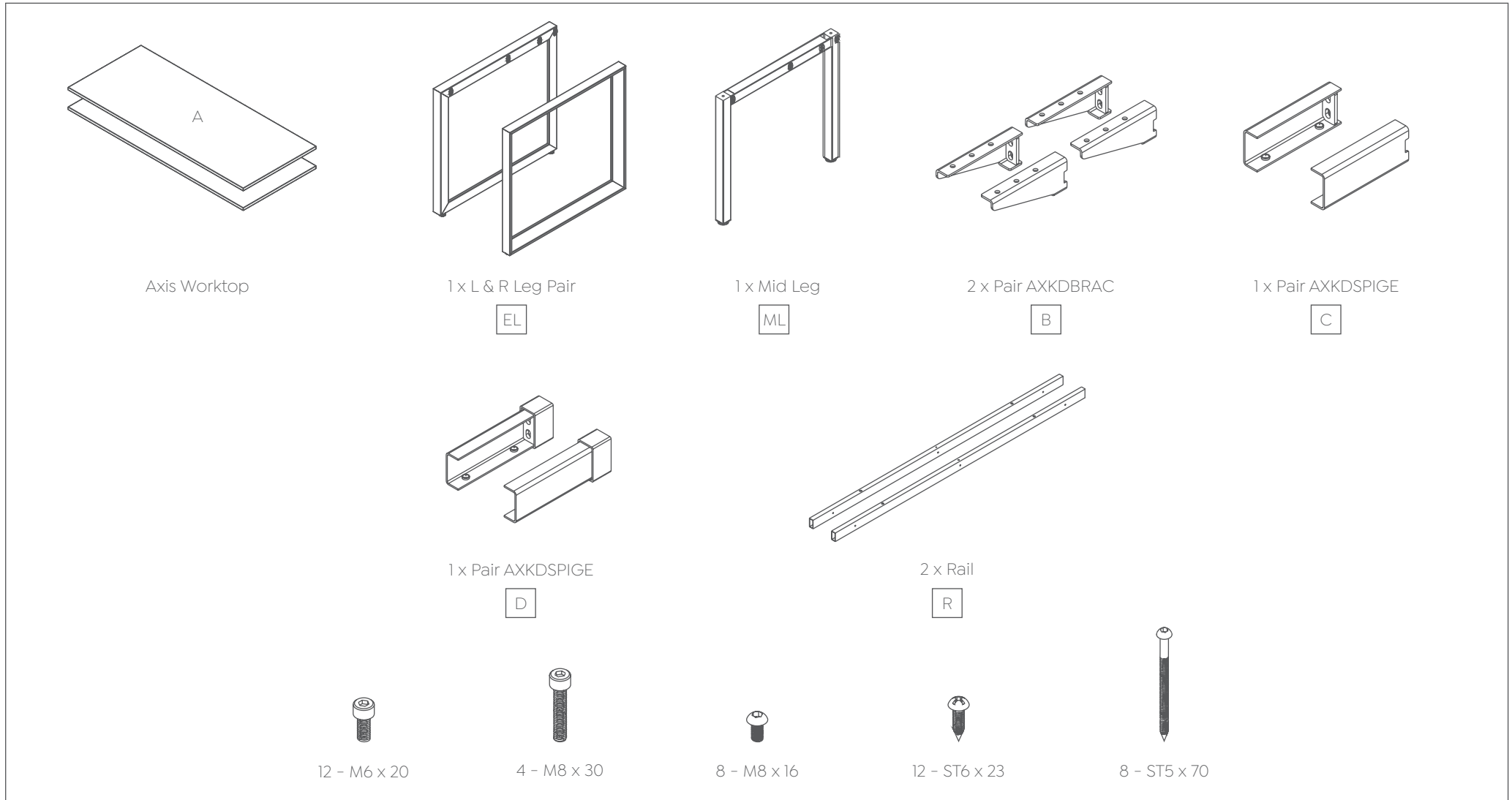


Anvil 2-User Single Sided Workspace

Assembly Instructions

Anvil 2-User Single Sided Workspace

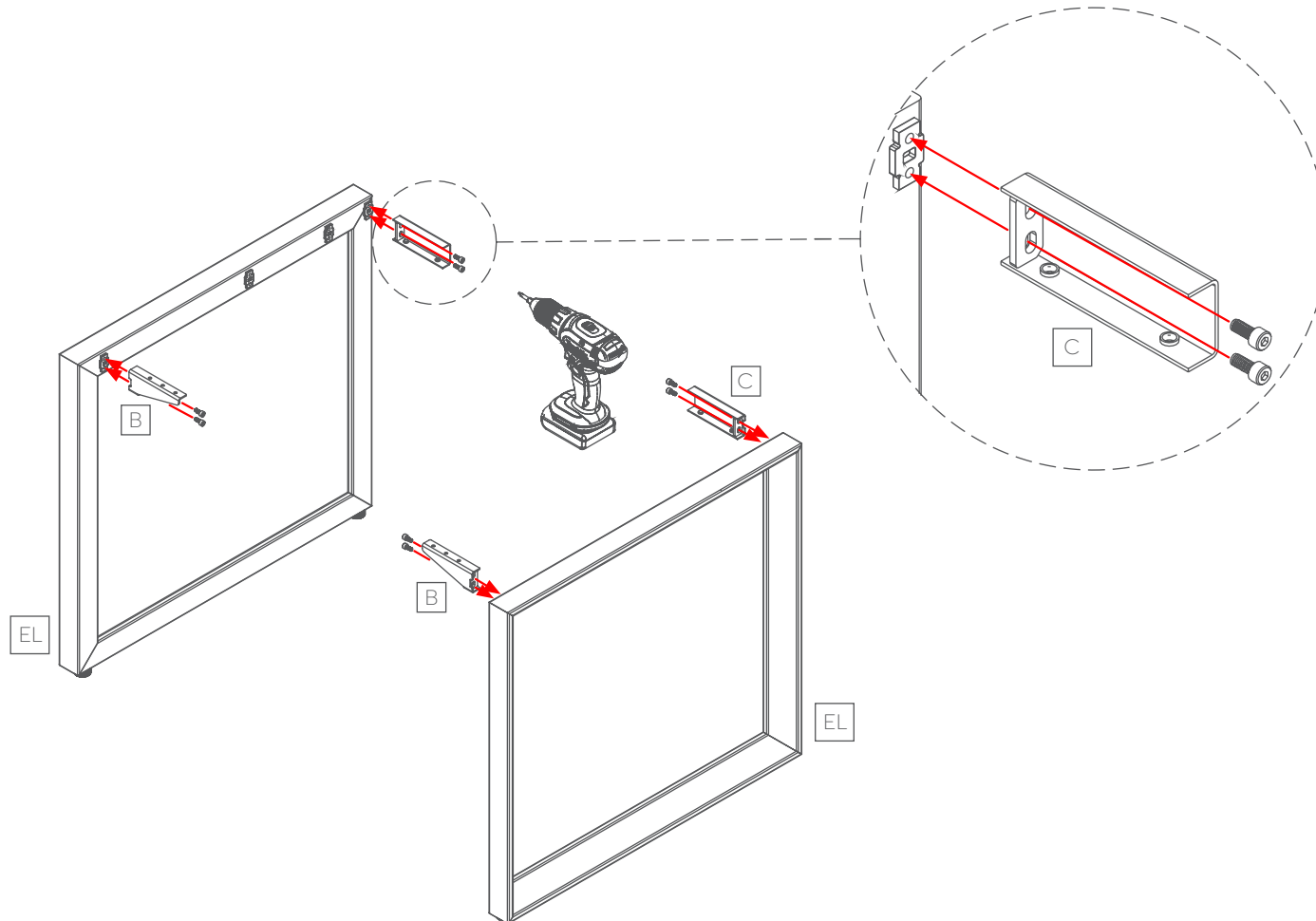
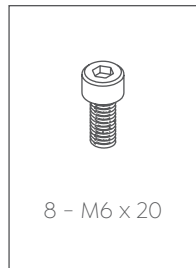
Components List



Anvil 2-User Single Sided Workspace

Assembly Instructions

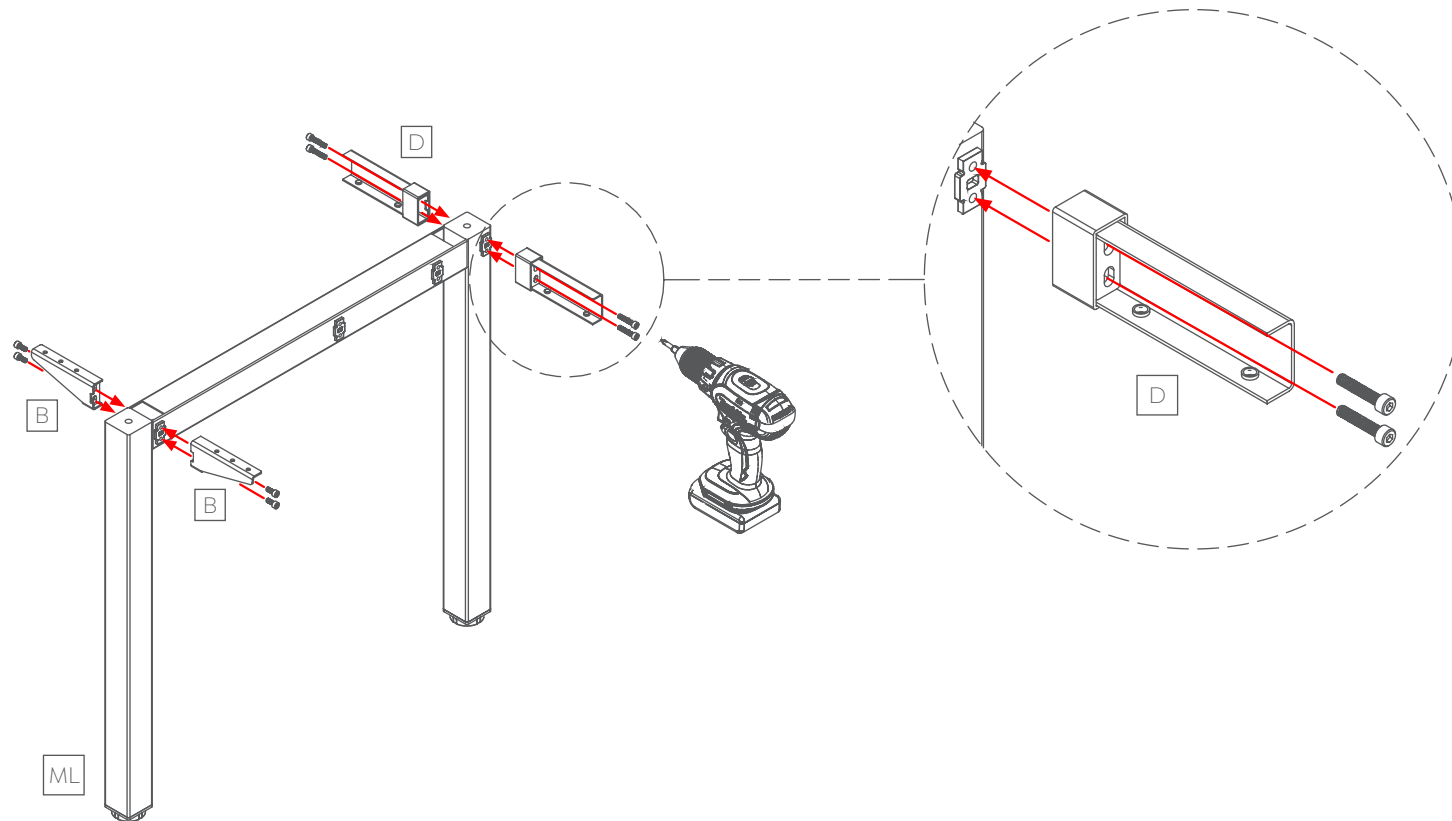
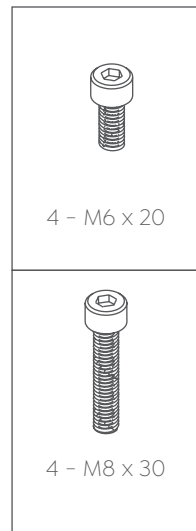
STEP 1:



Anvil 2-User Single Sided Workspace

Assembly Instructions

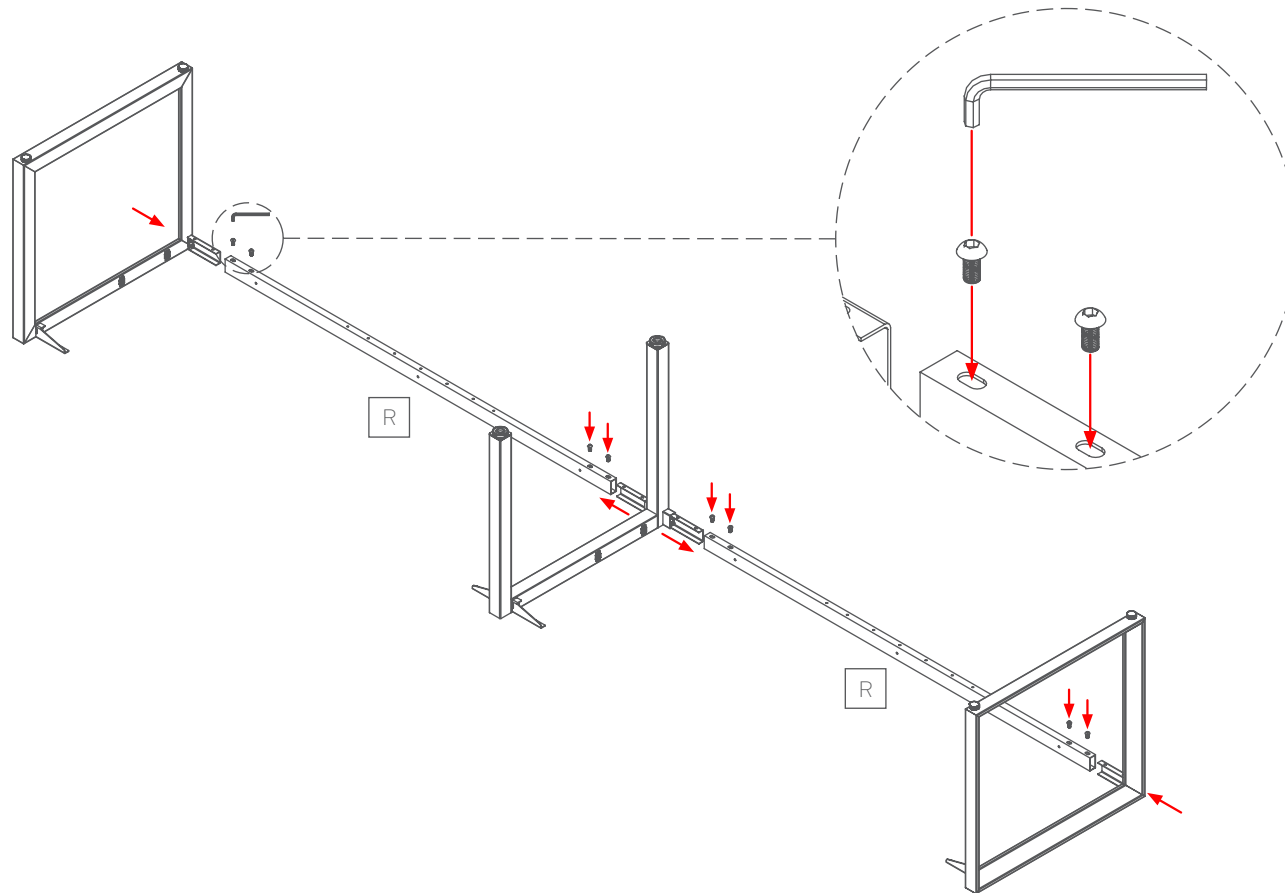
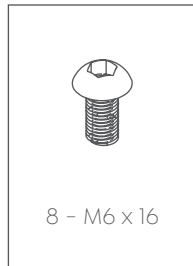
STEP 2:



Anvil 2-User Single Sided Workspace

Assembly Instructions

STEP 3:



Anvil 2-User Single Sided Workspace

Assembly Instructions

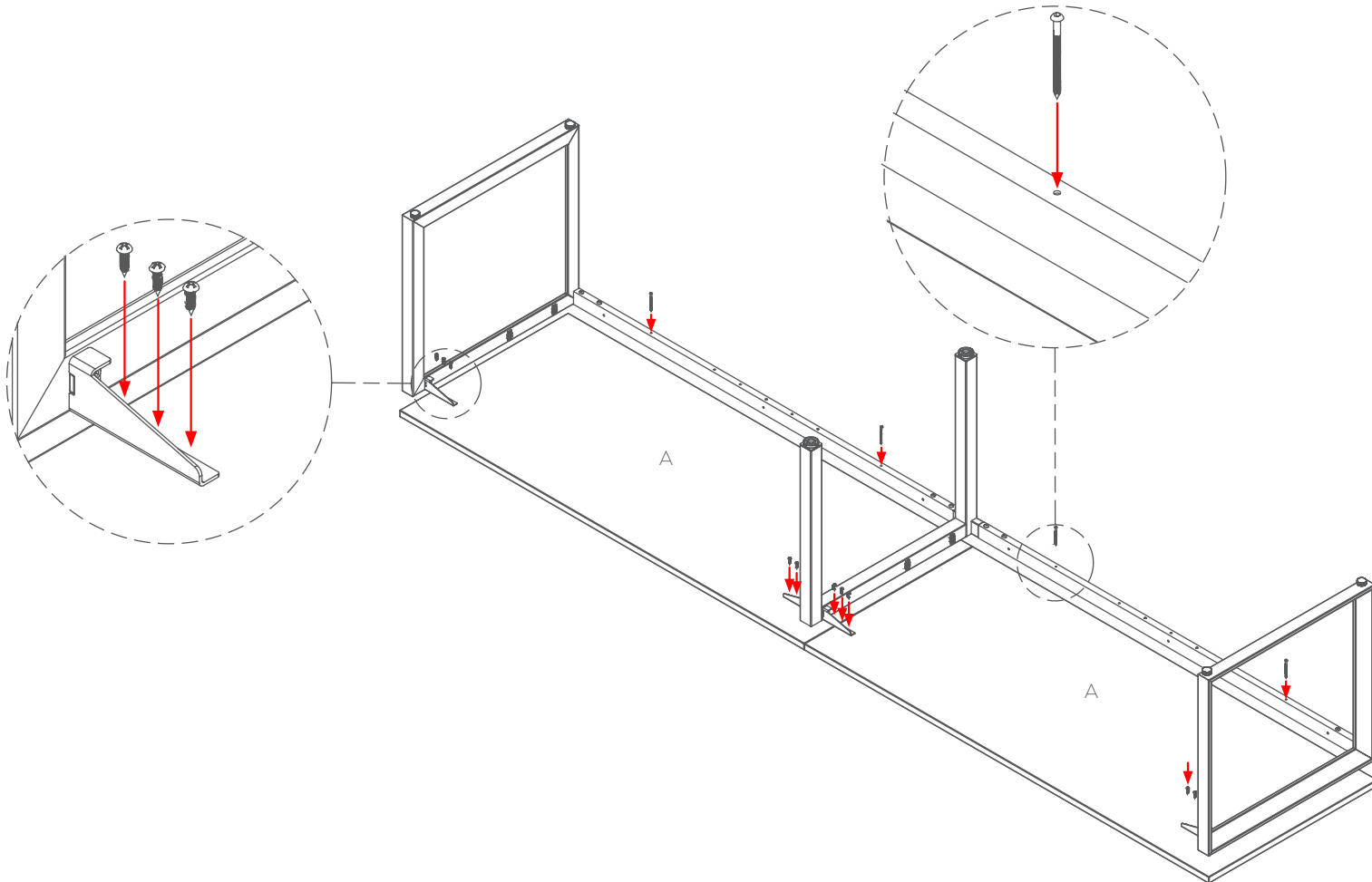
STEP 4:



12 - ST6 x 23



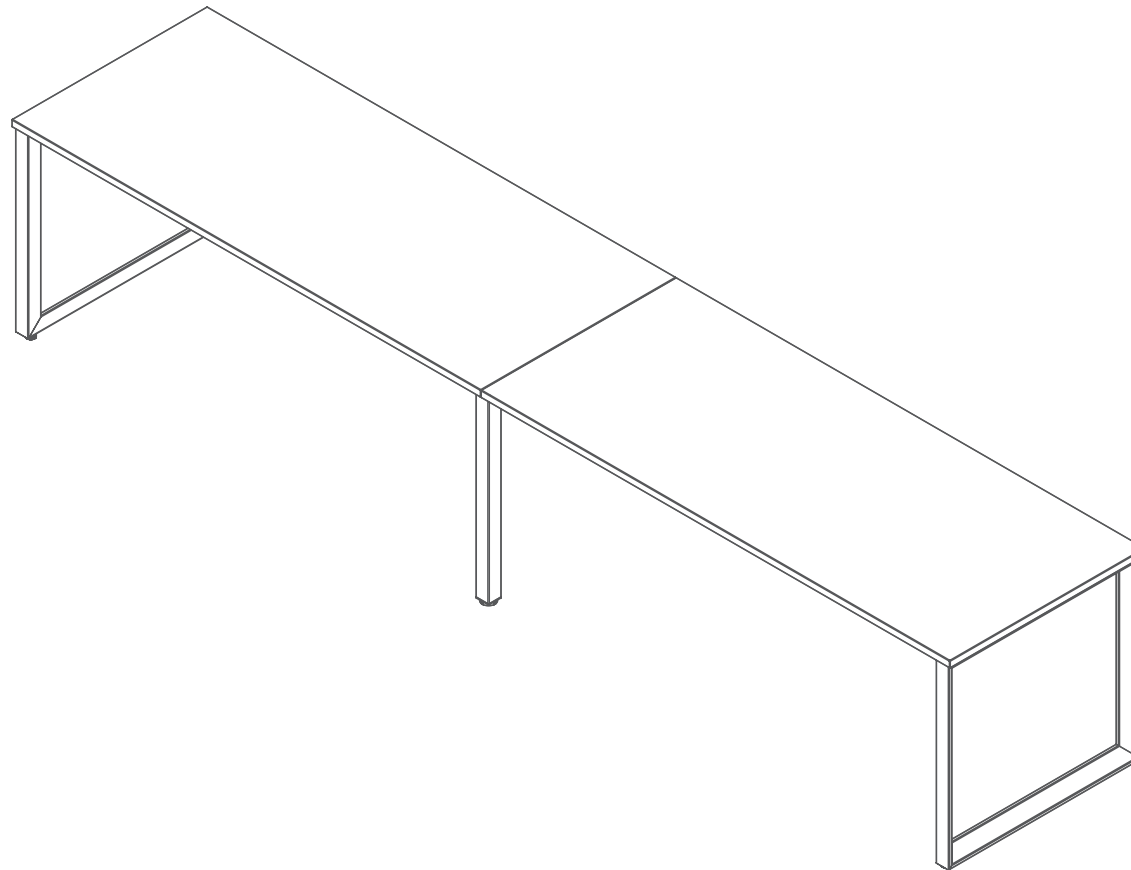
4 - ST5 x 70



Anvil 2-User Single Sided Workspace

Assembly Instructions

Complete:





Sydney 02 8188 2732

Melbourne 03 9111 0315

Brisbane 07 3733 1923

Adelaide 08 7111 0810

Perth 08 9468 2707

info@olgoffice.com

myolg.online | olgoffice.com | officedesigner.net | motionoffice.com